

User Instruction Manual

Oxford® Advance

To avoid injury, read user manual prior to use.

Manuel de l'utilisateur

Oxford® Advance

Afin d'éviter tout accident, veuillez lire attentivement la notice avant utilisation.

Manual de Instrucciones

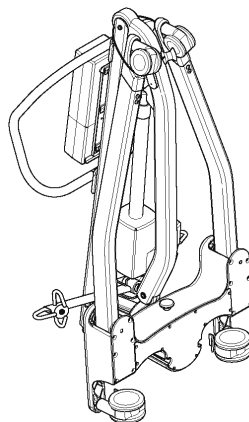
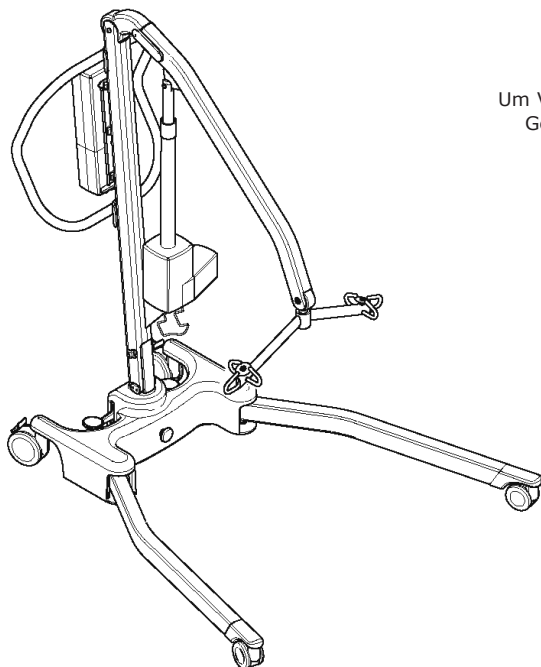
Oxford® Advance

Para evitar posibles daños, lea previamente el manual de usuario.

Benutzerhandbuch

Oxford® Advance

Um Verletzungen zu vermeiden, lesen Sie bitte die Gebrauchsanweisung vor der ersten Benutzung.

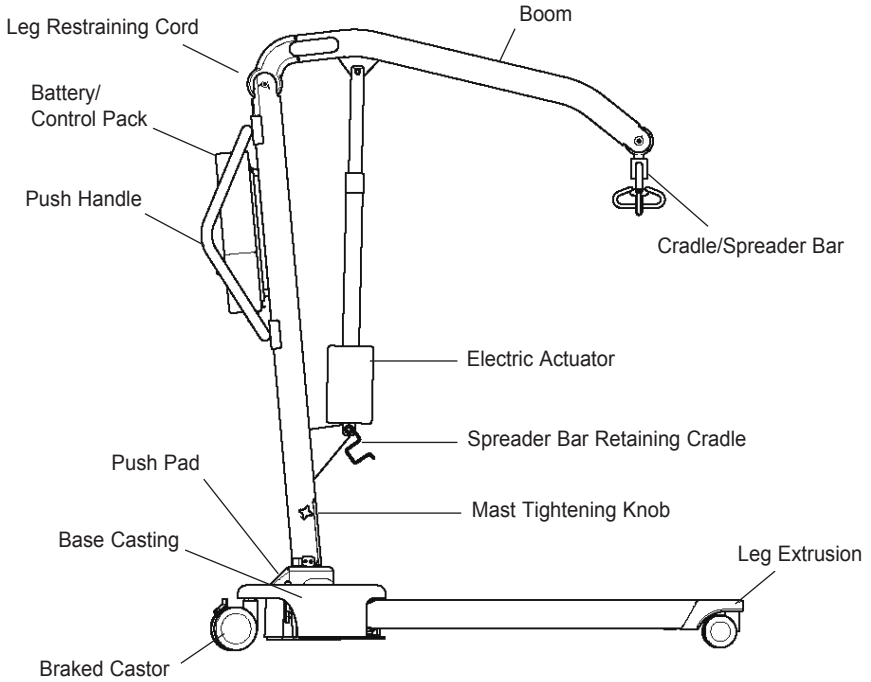


Contents

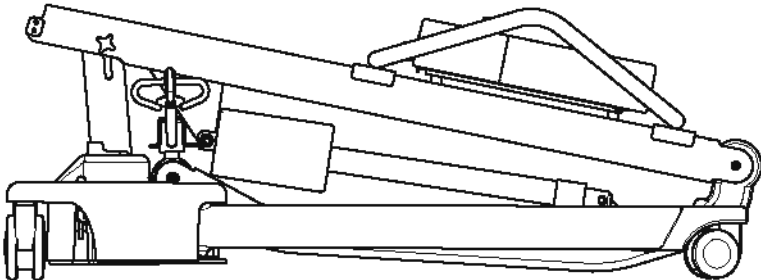
1. Oxford Advance Patient Lift	3
2. Introduction: The Oxford Advance Patient Lift	4
3. Assembly and Commissioning Instructions	5
4. Disassembly	7
5. Safety Precautions	10
6. Smart Monitor & Handset.....	12
7. Operating Instructions	16
8. Maintenance Schedule.....	20
9. Technical Specifications.....	22
10. Warranty.....	25

1. The Oxford Advance Patient Lift

Oxford Advance lift (ready for use)



Oxford Advance lift (storage position)



2. Introduction: The Oxford Advance Patient Lift

Each lift is fully assembled, load tested and certified before being packed/shipped.

The packing consists of a strong, purpose built carton and is used for both export and domestic markets to ensure the safe arrival of the lift. A number of documents are supplied in a wallet packed with each lift and should be kept safely for future reference.

- TEST CERTIFICATE
- DEALER GUARANTEE CARD
- USER MANUAL
- CUSTOMER SATISFACTION CARD

The TEST CERTIFICATE is an important document and should be kept for reference purposes. To properly maintain your lift please refer to the maintenance schedule included in this document. If you are at all unsure what your country's servicing requirements are, please check with your dealer and/or a local government agency.

The CE mark: The Oxford Advance carries the CE mark and complies with the following EC directives:



- Medical Device Directive (93/42/EEC)
- EMC Directive (89/336/EEC)
- Low Voltage Directive (73/23/EEC)

Statement of Intended Use

The intended use of this lifting device is for the safe lifting and transfer of an individual from one resting surface to another (such as a bed to a wheelchair). Joerns Healthcare recommends that the transfer of a patient is fully risk assessed and conducted safely over a short distance only.

The Oxford Advance is suitable for patients in the SITTING, SITTING/RECUMBENT and RECUMBENT positions.

The Oxford Advance is designed to support and promote safe patient handling and transfer for both the patient and carer. It can be folded without the use of tools enabling it to be easily stored in environments where space is limited. The Oxford Advance can also be separated into two sections to facilitate onward transportation in a vehicle with a suitably sized boot.

The Oxford Advance patient lift incorporates a 6-point spreader bar and is designed to be used in conjunction with the Oxford range of slings. The examples of slings suitable for use with this device are listed as follows:

- Oxford Quickfit
- Oxford Full Back
- Oxford Quickfit Deluxe
- Oxford Long Seat
- Oxford Access sling
- Oxford Silkfit

Expected Service Life

Oxford Professional lifts are designed and tested for a minimum service life of ten (10) years, subject to the use and maintenance procedures stated in this manual. Use, other than in accordance with these instructions, may compromise service life.

3. Assembly and Commissioning Instructions

Carton Contents

Place the carton in a clear working area and open carefully. The carton contains:

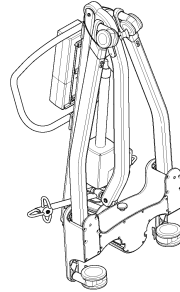
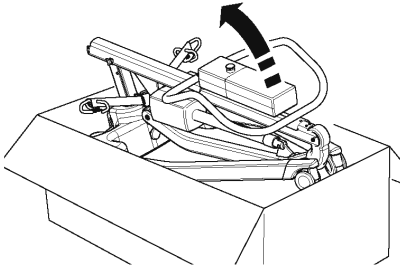
- OXFORD ADVANCE
- WALLET CONTAINING DOCUMENTS
- HAND CONTROL
- BATTERY PACK
- BATTERY CHARGING LEAD

SAFETY NOTE: The Oxford Advance is heavy and will need to be lifted with care. You may need assistance to lift the Oxford Advance from the carton.

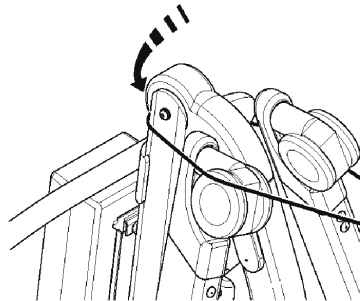
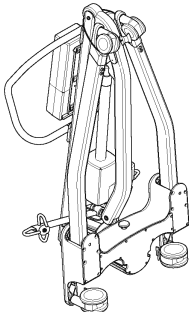
Assembly Instructions

1. Remove all the parts from the carton and place on the floor, taking care to protect the finish from damage.

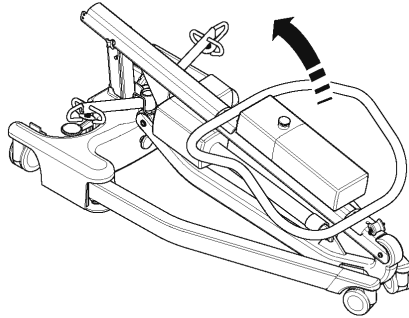
Lift the Advance carefully from the carton. Stand the lift in the upright position (in a triangular stance).



2. Release the leg and mast assembly by unfastening the restraining strap from the wheels. This strap will retract neatly into the top of the mast section.

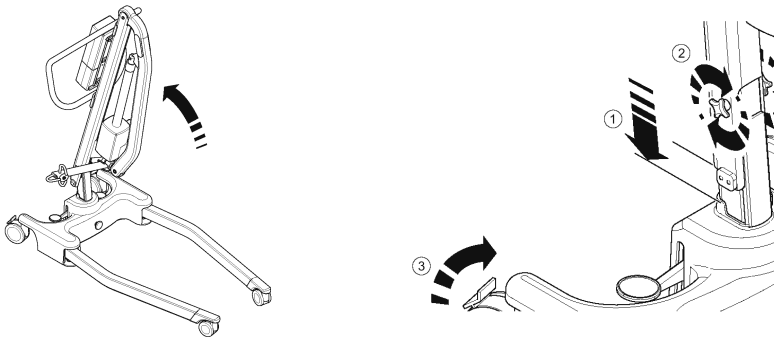


3. Lay the Advance flat on the floor (ensure rear castors are securely locked).

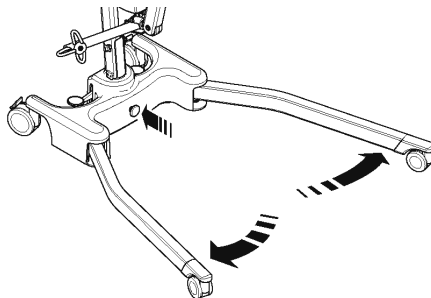


4. Lift the mast assembly upright (using the top of the push handle), and drop the mast into the slot, aligning the mast engagement decals (1), tighten mast lock knobs (2), release braked castors (3).

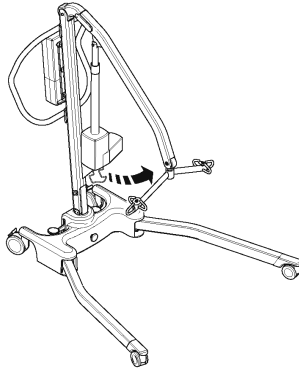
SAFETY NOTE: Avoid trapping fingers. Keep fingers away from the end of the mast when inserting into the mast slot. Ensure the mast is fully engaged before tightening the mast locking device.



5. Open legs fully. ENSURE leg-locking knob inserts flush against the base casting and the legs will no longer move freely. The legs will then only operate by the use of the foot pedal mechanism located at the rear of the base.

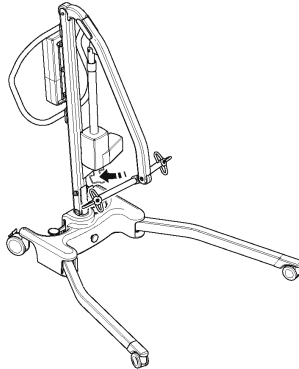


6. Release spreader bar from retaining cradle, and the lift is ready for operation.

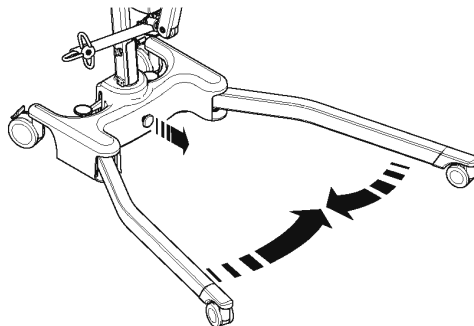


4. Disassembly

1. Lower the mast to the lowest possible position, then insert spreader bar into retaining cradle.

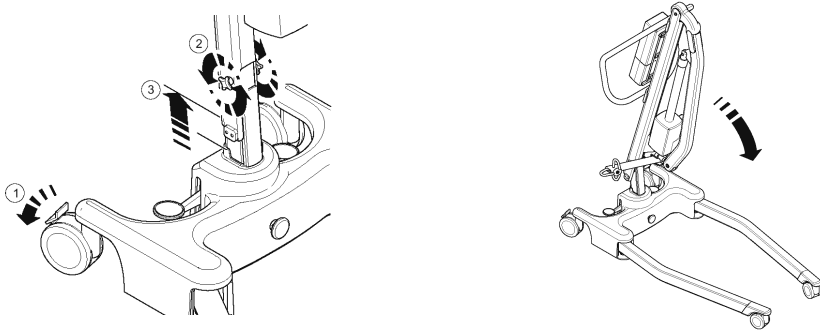


2. Release leg-locking device (pulling it away from the cast base), close legs tightly together.

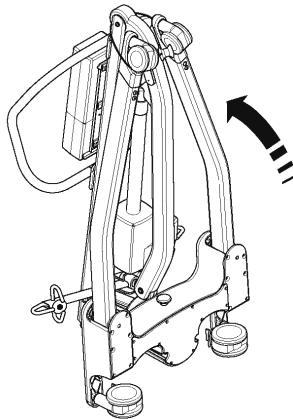


3. Loosen mast locking device (2 - not fully) lift the mast and boom assembly (3), and fold carefully toward the legs. Use the push handle to assist this motion.

NOTE: If you wish to separate the mast and boom completely from the base and legs, undo the mast locking device fully (remove) and lift the mast and boom completely free from the base. Be careful not to lose the mast lock device's knob and location spindle.

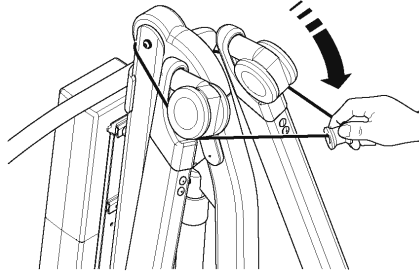


4. Lift the folded Advance upright (using the legs and push handle as a guide) being careful that the mast and boom stay together as you tilt upright.



5. Pull the restraining strap sharply upwards and extend over the wheels. (This will keep the legs, mast and boom neatly together during transit and storage).

NOTE: Care should be exercised when folding/unfolding an Advance as there is a possible danger of pinching the fingers etc. Please follow the instructions carefully and ask for assistance if you are unsure of the correct procedure.



ALWAYS CHECK THE FOLLOWING BEFORE OPERATION:

- The legs are fully engaged from the stowed position (see assembly instructions, step 5)
- The mast is fully locked into position with mast engagement decals correctly aligned (see assembly instructions, step 4).
- The legs of the lift open and close satisfactorily.
- The red emergency stop button, located on the rear of the control box, is in the OFF (out) position.
- Push the up and down buttons on the hand control and confirm the boom rises and lowers.
- Fit the power pack to the lift and make sure the latch holding the pack in place is fully engaged. "Click" in place.

5. Safety Precautions

Please read and follow the safety precautions listed below. The operation and use of Oxford patient lifts is simple and straightforward. Following these few basic safety precautions will make lifting operations easy and trouble free.

READ AND UNDERSTAND THE USER INSTRUCTION MANUAL BEFORE USING YOUR “ADVANCE” LIFT

WARNING: Important safety information for hazards that might cause serious injury.

CAUTION: Information for preventing damage to the product.

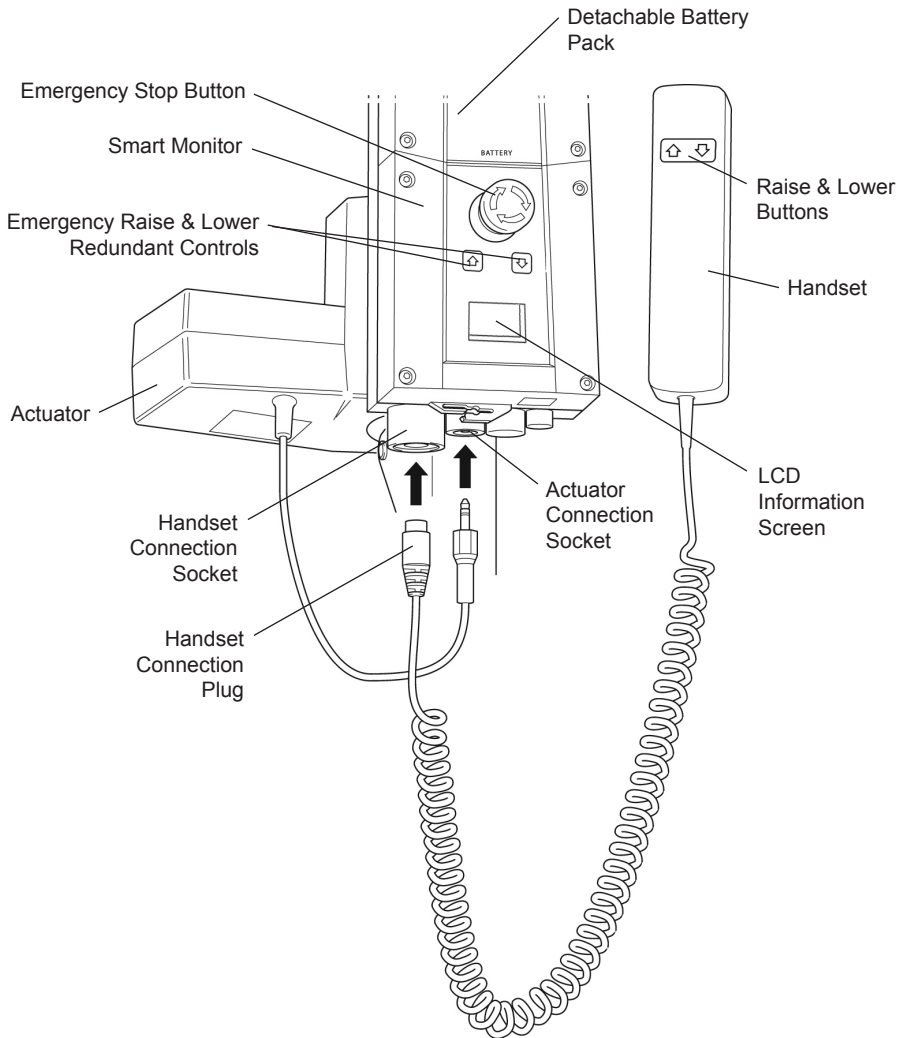
NOTE: Information to which you should pay special attention.

WARNING

- **ALWAYS** plan your lifting operations before commencing.
- **ALWAYS** carry out the **DAILY CHECK LIST** (page 16) before using the lift.
- **ALWAYS** familiarise yourself with the operating control and safety features of a lift before lifting a patient.
- **DO NOT** use a sling unless it is recommended for use with the lift.
- **ALWAYS** check the sling is suitable for the particular patient and is of the correct size and capacity.
- **NEVER** use a sling, which is frayed or damaged.
- **ALWAYS** fit the sling according to the instructions provided (user instructions).
- **ALWAYS** check the safe working load of the lift is suitable for the weight of the patient.
- **ALWAYS** carry out lifting operations according to the instructions in the user manual.
- **NEVER** disconnect or bypass a control or safety feature because it seems easier to operate the lift.
- **DO NOT** lift a patient with the castor brakes on. Always let the lift find the correct centre of gravity.
- **DO NOT** attempt to manoeuvre the lift by pushing on the mast, boom or patient.
- **ALWAYS** manoeuvre the lift with the handle provided.
- **ALWAYS** lower the patient to the lowest comfortable position before transfers.
- **DO NOT** push a loaded lift at speeds, which exceed a slow walking pace (3 Kilometers/hour 0.8 meters/second).
- **DO NOT** push the lift over uneven or rough ground. Particularly if loaded.
- **DO NOT** attempt to push/pull a loaded lift over a floor obstruction, which the castors are unable to ride over.
- **NEVER** force an operating/safety control. All controls are easy to use and do not require excessive force.
- The **MINIMUM** load required to manually lower the hoist using the mechanical emergency down function is 30 kg.
- **DO NOT** park a loaded lift on **ANY** sloping surface.
- **DO NOT** use electric lifts in a shower.

- **DO NOT** charge an electric lift in a bathroom or shower room.
- **DO NOT** lift a patient unless you are trained and competent to do so.
- **YOUR** lift is for patient lifting. **DO NOT** use it, or allow it to be used, for any other purpose.
- **DO NOT** bump the lift down steps, loaded or unloaded.
- **DO NOT** attempt to negotiate a loaded lift on a slope, which exceeds 1:12 (approximately 5 degrees).
- **DO NOT** attempt to negotiate a slope without a second helper being present.
- **ALWAYS** check the hoist is not charging before moving as the electrical connection may be damaged.

6. Smart Monitor & Handset



Intended Use

The Oxford Smart Monitor is a control system for Oxford Hoists. The Smart Monitor stores useful servicing information about the hoist that can be recalled when required. This servicing information includes:

- Number of patient lift cycles
- Total work done by actuator
- Number of lift overloads (attempted lifts above the safe working load)
- Number of days since last service interval

The Oxford Smart Monitor contains a microprocessor inside making it possible to read out service data via the on-board LCD screen.

Features

- Data collection in the control box with data display via LCD screen
- Work counter
- Intelligent cycle counter
- Service indicator
- Service interval indicator
- Overload information
- 3 step battery indicator




Benefits

- Improved safety for both patient and carer
- Accurate service data available at the touch of a button
- Optimised product life time
- Ease of maintenance for engineers and service technicians
- Fast and easy error identification

LCD Display Screen

The Oxford Smart Monitor has the option to read out information via the LCD display screen. It is possible to read out total lifting cycles, total work done, overloads and number of days since last service, which can be used to quickly and easily evaluate the condition of the lift actuator.

This information is accessed by a ½ second press on the 'UP' button on the User handset or redundant 'UP' button on the Smart Monitor.

	12034	— Total Lifting Cycles
A*S	1257000	— Total Work Done (Amps * Seconds)
	7	— Number of Overloads
	90/180	— Number of Days (since last service) / Number of Days (between services)

Service & Usage Information



When it is time for a service, the service symbol will appear on the display. In addition, when the user handset is activated, the Smart Monitor will give an audible signal giving notice to users that a service is required.

The service symbol will be displayed each time the raise or lower keys are depressed on the User handset. When the service symbol is displayed, contact your authorised service provider immediately to arrange a service.

You may continue to use your lift for a short period of time until a service has been carried out.

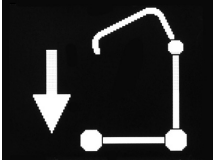


If the lift stops because of an overload (an attempt to lift more than the safe working load) the overload symbol will appear on the LCD display and the lift will cease to operate until the additional load (above the SWL) has been removed.

WARNING

If the LCD display screen on your Smart Monitor has recorded an overload, Joerns Healthcare recommend that ALL routine daily checks are carried out on the lift prior to further use (for a list of daily checks, please refer to your lift user manual). Joerns Healthcare also recommend that you contact your authorised Oxford service provider for additional guidance.

On-Board Redundant Controls

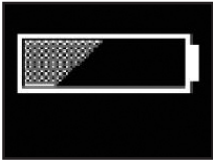


On-board redundant controls enable the lift to be raised or lowered in the event of an emergency.

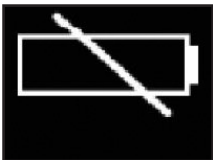
Battery Information



The display showing full battery means that the battery is fully charged and the lift is ready for use.



The display showing a half empty battery indicates that it is time to charge the battery.



The empty battery symbol showing on the display indicates that the battery has no capacity left and should be placed on charge immediately.

⚠ WARNING

To avoid possible permanent damage to the battery, the battery should be placed on charge as soon as the display indicates the half empty battery symbol.

7. Operating Instructions

1. Leg adjustment

The legs on the Oxford Advance are adjustable for width. The legs can be opened to enable access around armchairs or wheelchairs. For transferring and negotiating narrow doorways and passages the lift legs should be in the closed position.

To achieve the adjustment, the leg adjuster pedal, located at the rear of the base, is compressed right (DOWN) to open the legs outwards and left (UP) to close the legs. The adjustment can be carried out with the patient in the lift, but whether loaded or unloaded the adjustment should be made when the lift is moving.

WARNING

Never lift with the legs in the closed/transport position. The closed position is for storage and transport only.

2. Castors and braking

The lift has two braked castors, which can be applied for parking. When lifting, the castors should be left free and un-braked, so that the lift will then be able to move to the centre of gravity of the lift. DO NOT apply the brakes because if the brakes are applied the patient might swing to the centre of gravity and this may prove disconcerting and uncomfortable.

3. Raising and lowering the boom

The movement of the boom is achieved by a powerful electric actuator, which is controlled by a simple hand control unit. The hand control has two buttons with directional arrows UP and DOWN. The actuator stops automatically at the limit of travel in both directions. The hand control plugs into a socket at the base of the control box. There is a hook on the rear of the hand control, which allows it to be “parked” on the mast or boom when not in use.

4. Emergency stop

The red Emergency Stop Button is located on the rear of the control box and is activated by pressing in. This will cut all power to the lift and only be reset by twisting the button counterclockwise and releasing.

5. Redundant controls

All Oxford lifts are fitted with raise and lower buttons on the control box. These are located underneath the emergency stop button and can be used to lower/raise the patient should the hand control fail.

6. Mechanical Emergency Down

In the case of a complete electrical failure the electric actuator is fitted with mechanical lowering device (RED BOSS). This will only operate when the lift is under load. The device must be pulled upwards to activate and a slow decent will commence.

Note: The MINIMUM load required to manually lower the hoist using the mechanical emergency down function is 30 kg.

7. Batteries

The batteries are protected from deep discharge by a LOW VOLTAGE ALARM. This will sound when the batteries need recharging and the hand control is being operated. It will not sound independently of the hand control being operated. CAUTION: DO NOT IGNORE THIS WARNING ALARM. Complete the lifting operation and place the lift on charge (see charging instructions).

WARNING

To avoid possible permanent damage to the battery, the battery should be placed on charge as soon as the display indicates the half empty battery symbol.

8. Slings

The selected sling is attached to the spreader bar hooks, each sling is supplied with instructions. Please study the instruction guide for the lifter and sling before using. Once the correct sling has been selected for the patient, attach it to the spreader bar hooks.

NOTE: For detailed fitting instructions, please refer to the user guide supplied with each sling.

WARNING

Joerns Healthcare recommends slings are checked regularly and before use for fraying or damage. DO NOT use slings that are worn or damaged.

WARNING

OXFORD RECOMMENDS THE USE OF GENUINE OXFORD PARTS. Oxford sling and lift products are designed to be compatible with one another. For country specific guidance on sling use and compatibility, please refer to the sling label or contact your local market distributor or Joerns Healthcare.

WARNING

Refer to maximum weight capacity of lift. Sling capacity is limited by the maximum capacity of the lift.

Charging Instructions

When the power pack needs charging it is removed from the lift and fitted to an off board charging unit.

Joerns Healthcare recommend an additional battery pack is purchased, so that one pack can be on charge at all times.

1. Remove the power pack from the lift. The pack is retained by a simple latch at the top of the power pack. Lift the latch and the power pack will be released.
2. Fit the power pack to the charging unit. The location and latching of the power pack to the charger is the same system as used on the lift.
3. Plug the charger mains plug into a suitable mains outlet and switch the mains supply ON.
4. Charging is automatic and will fully charge the batteries over a period of four (4) hours.

Note: Even if the charger is left plugged in for extended periods it will not allow the batteries to overcharge.

- a) Green Light - Indicates main power is on.
- b) Yellow Light - Indicates battery is charging.
- c) Battery will be fully charged when yellow light goes off.

Note: It is recommended that the battery be charged immediately upon receipt.

5. To return the lift to service, switch OFF the mains supply and remove the power pack from the charger. Fit the power pack to the lift and make sure the latch holding the pack in place is fully engaged. "Click" in place. The charging of Oxford electric lifts is simple and straightforward, but it is important to follow the charging instructions closely. Please pay particular attention to the following points, they will help you avoid problems with discharged batteries.

WARNING

- **The battery, charger, hand control and control box are NOT to be opened by unauthorised personnel. (Contact your distributor for warranty and repairs).**
- **DO NOT touch battery/charger terminals.**
- **KEEP the batteries fully charged. Place the battery on charge whenever it is not in use. If it is more convenient to do so, place on charge every night. The charger will not allow the batteries to overcharge.**
- **NEVER run the batteries completely flat. As soon as the audible warning sounds, complete the lifting operation in hand and place on charge.**
- **To avoid possible permanent damage to the battery, the battery should be placed on charge as soon as the display indicates the half empty battery symbol.**
- **NEVER store the battery for long periods without regular charging throughout the storage period.**
- **ALWAYS make sure the mains power to the charger is switched off before connecting or disconnecting the battery pack.**
- **NEVER leave the battery pack connected with the charger mains power switched off.**
- **DO NOT leave the charger switched on with the battery disconnected.**

- **DO NOT** use the lift while charging is taking place.
- **CHECK** the lift is not charging before moving as the electrical connection may be damaged.
- **NEVER** disconnect the charger plug by pulling on the cable.
- **BE CAREFUL** not to trip over the charge lead.
- **DO NOT** charge an electric lift in a bathroom or shower room.

8. Maintenance Schedule

All Oxford products are designed for minimum maintenance, however some safety checks and procedures are required. A schedule of DAILY tasks is detailed below. A list of replacement parts is available upon request.

DAILY CHECK LIST

Joerns Healthcare strongly recommends the following checks be carried out on a daily basis and before using lift.

- MAKE sure the lift moves freely on its castors.
- MAKE sure the spreader bar is free to rotate and swing. Check the spreader bar is firmly attached to the boom.
- ENSURE the mast is fully engaged into the mast slot and the mast locking device is securely tightened.
- EXAMINE the sling hooks on the spreader bar and side suspenders for excessive wear. If in doubt - do not use.
- EXAMINE slings for fraying or other damage. DO NOT use any sling if damaged or if the sling shows signs of wear.
- MAKE sure the legs open and close correctly.
- OPERATE the hand control to confirm the boom raises and lowers satisfactorily.
- CONFIRM the lift is not giving a low battery alarm when the hand control is operated. If the alarm sounds DO NOT use and place on charge immediately.
- ON electric powered lifts check the operation of the emergency stop button.

MAINTENANCE, INSPECTION AND TEST

Joerns Healthcare recommends a thorough inspection and test of the Oxford Advance lift and lifting accessories; slings, etc. are carried out on a regular basis. Inspection frequency varies depending on locality, so you must check with your dealer or local government agency as appropriate regarding how often an inspection is required. The examination and test should be conducted according to the recommendations and procedures provided in this manual. Whenever possible Joerns Healthcare recommends maintenance, inspection and certified testing is carried out by authorised service agent / dealers only.

NOTE: These recommendations are in compliance with the requirements of 1998 No2307 Health and Safety: The Lifting Operations and Lifting Equipment Regulations 1998. This is a UK regulation. Outside the UK please check your local country requirements.

***THESE CHECKS SHOULD INCLUDE:**

	Initially	Before Use	Service Intervals
1. SPREADER BAR: Check the spreader bar for freedom of rotation and swing. Check for wear on the central pivot. Check for firm attachment to the boom.	✓	✓	✓
2. BOOM: Check the attachment of the boom to the mast. Make sure there is only minimal side movement of the boom and the boom is free to rotate on the boom bearing.	✓	✓	✓
3. MAST: Check the operation of the mast-locking device. Make sure the mast fully engages into the socket. Check the bottom actuator mounting.	✓	✓	✓
4. ACTUATOR: The actuator should require no maintenance other than checking for correct operation and listening for unusual noise.			✓
5. SMART MONITOR: Check the function of the emergency stop button. Inspect the hand control socket for correct fitting. Check functioning of the hand control. Check the redundant controls and confirm they operate as intended. The MINIMUM load required to manually lower the hoist using the emergency lower function is 30 kg.	✓	✓	✓
6. BATTERIES: The batteries are housed in the power pack and should not require maintenance other than the regular charging as detailed in the charging instructions. Check that the connections remain clean.			✓
7. LEG ADJUSTMENT: Check the legs operate in both full extensions (inward/outward).	✓	✓	✓
8. CASTORS: Check all castors for firm attachment to the legs. Check for free rotation of the castor and the wheels.	✓	✓	✓
9. CLEANING: Clean with ordinary soap and water and/or any hard surface disinfectant. Harsh chemical cleaners or abrasives should be avoided as these may damage the surface finish of the lift. Avoid wetting any of the electrical parts.		✓	✓
10. LOAD TEST: The load test should be carried out in accordance with the manufacturer's test procedures.			✓
11. BASE AND WHEELS: Ensure base is even and level (all four wheels are on the floor).	✓	✓	✓
12. SLINGS: Check for wear and fraying.	✓	✓	✓
13. LUBRICATION: Oil pivot joints, including mast and boom connections, pedal assembly, spreader bar joint (only if required).			✓
14. FIXINGS: Check all nuts, bolts, screws and fasteners for excessive wear and for tightness. Replace as required.			✓

9. Technical Specifications

Specification

Safe Working Load.....	341 lbs.....	155Kgs
Maximum Overall Length.....	51 inches.....	1300mm
Minimum Overall Length.....	49 inches.....	1250mm
Maximum Overall Height.....	73 inches.....	1860mm
Minimum Overall Height.....	53.5 inches.....	1360mm

Folded Dimensions

Height.....	17.1 inches.....	450mm
Depth.....	46.4 inches.....	1180mm
Width.....	21.6 inches.....	550mm

Spreader Bar Max. Height.....	66.5 inches.....	1690mm
Spreader Bar Min. Height (usable).....	15.3 inches.....	390mm
Height at Maximum Reach.....	46 inches.....	1170mm
Reach at Maximum Height.....	25.6 inches.....	650mm
Reach at Minimum Height.....	13.7 inches.....	350mm
Maximum Reach*.....	32.8 inches.....	835mm
Turning Radius.....	55.9 inches.....	1420mm
Legs Open - External Width.....	42.5 inches.....	1080mm
Legs Open - Internal Width.....	39.3 inches.....	1000mm
Legs Closed - External Width.....	26.3 inches.....	670mm
Legs Closed - Internal Width.....	22.4 inches.....	570mm
Overall Height of Legs.....	4.5 inches.....	115mm
Ground Clearance.....	1.1 inches.....	30mm
Front Twin Castors.....	3.0 inches.....	75mm
Rear Braked Castors.....	3.9 inches.....	100mm

*Reach = centre of spreader bar to the front of the mast

Weights

Mast, Base & Boom Assembly.....	63.1 lbs.....	28.9kgs
Power Pack.....	6.2 lbs.....	2.8kgs
Total.....	69.9 lbs.....	31.7kgs
Base Assembly (not incl. battery).....	32.8 lbs.....	14.9kgs
Mast & Boom (not incl. battery).....	30.9 lbs.....	14.0kgs

All measurements are within a +5/-5 degree of tolerance.

ELECTRICAL SPECIFICATIONS:

BATTERIES.....	24 volt Rechargeable sealed lead acid type
BATTERY CAPACITY	3.2 Ampere hours
CHARGER RATED INPUT	100 - 240 V AC/ 50/60 Hz
CHARGER RATED OUTPUT	29.5 VDC, Max. 19 W

ELECTRIC SHOCK PROTECTION

CHARGER.....	CLASS II (EN 60601-1)
LIFT	INTERNAL POWER SOURCE

DEGREE OF SHOCK PROTECTION

CHARGER.....	TYPE B (EN 60601-1)
LIFT	TYPE B (EN 60601-1)

ENVIRONMENTAL CONDITIONS:

Outside this environment functionality and safety may be compromised.

OPERATING:

TEMPERATURE	5°C to 40°C
RELATIVE HUMIDITY	20% to 90% @ 30°C - not condensing
ATMOSPHERIC PRESSURE	700 to 1060 hPa

STORAGE:

TEMPERATURE.....	-10°C to +50°C
RELATIVE HUMIDITY	20% to 90% @ 30°C - not condensing
ATMOSPHERIC PRESSURE	700 to 1060 hPa

IP RATINGS

CONTROL BOX	IPX4
ACTUATOR.....	IPX4
OFF BOARD CHARGER	IPX5
BATTERY	IPX5
HANDSET	IPX5

DUTY CYCLES

ACTUATOR.....	10% (2 min./18 min.)
CHARGER.....	Approx. 4 hrs.

ACOUSTICS

A-Weighted sound power level	60 dB (A)
------------------------------------	-----------

KEY SYMBOLS:

The following symbols are used on the charger, control unit and battery:



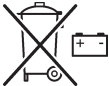
Type B equipment, as per EN 60601-1



Class 2 equipment



The disposal of the charging and control unit should not be mixed with general household waste.



The disposal of batteries should not be mixed with general household waste.



The disposal of electronics should not be mixed with general household waste.



For indoor use



ATTENTION, consult accompanying documents.

WEEE Producers registration number WEE/GG0464RZ

10. Warranty

Joerns Healthcare has an established network of authorised distributors and service agents who will be pleased to handle all of your purchasing, warranty, repair and maintenance enquiries. It is recommended that our products are commissioned by your authorised distributor or service agent.

The distributor or service agent operates the warranty programme, so it is important to keep a record of their name, address and telephone number so they can be contacted should any problem arise. If you are in any doubt as to where your lift was purchased, Joerns Healthcare can trace the supplier if you quote the serial number of the lift.

All warranty claims are subject to the correct use and maintenance in accordance with the user instruction manual provided with each lift. Damage caused by use in unsuitable environmental conditions or failure to maintain the product in accordance with user and service instructions is not covered. Your statutory rights remain unaffected.

REMEMBER: Contact your authorised distributor or service agent for purchases, repairs, servicing and certified maintenance.

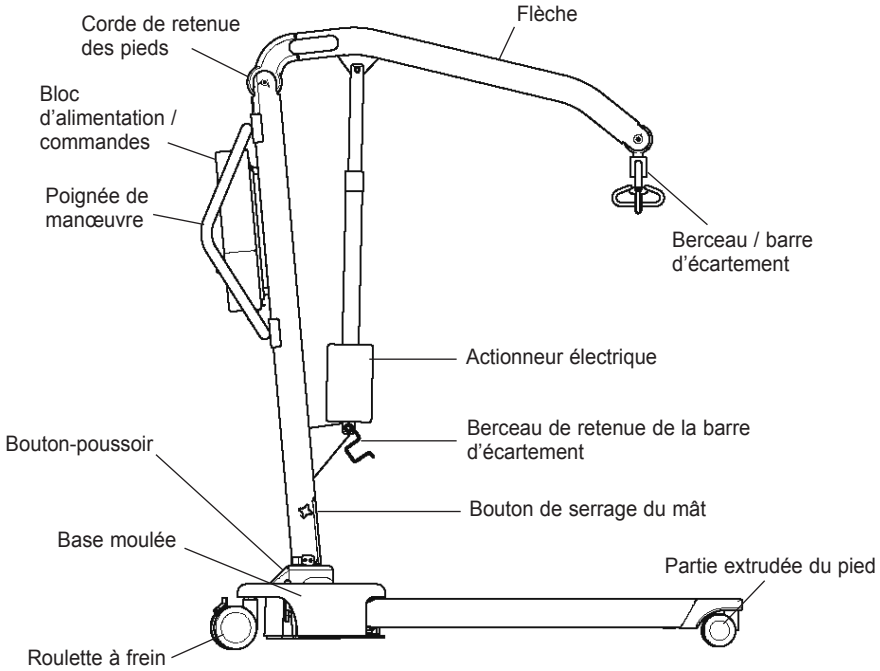
Your distributor:

Table des matières

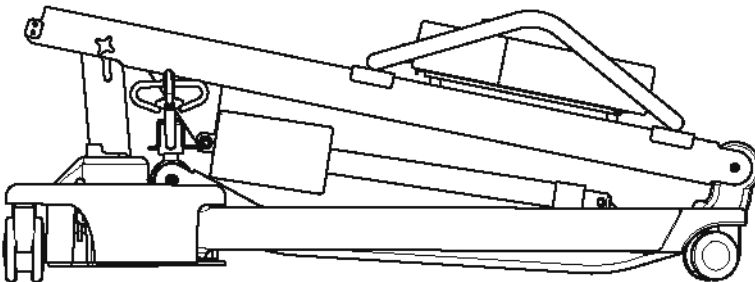
1. Le lève-personne Oxford Advance	27
2. Introduction: Le lève-personne Oxford Advance.....	28
3. Instructions de montage et de mise en service	29
4. Démontage.....	31
5. Consignes de sécurité.....	34
6. Moniteur Smart et commande manuelle	36
7. Instructions de fonctionnement	40
8. Périodicité d'entretien de l'appareil Oxford Advance	44
9. Spécifications techniques.....	46
10. Garantie.....	49

1. Le lève-personne Oxford Advance

Lève-personne Oxford Advance (prêt à l'emploi)



Lève-personne Oxford Advance (en position de rangement)



2. Introduction: Le lève-personne Oxford Advance

Chaque lève-personne est entièrement monté, soumis à un essai de charge et certifié avant d'être emballé / expédié.

L'emballage se compose d'une boîte en carton robuste construite spécialement pour les expéditions intérieures et les exportations qui permet de garantir l'arrivée de l'appareil intact à destination. L'emballage de chaque lève-personne comprend une pochette contenant un certain nombre de documents qui doivent être conservés en lieu sûr pour référence future.

- CERTIFICAT D'ESSAI
- MANUEL D'UTILISATION
- CARTE DE GARANTIE DU REVENDEUR
- CARTE DE SATISFACTION

Le CERTIFICAT D'ESSAI est un document important qui doit être conservé à titre de référence. Pour entretenir correctement votre lève-personne, veuillez vous référer au tableau de périodicité d'entretien dans ce document. En cas d'incertitude concernant les normes d'entretien locales, veuillez vous renseigner auprès de votre revendeur et / ou d'un organisme gouvernemental local.

Marque CE : L'appareil Oxford Advance porte la marque CE et il est conforme aux directives CE suivantes :



- Medical Device Directive (appareils médicaux) 93/42/CEE
- Directive EMC (89/336/CEE)
- Directive relative aux basses tensions (73/23/CEE)

Déclaration d'utilisation prévue

L'usage prévu de cet appareil de levage consiste à lever et à transférer en toute sécurité un patient depuis un point à un autre (par ex. depuis un lit vers un fauteuil roulant). Joerns Healthcare recommande de toujours procéder à une évaluation des risques avant d'entreprendre le transfert d'un patient, et de limiter le transfert à de courtes distances.

Le lève-personne Oxford Advance est prévu pour les patients en position ASSISE, en position ASSISE/ALLONGÉE et en position ALLONGÉE.

Le lève-personne Oxford Advance est prévu pour assurer et promouvoir la sécurité à la fois du patient et de l'aide-soignant. Il se plie sans outil, ce qui permet de le ranger en toute simplicité même dans des endroits où l'espace est limité. Le lève-personne Oxford Advance peut également se démonter en deux parties, facilitant le transport à bord d'un véhicule doté d'un coffre suffisamment grand.

Le lève-personne Oxford Advance intègre une barre d'écartement à 6 points et est conçu pour être utilisé conjointement avec les différentes sangles Oxford. Les exemples de sangles compatibles avec ce matériel sont énumérés ci-dessous :

- Oxford Quickfit
- Oxford Long Seat
- Oxford Full Back
- Oxford Access sling
- Oxford Quickfit Deluxe
- Oxford Silkfit

Durée de vie prévue

Les lève-personnes Oxford Professional sont conçus et testés pour une durée de vie minimum de dix (10) ans, si les consignes d'utilisation et d'entretien énoncées dans le présent manuel sont respectées. Toute utilisation non conforme aux consignes peut compromettre la durée de vie du matériel.

3. Instructions de montage et de mise en service

Contenu de la boîte

Placez la boîte sur une surface bien dégagée et ouvrez-la avec précaution. Elle contient :

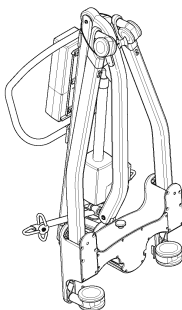
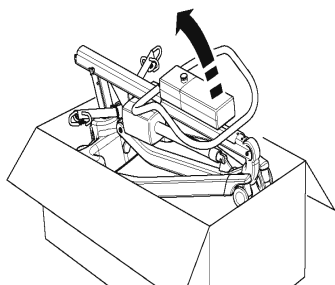
- L'APPAREIL OXFORD ADVANCE
- UNE POCHETTE CONTENANT DES DOCUMENTS
- UNE COMMANDE MANUELLE
- BATTERIES
- CHARGEUR DE BATTERIES AU PLOMB

REMARQUE CONCERNANT LA SÉCURITÉ: L'appareil Oxford Advance est lourd et devra être soulevé avec précaution. Il est possible que vous soyez obligé(e) de vous faire aider pour soulever l'appareil Oxford Advance et le sortir de la boîte.

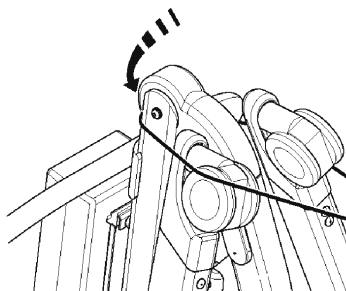
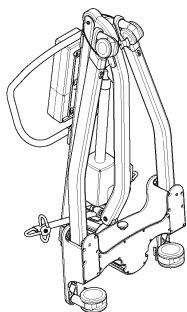
Instructions de montage

1. Retirez toutes les pièces de la boîte et placez-les par terre, en prenant soin de protéger le fini.

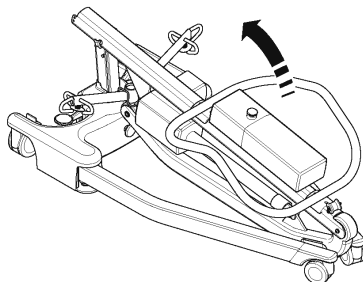
Avec précaution, soulevez l'appareil Advance de l'emballage. Mettez le lève-personne à la verticale (de manière à former un triangle).



2. Dégagez le pied et le mât en détachant la sangle de retenue des roues. Cette sangle rentrera dans le haut de la section du mât.

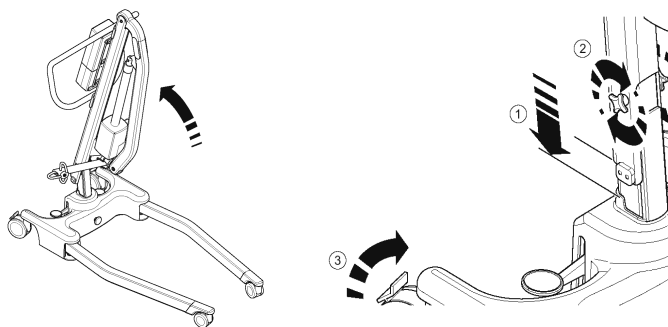


3. Mettez l'appareil Advance à plat sur le sol (assurez-vous que les roulettes arrière sont bien verrouillées).

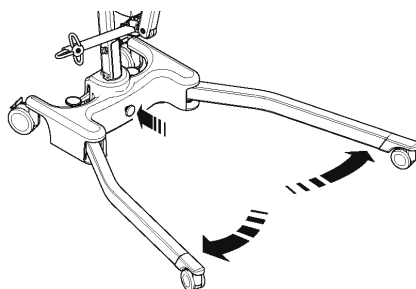


4. En l'attrapant par le haut de la poignée, redressez le mât en position verticale de sorte à l'insérer dans la fente, en alignant les autocollants (1). Serrez les molettes de verrouillage du mât (2) et déverrouillez les roulettes (3).

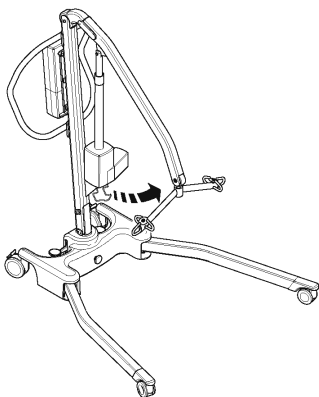
REMARQUE CONCERNANT LA SÉCURITÉ: Évitez de vous coincer les doigts. Lorsque vous insérez le mât dans la fente, gardez vos doigts à l'écart de l'extrémité du mât. Serrez le dispositif de verrouillage du mât, puis desserrez les freins des roulettes à l'arrière.



5. Écartez les pieds au maximum. ASSUREZ-VOUS que le bouton de verrouillage des pieds s'engage au ras de la base moulée et que les pieds sont immobilisés. Les pieds ne fonctionneront alors qu'au moyen du mécanisme à pédale situé à l'arrière de la base.

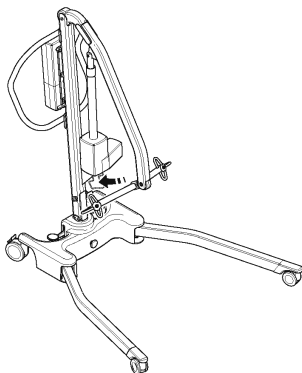


6. Dégagez la barre d'écartement du berceau de retenue et le lève-personne est désormais prêt à fonctionner.

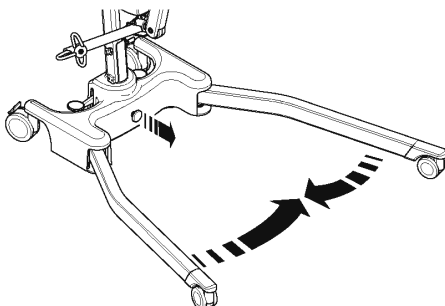


4. Démontage

1. Amenez le mât à la position la plus basse, puis insérez la barre d'écartement dans le berceau de retenue.

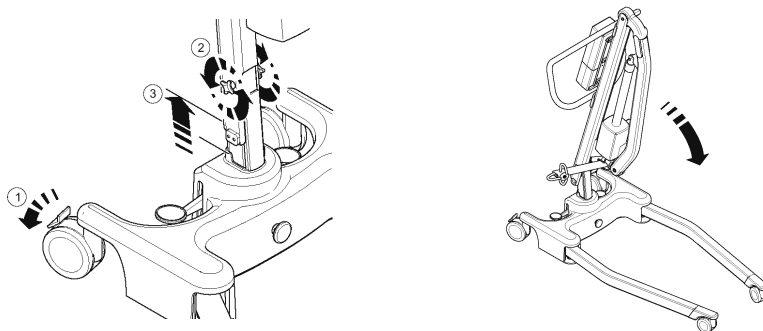


2. Relâchez le dispositif de verrouillage des pieds (en l'éloignant de la base moulée), rapprochez les pieds l'un de l'autre.

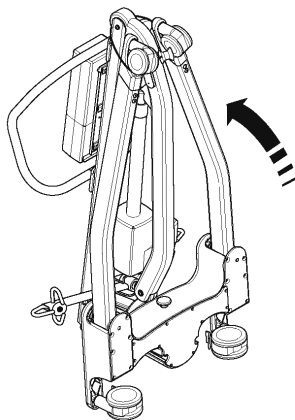


3. Desserrez le dispositif de verrouillage du mât (2) (pas entièrement), soulevez le mât et la flèche (3) et repliez-les soigneusement vers les pieds. Utilisez la poignée de manœuvre pour faciliter ce mouvement.

REMARQUE: Si vous souhaitez séparer complètement le mât et la flèche de la base et des pieds, détachez le dispositif de verrouillage du mât (retirez-le) et soulevez le mât et la flèche pour les sortir complètement de la base. Prenez garde à ne pas desserrer le dispositif de verrouillage, le bouton et la fusée de centrage du mât.

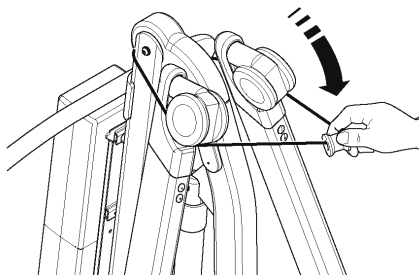


4. Soulevez l'appareil Advance verticalement (utilisez les pieds et la poignée de manœuvre comme guides) en veillant à ce que le mât et la flèche ne se séparent pas lorsque vous mettez l'appareil à la verticale.



5. D'un coup sec, tirez la sangle de retenue vers le haut et étendez-la au-dessus des roues. (Cela empêche les pieds, le mât et la flèche de se séparer durant le transport et l'entreposage).

REMARQUE: Prenez des précautions pour plier et déplier un appareil Advance, car vous risquez de vous pincer les doigts, etc. Veuillez suivre les instructions à la lettre et vous faire aider si vous n'êtes par certain(e) de la procédure correcte.



EFFECTUEZ TOUJOURS LES VÉRIFICATIONS SUIVANTES AVANT D'UTILISER L'APPAREIL :

- Les pieds sont complètement engagés depuis la position d'arrimage (voir les instructions de montage, 5).
- Le mât est complètement verrouillé en position (voir les instructions de montage, 4).
- Les pieds du lève-personne s'ouvrent et se referment de façon satisfaisante.
- Le bouton rouge d'arrêt d'urgence situé à l'arrière du boîtier de commande, est en position OFF (arrêt).
- Poussez les boutons « up » (vers le haut) et « down » (vers le bas) de la commande manuelle pour confirmer que la flèche se lève et s'abaisse.
- Remplacez le bloc d'alimentation sur le lève-personne et vérifiez que la bride le maintenant est totalement enclenchée. Enclenchez le bloc.

5. Consignes de sécurité

Veillez lire et suivre les consignes de sécurité ci-dessous. Le fonctionnement et l'utilisation des lève-personnes Oxford sont simples et clairs. Si vous suivez ces quelques consignes de sécurité fondamentales, vous serez en mesure d'utiliser ce lève-personne facilement et sans problèmes.

AVANT D'UTILISER VOTRE LÈVE-PERSONNE « ADVANCE », LISEZ LES INSTRUCTIONS DU MANUEL D'UTILISATION ET VEILLEZ À BIEN LES COMPRENDRE

AVERTISSEMENT: Consigne de sécurité importante sur un danger pouvant entraîner des blessures graves.

ATTENTION: Consigne de précaution pour éviter d'endommager le produit.

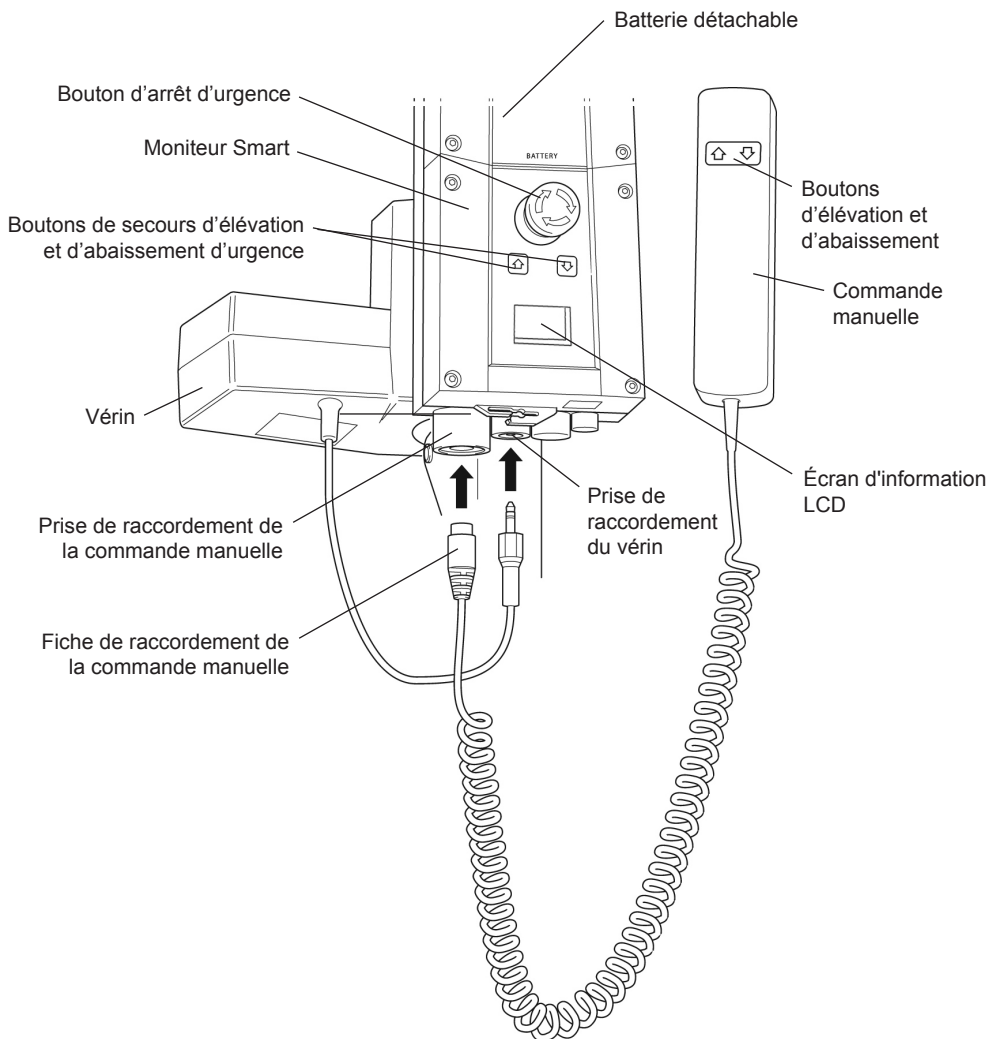
REMARQUE: Informations auxquelles il convient de prêter une attention particulière.

AVERTISSEMENT

- Planifiez **TOUJOURS** vos opérations de levage avant de commencer.
- Effectuez **TOUJOURS** les **VÉRIFICATIONS QUOTIDIENNES** (page 36) avant d'utiliser le lève-personne.
- Familiarisez-vous **TOUJOURS** avec les commandes de fonctionnement et les dispositifs de sécurité d'un lève-personne avant de soulever un patient.
- **N'UTILISEZ PAS** de courroie, à moins que cela ne soit recommandé.
- Vérifiez **TOUJOURS** que la courroie convient au patient et qu'elle est de taille et de capacité appropriées.
- N'utilisez **JAMAIS** une courroie effilochée ou montrant des signes de détérioration.
- Ajustez **TOUJOURS** la courroie suivant les instructions fournies (consignes d'utilisation).
- Vérifiez **TOUJOURS** que la charge maximale d'utilisation du lève-personne est compatible avec le poids du patient.
- Effectuez **TOUJOURS** le levage suivant les instructions du manuel d'utilisation.
- Ne débranchez ni ne contournez **JAMAIS** une commande ou un dispositif de sécurité sous prétexte que cela semble plus facile pour utiliser le lève-personne.
- **NE SOULEVEZ PAS** un patient si les freins des roulettes sont serrés. Laissez toujours le lève-personne trouver le centre de gravité correct.
- **N'ESSAYEZ PAS** de manœuvrer le lève-personne en poussant le mât, la flèche ou le patient.
- Manœuvrez **TOUJOURS** le lève-personne à l'aide de la poignée fournie.
- Amenez **TOUJOURS** le patient à la position la plus basse et la plus confortable avant un transfert.
- **NE PUSSEZ PAS** un lève-personne chargé à des vitesses dépassant une allure de marche lente (3 kilomètres / heure, soit 0,8 mètres / seconde).
- **NE PUSSEZ PAS** le lève-personne sur un terrain accidenté, particulièrement si le lève-personne est chargé.

- **N'ESSAYEZ PAS**, si les roulettes ne peuvent pas surmonter un obstacle au sol, de pousser / tirer un lève-personne chargé. .
- **NE FORCEZ JAMAIS** une commande de fonctionnement / de sécurité. Toutes les commandes sont faciles à utiliser et ne nécessitent pas une force excessive.
- La charge **MINIMALE** requise pour abaisser manuellement le lève-personne à l'aide de la fonction d'abaissement mécanique d'urgence est de 30 kg.
- **NE RANGEZ** un lève-personne chargé sur **AUCUNE** surface inclinée.
- **N'UTILISEZ PAS** les lève-personnes électriques dans la douche.
- **NE CHARGEZ PAS** un lève-personne électrique dans une salle de bains ou une salle de douche.
- **NE SOULEVEZ PAS** un patient si vous n'avez ni l'expérience ni la compétence.
- **VOTRE** lève-personne est prévu pour soulever des patients. **NE L'UTILISEZ PAS**, et n'autorisez personne à s'en servir à d'autres fins.
- **NE HEURTEZ PAS** le lève-personnes en descendant des marches, qu'il soit chargé ou non.
- **N'ESSAYEZ PAS** de déplacer un lève-personne chargé sur une pente de plus de 1:12 (environ 5 degrés).
- **N'ESSAYEZ PAS** de monter ou de descendre une côte sans une autre personne à vos côtés.
- Vérifiez **TOUJOURS**, avant de bouger, que le lève-personne ne charge pas, car la connexion électrique peut être endommagée.

6. Moniteur Smart et commande manuelle



Utilisation prévue

Le moniteur Oxford Smart est un système de commande prévu pour les lève-personnes Oxford Mobile. Le moniteur Smart enregistre de précieuses données de service relatives à l'utilisation du lève-personne, lesquelles peuvent être consultées à tout moment, notamment :

- Nombre de cycles de levage des patients
- Charge de travail totale réalisée par le vérin
- Nombre de levages effectués en surcharge (tentatives de levage avec une charge supérieure à la charge maximale autorisée)
- Nombre de jours écoulés depuis le dernier entretien

Le moniteur Oxford Smart contient un microprocesseur qui permet de lire les données de service sur l'écran d'affichage LCD embarqué.

Caractéristiques

- Collecte des données dans la boîte de commande et affichage des données sur l'écran LCD
- Compteur d'opérations
- Compteur de cycles intelligent
- Indicateur d'entretien
- Indicateur d'intervalle entre 2 entretiens
- Informations sur l'utilisation en surcharge
- Indicateur de batterie à 3 témoins




Avantages

- Sécurité renforcée pour le patient et l'assistant
- Données de service précises sur simple activation d'un bouton
- Durée de vie prolongée du produit
- Simplicité d'entretien pour les ingénieurs et les techniciens
- Identification simple et rapide des erreurs

Écran d'affichage LCD

Le moniteur Oxford Smart permet l'affichage d'informations sur l'écran LCD. Il peut, par exemple, afficher le nombre total de cycles de levage, la charge de travail totale effectuée, les surcharges et le nombre de jours écoulés depuis le dernier entretien. Ces informations permettent de rapidement évaluer l'état du vérin du lève-personne.

Pour afficher ces informations, appuyez une demi-seconde sur le bouton 'HAUT' de la commande manuelle ou sur le bouton de secours 'HAUT' du moniteur Smart.

	12034	—	Total des cycles de levage
A*S	1257000	—	Total de la charge de travail effectuée (Ampères * Secondes)
	7	—	Nombre de surcharges
	90/180	—	Nombre de jours (depuis le dernier entretien) / Nombre de jours (entre deux entretiens)

Information sur l'entretien et l'utilisation



Quand arrive le moment de faire faire l'entretien, le symbole Service s'affiche à l'écran. De plus, lorsque la commande manuelle est activée, le moniteur Smart émet un signal sonore pour attirer l'attention de l'utilisateur sur le fait que l'entretien arrive à échéance.

Le symbole Service s'affichera à l'écran à chaque fois que les touches d'élévation ou d'abaissement sont actionnées sur la commande manuelle. Lorsque le symbole Service s'affiche, contactez immédiatement votre service d'entretien agréé pour prendre rendez-vous.

Vous pouvez continuer à utiliser le lève-personne pendant une brève période en attendant la visite d'entretien.

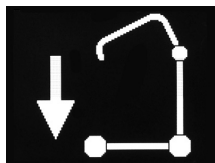


Si le lève-personne s'arrête en raison d'une surcharge (la charge à lever est supérieure à la charge maximale autorisée), le symbole de surcharge s'affiche sur l'écran LCD et le fonctionnement du lève-personne est interrompu jusqu'à ce que l'excès de charge ait été supprimé.

⚠ AVERTISSEMENT

Après la détection de surcharge par le lève-personne, Joerns Healthcare recommande d'effectuer TOUTES les vérifications de routine avant de réutiliser l'appareil (vous trouverez la liste des vérifications quotidiennes dans le manuel d'utilisation fourni avec le lève-personne). Joerns Healthcare vous recommande également de contacter votre service d'entretien agréé.

Commandes de secours embarquées



Les commandes de secours embarquées permettent de lever ou d'abaisser le lève-personne en situation d'urgence.

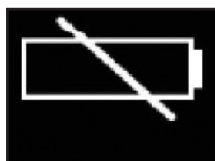
Niveau de batterie



Le symbole de la batterie pleine indique que la batterie est à pleine capacité et le lève-personne est prêt à l'emploi.



Le symbole de la batterie à moitié pleine indique qu'il est nécessaire de recharger la batterie.



Le symbole de la batterie vide indique que la batterie est complètement déchargée et doit être mise en charge immédiatement.

⚠ AVERTISSEMENT

Pour éviter tout endommagement irréversible de la batterie, il convient de mettre celle-ci en charge dès que l'écran affiche le symbole de la batterie à moitié pleine.

7. Instructions de fonctionnement

1. Réglage des pieds

Sur l'appareil Oxford Advance, la largeur des pieds est réglable. Ils peuvent être ouverts pour faciliter l'accès autour des fauteuils ou des chaises roulantes. Pour permettre les transferts et le passage par des portes et des endroits exigus, les pieds du lève-personne doivent être en position fermée.

Pour effectuer le réglage, appuyez à droite (VERS LE BAS) sur la pédale de réglage des pieds, située à l'arrière de la base, pour ouvrir les pieds ; appuyez à gauche (VERS LE HAUT) pour les fermer. Le réglage peut s'effectuer avec le patient sur l'appareil ; cependant, chargé ou non, l'appareil doit être en mouvement durant cette opération.

AVERTISSEMENT

Ne soulevez jamais un patient lorsque les pieds sont en position fermée pour le transport. Cette position est réservée pour le rangement et le transport.

2. Roulettes et freinage

Le lève-personne comporte deux roulettes à frein, qui permettent d'immobiliser l'appareil. Durant le levage, les roulettes doivent rester libres et non freinées, afin que le lève-personne puisse se diriger vers son centre de gravité. **NE SERREZ PAS** les freins, car dans ce cas, le patient pourrait basculer vers le centre de gravité, ce qui pourrait s'avérer déconcertant et inconfortable.

3. Levage et abaissement de la flèche (modèles électriques)

Le mouvement de la flèche est transmis par un puissant actionneur électrique, qui est lui-même contrôlé par une simple unité de commande manuelle. La commande manuelle est munie de deux boutons sur lesquels se trouvent les flèches UP (vers le haut) et DOWN (vers le bas). L'actionneur s'arrête automatiquement en fin de course dans les deux sens. La commande manuelle se branche sur une prise située à la base du boîtier de commande. Un crochet situé à l'arrière de la commande manuelle permet de la « garer » sur le mât ou la flèche lorsqu'elle n'est pas en usage.

4. Arrêt d'urgence (modèle électrique uniquement)

Le bouton rouge d'arrêt d'urgence, situé à l'arrière du boîtier de commande, est activé lorsqu'on appuie dessus. Cela coupe l'alimentation du lève-personne, laquelle n'est rétablie que lorsque le bouton est tourné dans le sens antihoraire, puis relâché.

5. Commandes de secours

Tous les lève-personnes Oxford sont équipés de boutons d'élévation et d'abaissement sur le boîtier de commande. Ils sont situés sous le bouton d'arrêt d'urgence et peuvent servir à élever / abaisser le patient en cas de panne de la commande manuelle.

6. Descente mécanique d'urgence

En cas de panne électrique totale, l'actionneur électrique est doté d'un dispositif de descente mécanique (BOSSAGE ROUGE). Celui-ci ne fonctionne que lorsque le lève-personne est chargé. Ce dispositif doit être tiré vers le haut pour s'activer après quoi une descente lente va commencer.

Remarque: La charge MINIMALE requise pour abaisser manuellement le lève-personne à l'aide de la fonction d'abaissement mécanique d'urgence est de 30 kg.

7. Batteries

Les batteries sont protégées contre les décharges poussées par une ALARME DE BASSE TENSION. Celle-ci retentit lorsque les batteries demandent à être rechargées et que la commande manuelle est en usage. Elle ne retentit pas si la commande manuelle n'est pas en usage.

ATTENTION: NE NÉGLIGEZ PAS CETTE ALARME. Achevez le levage et mettez l'appareil sous charge (voir instructions de charge).

8. Courroies

La courroie sélectionnée est attachée aux crochets de la barre d'écartement, et chaque courroie est accompagnée d'instructions. Veuillez étudier le guide d'instructions du lève-personne et des courroies avant de les utiliser. Une fois la courroie correcte sélectionnée pour le patient, attachez-la aux crochets de la barre d'écartement.

REMARQUE : Pour toute instruction détaillée sur la mise en place, reportez-vous au guide d'utilisation fourni avec chaque courroie.

AVERTISSEMENT

Joerns Healthcare vous conseille de vérifier, régulièrement et avant toute utilisation, que vos courroies ne sont ni effilochées, ni endommagées. N'utilisez JAMAIS une courroie usagée ou endommagée.

AVERTISSEMENT

OXFORD RECOMMANDE L'UTILISATION DE PIÈCES OXFORD AUTHENTIQUES. Les produits de sangle et de levage Oxford sont conçus pour être compatibles ensemble. Pour les directives spécifiques à votre pays au sujet de l'utilisation d'élingues et de leur compatibilité, veuillez lire l'étiquette de l'élingue ou contacter votre revendeur local ou Joerns Healthcare.

AVERTISSEMENT

Respectez la charge maximale du lève-personne. La charge de la courroie est limitée par la charge maximale du lève-personne.

Instructions de charge

Lorsque le bloc d'alimentation nécessite d'être chargé, retirez-le du lève-personne et insérez-le dans le chargeur non transporté.

Joerns Healthcare recommande d'acheter un pack de batteries supplémentaire afin d'avoir toujours à disposition un pack chargé.

1. Retirez le bloc d'alimentation du lève-personne. Le bloc est maintenu en place par un simple loquet fixé en haut. Il suffit de soulever le loquet pour libérer le bloc d'alimentation.
2. Insérez le bloc d'alimentation dans le chargeur. L'orientation et l'enclenchement du bloc d'alimentation dans le chargeur sont les mêmes que lorsqu'il est branché dans le lève-personne.
3. Branchez la fiche du chargeur sur une prise de courant, puis mettez le chargeur SOUS TENSION.
4. La charge est automatique et se poursuivra sur une période de quatre (4) heures jusqu'à recharge complète des batteries.

Remarque : même si le chargeur reste branché pendant une période plus longue que nécessaire, la charge des batteries s'interrompt dès que celles-ci sont pleines. Il n'y a pas de risque de surcharge.

- a) Témoin vert - Chargeur sous tension.
- b) Témoin jaune - Charge en cours.
- c) L'extinction du témoin jaune indique que la batterie est entièrement chargée.

Remarque : Il est conseillé de charger la batterie dès réception de celle-ci.

5. Pour réutiliser le lève-personne, débranchez la fiche du chargeur et retirez le bloc d'alimentation du chargeur. Insérez le bloc d'alimentation dans le lève-personne. Vérifiez que le loquet qui maintient le bloc en place est bien enclenché. S'il est bien enclenché, il doit émettre un clic. Le processus de charge des lève-personnes électriques Oxford est simple, mais il est important de suivre attentivement les consignes énoncées. Prêtez une attention particulière aux points ci-dessous pour éviter tout problème de batteries déchargées.

AVERTISSEMENT

- **La batterie, le chargeur, la commande manuelle et la boîte de commande NE doivent PAS être ouverts par du personnel non autorisé. (Contactez votre distributeur pour toute information sur la garantie et les réparations).**
- **NE touchez PAS les bornes de la batterie/du chargeur.**
- **VEILLEZ à ce que les batteries restent en permanence complètement chargées. Pendant les périodes de non-utilisation du lève-personne, mettez la batterie en charge. Vous pouvez également mettre la batterie en charge la nuit. Le chargeur interrompt automatiquement la recharge dès que les batteries sont pleines. Il n'y a pas de risque de surcharge**
- **NE laissez JAMAIS les batteries se décharger complètement. Dès que l'avertisseur sonore retentit, terminez le lavage en cours, puis mettez-les batteries en charge.**
- **Pour éviter tout endommagement irréversible de la batterie, il convient de mettre celle-ci en charge dès que l'écran affiche le symbole de la batterie à moitié pleine.**

- **N'entreposez JAMAIS** la batterie pendant une longue période sans le recharger régulièrement.
- **Veillez à TOUJOURS** mettre le chargeur hors tension avant de brancher ou de débrancher le bloc d'alimentation.
- **Ne laissez JAMAIS** le bloc d'alimentation branché au chargeur si ce dernier est hors tension.
- **NE LAISSEZ PAS** le chargeur sous tension si la batterie est débranchée.
- **N'UTILISEZ PAS** le lève-personne pendant qu'il est en charge.
- **VÉRIFIEZ** que le lève-personne n'est pas en charge avant de le déplacer afin d'éviter tout endommagement électrique.
- **NE DÉBRANCHEZ JAMAIS** le chargeur en tirant sur le câble.
- **VEILLEZ** à ne pas trébucher sur le câble du chargeur.
- **NE RECHARGEZ PAS** un lève-personne électrique dans une salle de bains ou une salle d'eau.

8. Périodicité d'entretien de l'appareil Oxford Advance

Tous les produits Oxford sont conçus de manière à ne nécessiter qu'un entretien minimal; toutefois, certaines vérifications et procédures de sécurité sont nécessaires. Un tableau des tâches QUOTIDIENNES est présenté ci-après. Une liste de pièces détachées est disponible sur demande.

LISTE DE VÉRIFICATIONS QUOTIDIENNES

Joerns Healthcare conseille fortement d'effectuer les vérifications suivantes chaque jour et avant d'utiliser le lève-personne.

- ASSUREZ-VOUS que le lève-personne se déplace facilement sur ses roulettes.
- ASSUREZ-VOUS que la barre d'écartement tourne et pivote facilement. Vérifiez qu'elle est bien fixée sur la flèche.
- RECHERCHEZ les signes d'usure sur les crochets des courroies de la barre d'écartement et sur les dispositifs de suspension latéraux. Dans le doute, ne les utilisez pas.
- INSPECTEZ les courroies afin de déceler tout éventuel signe d'effilochage ou d'usure. N'UTILISEZ PAS de courroie endommagée.
- ASSUREZ-VOUS que les pieds s'ouvrent et se referment correctement.
- ACTIONNEZ la commande manuelle pour confirmer que la flèche se lève et s'abaisse normalement.
- ASSUREZ-VOUS que l'alarme de batterie faible ne se déclenche par lorsque la commande manuelle est actionnée (lève-personne électrique uniquement). Si l'alarme retentit, N'UTILISEZ PAS l'appareil et mettez-le sous charge immédiatement.
- Les appareils électriques ACTIVÉS permettent de vérifier le fonctionnement du bouton d'arrêt d'urgence.

ENTRETIEN, INSPECTION ET ESSAIS

Joerns Healthcare recommande d'effectuer régulièrement une inspection et des essais poussés du lève-personne Oxford Advance et des accessoires, courroies, etc. La fréquence des inspections varie selon l'endroit. Veuillez vous renseigner auprès de votre revendeur et / ou d'un organisme gouvernemental local sur la périodicité requise des inspections. Les examens et les essais doivent être effectués suivant les recommandations et les procédures énoncées dans le présent manuel. Dans la mesure du possible, Joerns Healthcare recommande que l'entretien, les inspections et les essais certifiés soient effectués uniquement par un agent d'entretien ou un revendeur agréé.

REMARQUE: Ces recommandations sont conformes aux normes d'Hygiène et de Sécurité No2307 de 1998. Réglementations sur les opérations et l'équipement de levage 1998. Il s'agit d'une réglementation du Royaume-Uni. En dehors du Royaume-Uni, veuillez vous renseigner sur les règlements de votre pays.

***CES VÉRIFICATIONS DOIVENT PORTER SUR:**

	Initialement	Avant utilisation	Intervalle d'entretien
1. BARRE D'ÉCARTEMENT : Vérifiez que la barre d'écartement tourne et pivote librement. Vérifiez l'absence d'usure sur le pivot central. Assurez-vous qu'elle est solidement fixée sur la flèche.	✓	✓	✓
2. FLÈCHE : Vérifiez que la flèche est fixée sur le mât. Assurez-vous que le mouvement latéral de la flèche est minimal et qu'elle tourne librement sur son roulement.	✓	✓	✓
3. MÂT : Vérifiez le fonctionnement du dispositif de verrouillage du mât. Assurez-vous que le mât s'engage entièrement dans la douille. Vérifiez le montage de l'actionneur inférieur.	✓	✓	✓
4. ACTIONNEUR : Hormis la vérification du bon fonctionnement et la recherche de bruits inhabituels, l'actionneur ne nécessite en principe aucun entretien.			✓
5. MONITEUR SMART : Vérifiez le bon fonctionnement du bouton d'arrêt d'urgence. Vérifiez le branchement de la prise de la commande manuelle. Vérifiez le fonctionnement de la commande manuelle. Vérifiez que les commandes de secours fonctionnent correctement. ATTENTION : La charge MINIMALE requise pour abaisser manuellement le lève-personne à l'aide de la fonction d'abaissement mécanique d'urgence est de 30 kg.	✓	✓	✓
6. BATTERIES : Les batteries sont logées dans le bloc d'alimentation et, à l'exception de recharges régulières effectuées conformément aux instructions de charge, elles ne nécessitent en principe aucun entretien. Veillez à ce que les connexions restent propres.			✓
7. RÉGLAGE DES PIEDS : Vérifiez que les pieds s'étendent complètement dans les deux sens (vers l'intérieur et vers l'extérieur).	✓	✓	✓
8. ROULETTES : Vérifiez que toutes les roulettes sont solidement fixées sur les pieds. Vérifiez que les roulettes et les roues tournent librement.	✓	✓	✓
9. NETTOYAGE : Nettoyez au savon ordinaire et à l'eau et /ou avec un désinfectant pour surfaces dures. Les produits de nettoyage chimiques corrosifs ou les abrasifs doivent être évités, car ils peuvent endommager le fini du lève-personne. Évitez de mouiller les pièces électriques.		✓	✓
10. ESSAI DE CHARGE : L'essai de charge doit être effectué conformément aux procédures d'essai préconisées par le fabricant.			✓
11. BASE ET ROUES : Assurez-vous que la base est régulière et nivelée (les quatre roues reposent sur le sol).	✓	✓	✓
12. COURROIES : Vérifiez qu'elles ne sont pas usées, ni effilochées.	✓	✓	✓
13. LUBRIFICATION : Huilez les joints pivotants, y compris les pièces reliant le mât et la flèche, l'ensemble de la pédale, la barre d'écartement et le joint (seulement si nécessaire).			✓
14. FIXATIONS : Vérifiez que les écrous, boulons, vis et fixations ne présentent pas de signe d'usure et sont correctement serrés. Remplacez-les si nécessaire.			✓

9. Spécifications Techniques

Charge maximale d'utilisation	341 livres	155Kgs
Longueur maximale hors tout	51 pouces	1300mm
Longueur minimale hors tout	49 pouces	1250mm
Hauteur maximale hors tout.....	73 pouces	1860mm
Hauteur minimale hors tout.....	53,5 pouces	1360mm

Dimensions de l'appareil replié

Hauteur	17,1 pouces	450mm
Profondeur	46,4 pouces	1180mm
Largeur.....	21,6 pouces	550mm

Hauteur maximale de la barre d'écartement.....	66,5 pouces	1690mm
Hauteur minimale de la barre d'écartement (utilisable)	15,3 pouces	390mm
Hauteur à portée maximaleum	46 pouces	1170mm
Portée à hauteur maximaleum	25,6 pouces	650mm
Portée à hauteur minimaleum	13,7 pouces	350mm
Portée maximaleum*	32,8 pouces	835mm
Rayon de braquage.....	55,9 pouces	1420mm
Pieds ouverts - largeur extérieure	42,5 pouces	1080mm
Pieds ouverts - largeur intérieure	39,3 pouces	1000mm
Pieds fermés - largeur extérieure	26,3 pouces	670mm
Pieds fermés - largeur intérieure	22,4 pouces	570mm
Hauteur des pieds, hors tout.....	4,5 pouces	115mm
Garde au sol	1,1 pouces	30mm
Roulettes jumelées avant.....	3,0 pouces	75mm
Roulettes arrière à freins.....	3,9 pouces	100mm

*Portée = distance entre le centre de la barre d'écartement et l'avant du mât

Poids

Ensemble mât, base et flèche	63,1 livres	28,9kgs
Bloc d'alimentation	6,2 livres	2,8kgs
Total	69,9 livres	31,7kgs
Base (sans la batterie).....	32,8 livres	14,9kgs
Mât et flèche (sans la batterie)	30,9 livres	14,0kgs

Toutes les mesures sont indiquées avec une tolérance de +5 / -5.

SPÉCIFICATIONS ÉLECTRIQUES:

BATTERIES.....24 volts, type plomb-acide, scellées rechargeables
 CAPACITÉ DES BATTERIES3,2 A/h
 VALEURS NOMINALES D'ENTRÉE DU CHARGEUR 100 - 240 V CA/ 50/60 Hz
 VALEURS NOMINALES DE SORTIE DU CHARGEUR...29,5 V CC, à Max. 19 W

PROTECTION CONTRE LES DÉCHARGES ÉLECTRIQUES

CHARGEUR.....CLASSE II (EN 60601-1)
 LÈVE-PERSONNESOURCE D'ALIMENTATION INTERNE

DEGRÉ DE PROTECTION CONTRE LES DÉCHARGES

CHARGEUR.....TYPE B (EN 60601-1)
 LÈVE-PERSONNETYPE B (EN 60601-1)

CONDITIONS ENVIRONNEMENTALES

En dehors de ce type d'environnement le fonctionnement et la sécurité de l'appareil peuvent être compromis.

FONCTIONNEMENT :

TEMPÉRATURE5°C à 40°C
 HUMIDITÉ RELATIVE.....20% à 90% @ 30°C - sans condensation
 PRESSION ATMOSPHÉRIQUE700 à 1060 hPa

ENTREPOSAGE :

TEMPÉRATURE-10°C à +50°C
 HUMIDITÉ RELATIVE.....20% à 90% @ 30°C - sans condensation
 PRESSION ATMOSPHÉRIQUE700 à 1060 hPa

PROTECTION D'ENTRÉE

BOÎTIER DE COMMANDE.....IPX4
 ACTIONNEUR.....IPX4
 CHARGEUR NON TRANSPORTÉIPX5
 BATTERIEIPX5
 COMBINÉIPX5

CYCLES DE SERVICE

ACTIONNEUR.....10% (2 min./18 min.)
 CHARGEUREnviron 4 heures

ACOUSTIQUE

Niveau sonore pondéré A60 dB (A)

PRINCIPAUX SYMBOLES:

Vous trouverez les symboles suivants sur le chargeur, l'unité de commande et la batterie :



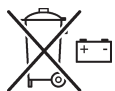
Equipement de type B, conformément à EN 60601-1



Equipement de Classe 2



Ne pas jeter le chargeur et l'unité de commande avec les déchets ménagers.



Ne pas jeter la batterie avec les déchets ménagers.



Ne pas jeter les composants électroniques avec les déchets ménagers.



Utilisation à l'intérieur



ATTENTION, consultez les documents fournis.

Numéro DEEE : WEE/GG0464RZ

10. Garantie

Joerns Healthcare possède un réseau d'agents de service et de distributeurs agréés qui se feront un plaisir de répondre à vos questions relatives à l'achat, la garantie, la réparation et l'entretien de votre matériel. Nous vous recommandons de confier la mise en service de nos produits à votre agent de service ou distributeur agréé.

Le programme de garantie est assuré par votre distributeur ou l'agent de service, il est donc important de conserver soigneusement ses coordonnées (nom, adresse et numéro de téléphone) afin de pouvoir le contacter en cas de problème. An cas de doute sur le lieu d'achat de votre lève-personne, Joerns Healthcare est en mesure d'identifier votre fournisseur à partir du numéro de série du lève-personne.

Toutes les réclamations au titre de la garantie sont conditionnées à l'usage et à l'entretien corrects et conformes au manuel d'utilisation livré avec chaque appareil. Tout endommagement résultant d'une utilisation dans des conditions inadaptées ou du non-respect des consignes d'entretien et d'utilisation n'est pas couvert pas la garantie. La garantie ne porte pas atteinte à vos droits légaux.

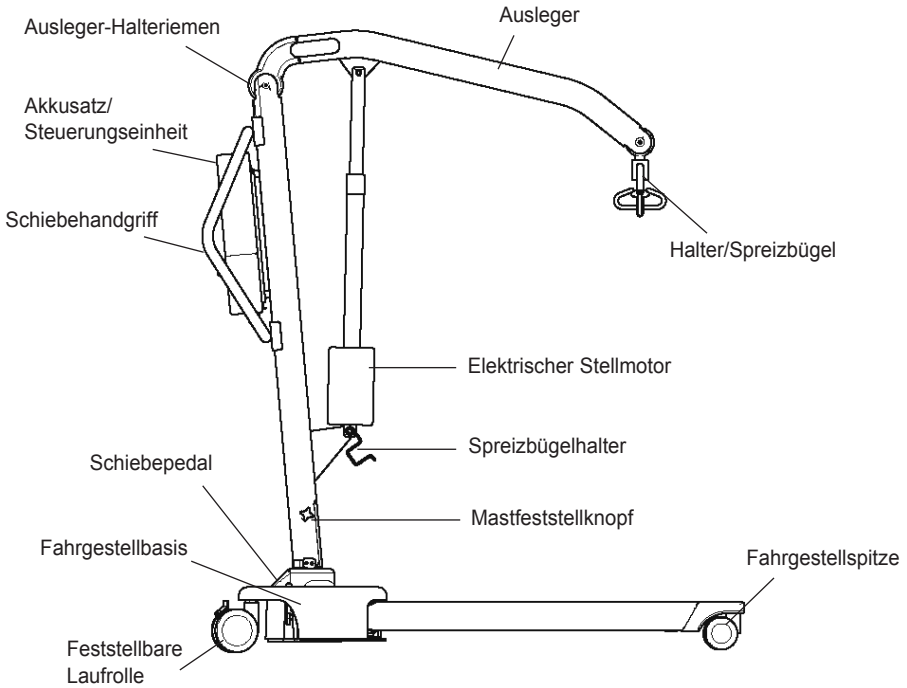
N'OUBLIEZ PAS: Contactez votre agent de service ou distributeur agréé pour vos achats, réparations, entretiens et maintenances certifiées.

Inhalt

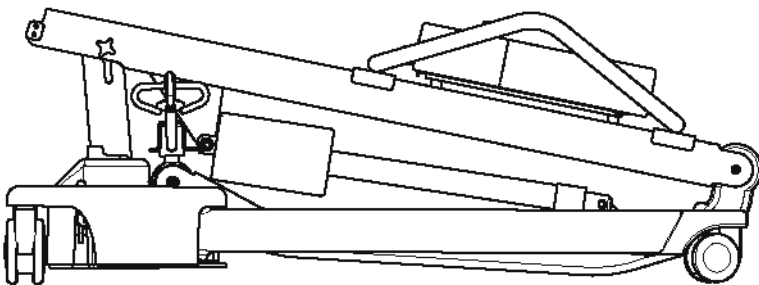
1. Oxford Advance Patientenlifter	51
2. Einführung: Oxford Advance Patientenlifter	52
3. Montage und Inbetriebnahme	53
4. Demontage	55
5. Sicherheitshinweise	58
6. Smart Monitor und Handbedienung	60
7. Bedienungshinweise	64
8. Wartungsplan	68
9. Technische Daten	70
10. Garantie	73

1. Oxford Advance Patientenlifter

Oxford Advance Lifter (betriebsbereit)



Oxford Advance Lifter (zusammengeklappt)



2. Einführung: Oxford Advance Patientenlifter

Der Lifter wird vor der Auslieferung vollständig montiert, unter Last getestet und zertifiziert.

Die Verpackung besteht aus einem festen, zweckmäßig geformten Versandkarton für den sicheren Transport des Lifters und wird sowohl für den heimischen Markt als auch für den Export verwendet. Mit jedem Lifter werden die zugehörigen Dokumente in einer beiliegenden Tasche geliefert, die für die spätere Verwendung sicher aufbewahrt werden müssen.

- PRÜFZERTIFIKAT
- HÄNDLER-GARANTIEKARTE
- BENUTZERHANDBUCH
- CUSTOMER SATISFACTION CARD

Das PRÜFZERTIFIKAT ist ein wichtiges Dokument und sollte für Referenzzwecke aufbewahrt werden. Für die ordnungsgemäße Wartung Ihres Lifters befolgen Sie bitte den Wartungsplan, der in diesem Dokument enthalten ist. Wenn Sie unsicher sind, welche Wartungsanforderungen für Ihren lokalen Markt gelten, erkundigen Sie sich bei Ihrem Händler und/oder bei der zuständigen Behörde.

Das CE-Zeichen: Der Oxford Advance trägt das CE-Zeichen und erfüllt die folgenden EU-Richtlinien:



- Richtlinie über Medizinprodukte (93/42/EWG)
- Richtlinie zur elektromagnetischen Verträglichkeit (89/336/EWG)
- Niederspannungsrichtlinie (73/23/EWG)

Sachgemäße Anwendung des Lifters

Die bestimmungsgemäße Verwendung dieser Hebevorrichtung ist das sichere Heben und Umlagern einer Person von einer Ruhefläche zu einer anderen (wie etwa von einem Bett in einen Rollstuhl). Joerns Healthcare empfiehlt, für die Umlagerung von Patienten eine vollständige Risikoanalyse durchzuführen und nur über kurze Entfernung umzulagern.

Der Oxford Advance ist für Patienten in SITZENDER, SITZENDER/LIEGENDER und LIEGENDER Position geeignet.

Der Oxford Advance ist dafür ausgelegt, die sichere Handhabung und das sichere Umlagern von Patienten sowohl für den Patienten als auch für die Pflegeperson zu unterstützen und zu fördern. Zum Falten ist kein Werkzeug erforderlich und er kann damit auch in beengten Platzverhältnissen einfach eingelagert werden. Der Oxford Advance kann auch in zwei Teile zerlegt werden, um den Transport in Fahrzeugen mit einem geeigneten Kofferraum zu ermöglichen.

Der Oxford Advance Patientenlifter verfügt über einen 6-Punkt-Spreizbügel und ist für die Verwendung mit Oxford Gurten ausgelegt. Beispiele für Gurte, die für dieses Gerät geeignet sind, werden wie folgt angegeben:

- Oxford Quickfit
- Oxford Gurt mit hohem Rücken
- Oxford Quickfit Deluxe
- Oxford Langer Sitz
- Oxford Access Gurt
- Oxford Silkfit

Erwartete Lebensdauer

Oxford Professional Patientenlifter sind für eine Lebensdauer von mindestens zehn (10) Jahren ausgelegt und geprüft, vorausgesetzt, die in diesem Handbuch beschriebenen Verfahren für Gebrauch und Wartung werden eingehalten. Bei einer Verwendung, die nicht den Angaben in dieser Anleitung entspricht, kann die Lebensdauer beeinträchtigt werden.

3. Montage und Inbetriebnahme

Kartoninhalt

Stellen Sie den Versandkarton in einem freien Arbeitsbereich auf, und öffnen Sie ihn vorsichtig. Der Karton enthält folgende Teile:

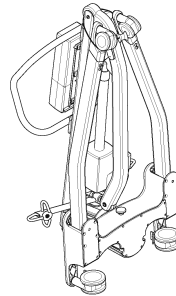
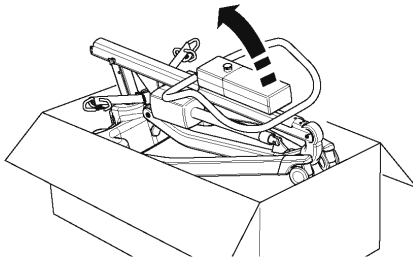
- OXFORD ADVANCE
- TASCHE MIT DOKUMENTEN
- HANDBEDIENUNG
- AKKUEINHEIT
- AKKULADEKABEL

SICHERHEITSHINWEIS: Der Oxford Advance ist schwer und muss vorsichtig gehoben werden. Holen Sie sich Hilfe, um den Oxford Advance aus dem Karton zu heben.

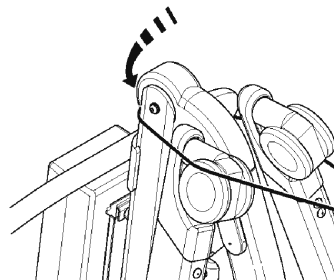
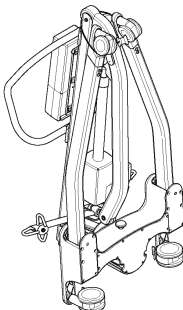
Montageanweisungen

1. Nehmen Sie alle Teile aus dem Karton heraus, legen Sie sie auf den Boden und achten Sie darauf, dass die Oberfläche des Geräts nicht beschädigt wird.

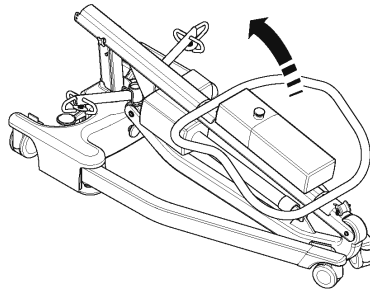
Heben Sie den Advance vorsichtig aus dem Karton heraus. Stellen Sie den Lifter hochkant (Dreiecksstellung).



2. Lösen Sie Fahrgestell und Mast-Baugruppe, indem Sie den Halterriemen von den Rädern entfernen. Der Riemen wird im oberen Bereich des Mastes eingezogen.

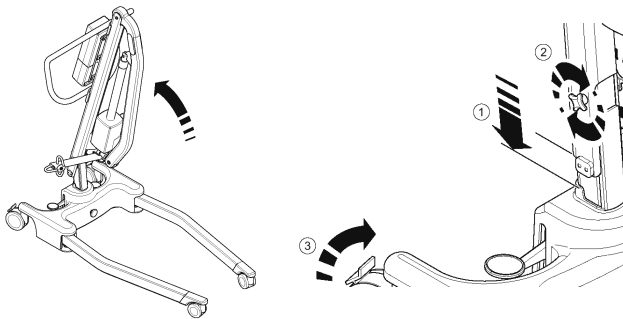


3. Legen Sie den Advance flach auf den Boden (vergewissern Sie sich, dass die hinteren Laufrollen festgestellt sind).

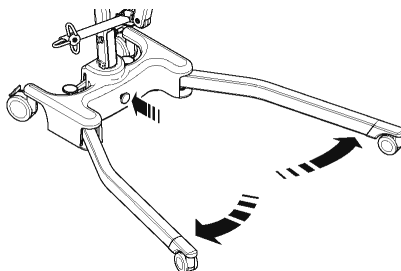


4. Heben Sie den kompletten Mast aufrecht an (mit der Oberseite des Schiebegriffs) und senken Sie den Mast so in die Aussparung ab, dass die Schilder mit den Einrastmarkierungen des Masts (1) ausgerichtet sind, ziehen Sie die Einrastknöpfe für den Mast (2) fest und lösen Sie die Bremse an den Lenkrädern (3).

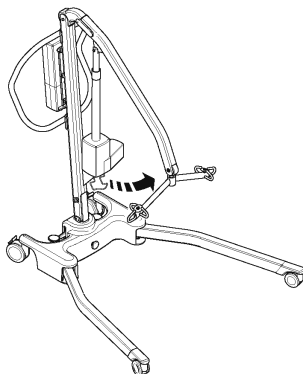
SICHERHEITSHINWEIS: Quetschgefahr: Halten Sie die Finger vom Mastende fern, wenn Sie den Mast in die Mastaufnahme einsetzen. Ziehen Sie den Mast-Feststellknopf fest, und lösen Sie die festgestellten hinteren Laufrollen.



5. Spreizen Sie die Träger des Fahrgestells vollständig auf. VERGEWISSERN SIE SICH, dass der Fahrgestell-Feststellknopf bündig in der Fahrgestellbasis eingerastet ist und dass die Träger nicht mehr frei beweglich sind. Die Träger lassen sich dann nur noch mit dem Fußpedal auf der Rückseite der Basis verstellen.

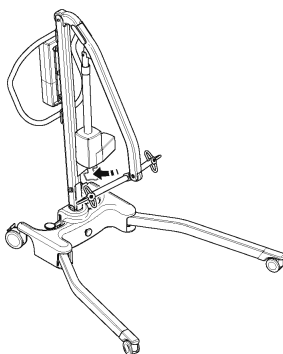


6. Lösen Sie den Spreizbügel aus dem Spreizbügelhalter. Der Lifter ist jetzt betriebsbereit.

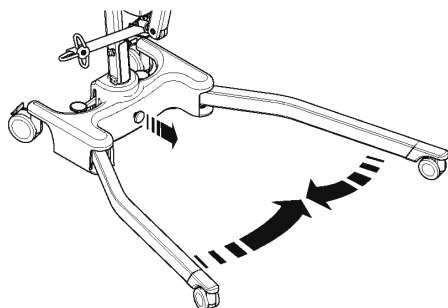


4. Demontage

1. Senken Sie den Mast in die niedrigste Position, und setzen Sie dann den Spreizbügel in den Spreizbügelhalter.

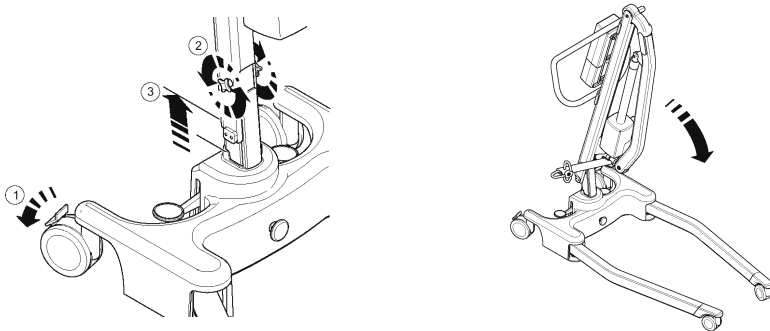


2. Lösen Sie die Fahrgestellsicherung (aus der Fahrgestellbasis ziehen) und führen Sie die Fahrgestellträger eng zusammen.

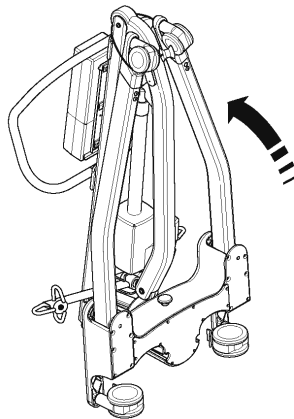


3. Lösen Sie die Mast-Feststellknöpfe (2 - nicht vollständig herausdrehen), heben Sie die Mast/Ausleger-Baugruppe an (3), und legen Sie diese vorsichtig auf dem Fahrgestell ab. Verwenden Sie dabei den Schiebehandgriff.

HINWEIS: Wenn Sie Mast und Ausleger von Fahrgestellbasis und -trägern trennen möchten, drehen Sie die Mast-Feststellknöpfe vollständig heraus (entfernen), und heben Sie Mast und Ausleger vollständig aus der Basis. Achten Sie darauf, dass Knopf und Positionszapfen der Mastsicherung nicht gelöst werden.

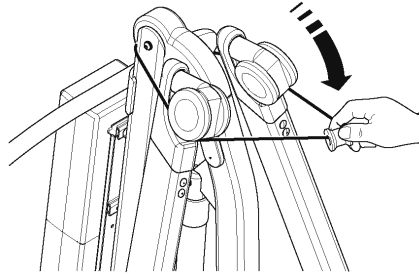


4. Stellen Sie den zusammengeklappten Advance hochkant (mit Fahrgestellträgern und Schiebehandgriff führen), und achten Sie darauf, dass Mast und Ausleger beim Hochstellen zusammen bleiben.



5. Ziehen Sie den Halteriemer steil nach oben, und legen Sie ihn über die Laufrollen. (Mit dem Riemen werden Fahrgestell, Mast und Ausleger für Transport und Lagerung arretiert).

HINWEIS: Das Zerlegen bzw. Aufstellen des Advance ist mit Vorsicht auszuführen, da die Gefahr besteht, dass Finger oder andere Körperteile beteiligter Personen gequetscht werden. Befolgen Sie strikt die Anweisungen, und holen Sie sich Hilfe, wenn Ihnen die korrekte Vorgehensweise nicht klar ist.



PRÜFEN SIE VOR DEM BETRIEB STETS DIE FOLGENDEN PUNKTE

- Die Fahrgestellträger sind vollständig gespreizt und gesichert (siehe Montageanweisungen, 5).
- Der Mast ist ordnungsgemäß in seiner Lage gesichert (siehe Montageanweisungen, 4)
- Die Fahrgestellträger des Lifters lassen sich einwandfrei spreizen und zusammenführen.
- Der rote Not-Aus-Knopf auf der Rückseite der Steuereinheit befindet sich in der Position OFF (Aus).
- Drücken Sie die Aufwärts- und Abwärts-Tasten auf der Handbedienung, und vergewissern Sie sich, dass sich der Ausleger hebt und senkt.
- Setzen Sie die Akkueinheit in den Lifter ein und vergewissern Sie sich, dass der Verschluss, der die Einheit an ihrem Platz hält, vollständig eingerastet ist. Die Einheit muss mit einem klickenden Geräusch einrasten.

5. Sicherheitshinweise

Lesen und befolgen Sie die nachfolgend aufgeführten Sicherheitshinweise. Betrieb und Funktionsweise des Oxford Patientenlifters sind einfach und direkt. Wenn Sie diese grundlegenden Sicherheitsvorkehrungen beachten, ist der Hebebetrieb leicht und problemlos.

DER "ADVANCE" LIFTER DARF NUR VON PERSONEN VERWENDET WERDEN, DIE DIESES BENUTZERHANDBUCH GELESEN UND VERSTANDEN HABEN.

WARNUNG: Wichtige Sicherheitsinformationen über Gefahren, die schwere Verletzungen zur Folge haben können.

VORSICHT: Informationen zur Vermeidung von Beschädigungen am Produkt.

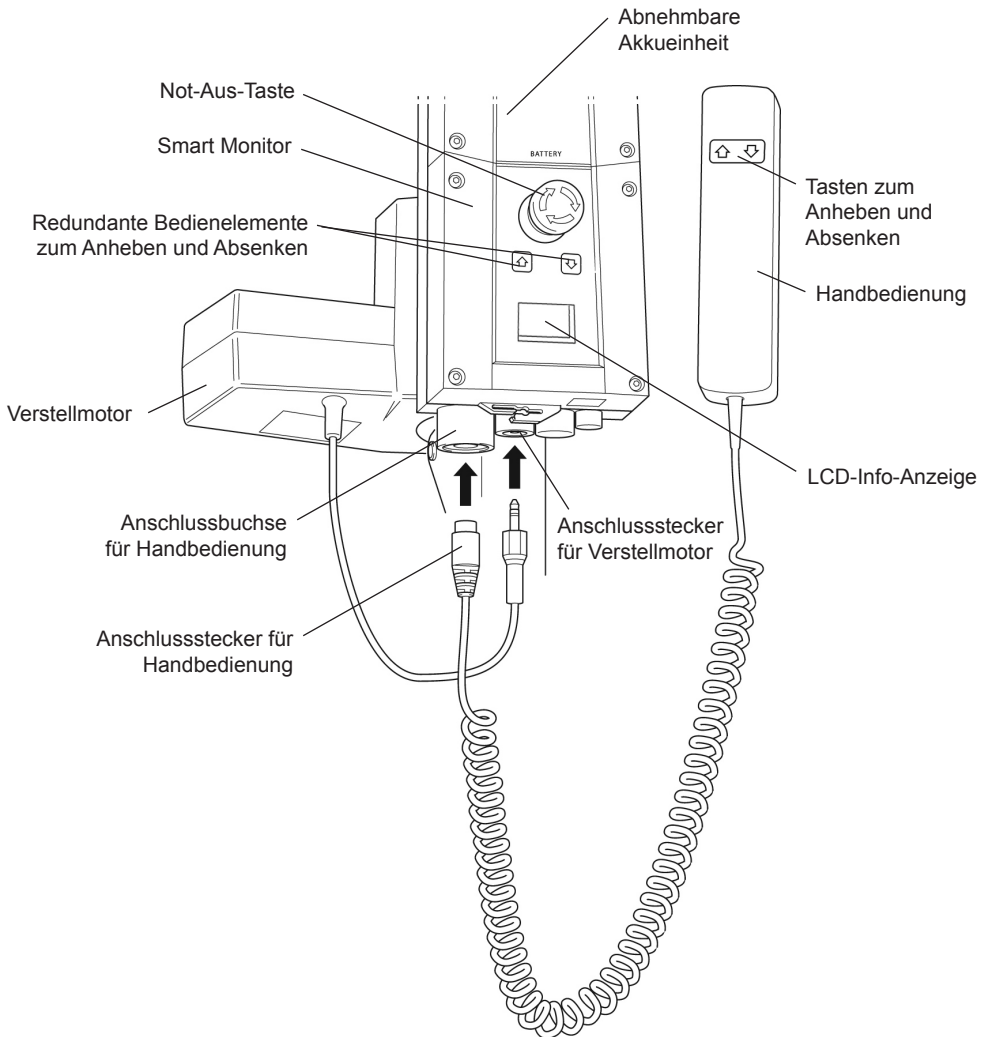
HINWEIS: Informationen, auf die Sie besonders achten sollten.

WARNUNG

- Planen Sie die mit dem Lifter auszuführenden Aufgaben **STETS** bevor Sie beginnen.
- Gehen Sie vor jedem Einsatz des Lifters die **TÄGLICHE PRÜFLISTE** (Seite 76) durch.
- Machen Sie sich vor jedem Heben von Patienten mit den Bedienungselementen und Sicherheitseinrichtungen des verwendeten Lifters vertraut.
- Verwenden Sie **KEINE** Gurte, die nicht ausdrücklich zur Verwendung mit diesem Lifter empfohlen werden.
- Prüfen Sie **STETS**, ob der Gurt für den speziellen Patienten geeignet ist und die korrekte Größe und Tragfähigkeit besitzt.
- Verwenden Sie **NIEMALS** Gurte, die ausgefranst oder beschädigt sind.
- Passen Sie die Gurte **STETS** gemäß den Anweisungen (Benutzerhandbuch) an.
- Vergewissern Sie sich, dass die zulässige Arbeitsbelastung des Lifters für das Gewicht des Patienten ausreicht.
- Bedienen Sie den Lifter **STETS** gemäß den Anweisungen im Betriebshandbuch.
- Bedienungs- oder Sicherheitselemente dürfen **AUF KEINEM FALL** entfernt oder außer Kraft gesetzt werden, um den Lifter-Betrieb zu vereinfachen.
- Heben Sie Patienten **NIEMALS** mit festgestellten Laufrollen an. Der Lifter muss sich stets auf den richtigen Schwerpunkt positionieren können.
- Manövrieren Sie den Lifter **NIEMALS** durch Schieben am Mast, Ausleger oder am Patienten.
- Manövrieren Sie den Lifter **STETS** mit dem vorhandenen Handgriff.
- Senken Sie den Patienten vor Beginn des Transfers **STETS** auf die niedrigste bequeme Position.
- Schieben Sie den beladenen Lifter **NICHT** bei Geschwindigkeiten, die über der Schrittggeschwindigkeit liegen (3 km/h, 0,8 m/s).
- Schieben Sie den Lifter **NICHT** über unebene oder raue Flächen, insbesondere wenn er beladen ist.

- Schieben/ziehen Sie den beladenen Lifter NICHT über Hindernisse am Boden, die von den Laufrollen nicht überfahren werden können.
- Betätigen Sie die Bedienungs-/Sicherheitselemente NIEMALS mit Gewalt. Alle Elemente sind leichtgängig und ohne Gewalt zu betätigen.
- Die MINDESTLAST zum manuellen Absenken des Patientenlifters mit der mechanischen Notabsenkung beträgt 30 kg.
- Parken Sie den beladenen Lifter NICHT auf schiefen Ebenen.
- Verwenden Sie elektrische Lifter NICHT in Duschbädern.
- Laden Sie elektrische Lifter NICHT in Bädern oder Duschräumen auf.
- Heben Sie KEINE Patienten, wenn Sie nicht dafür ausgebildet und kompetent sind.
- Der Lifter ist zum Heben von Patienten konzipiert worden. Er darf für KEINE anderen Zwecke verwendet werden.
- Der Lifter darf weder in beladenem noch in unbeladenem Zustand Stufen heruntergeschoben werden.
- Führen Sie den beladenen Lifter NICHT über schiefe Ebenen mit mehr als 1:12 (ca. 5 Grad) Gefälle.
- Führen Sie den Lifter NICHT ohne zweiten Helfer über schiefe Ebenen.
- Achten Sie vor dem Bewegen STETS darauf, dass der Lifter nicht gerade aufgeladen wird, da der elektrische Anschluss beschädigt werden kann.

6. Smart Monitor und Handbedienung



Bestimmungsgemäße Verwendung

Der Oxford Smart Monitor ist ein Steuersystem für mobile Oxford Patientenlifter. Der Smart Monitor speichert nützliche Servicedaten zum Patientenlifter, die bei Bedarf aufgerufen werden können. Zu den Servicedaten gehören:

- Anzahl der mit Patienten durchgeführten Hübe
- Gesamtleistung des Verstellmotors
- Anzahl der Überlasten am Patientenlifter (Hubversuche über der maximalen Tragfähigkeit)
- Anzahl der Tage seit dem letzten Serviceintervall

In den Oxford Smart Monitor ist ein Mikroprozessor eingebaut, mit dem Servicedaten über die eingebaute LCD-Anzeige ausgelesen werden kann.

Funktionen

- Datensammlung im Steuerkasten mit Anzeige der Daten über eine LCD-Anzeige
- Leistungszähler
- Intelligenter Hubzähler
- Serviceanzeige
- Serviceintervallanzeige
- Überlastinformationen
- 3-stufige Akkuanzeige


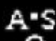


Vorteile

- Mehr Sicherheit für Patienten und Pflegepersonal
- Korrekte Servicedaten auf Knopfdruck verfügbar
- Optimierte Lebensdauer des Produkts
- Einfache Wartung für Mechaniker und Servicemechaniker
- Schnelle und einfache Bestimmung von Fehlern

LCD Anzeige

Mit dem Oxford Smart Monitor können Daten über die LCD-Anzeige ausgelesen werden. Es können die Gesamtzahl der Hubvorgänge, Gesamtleistung, Überlasten und Anzahl der Tage seit dem letzten Service ausgelesen werden, die zur schnellen und einfachen Beurteilung des Zustands des Hubverstellmotors verwendet werden können.

Der Zugriff auf die Daten erfolgt durch Drücken der Taste 'UP' an der Handbedienung für ½ Sekunde oder der redundanten Taste 'UP' am Smart Monitor.

	12034	— Gesamtzahl der Hübe
	1257000	— Gesamtleistung (Ampere * Sekunden)
	7	— Anzahl der Überlasten
	90/180	— Anzahl der Tage (seit dem letzten Service) / Anzahl der Tage (zwischen einem Service und dem nächsten)

Informationen zu Service und Verwendung



Wenn ein Service fällig ist, erscheint das Service-Symbol auf dem Display. Wenn die Handbedienung aktiviert ist, gibt der Smart Monitor auch ein akustisches Signal ab, das den Benutzer darauf hinweist, dass ein Service erforderlich ist.

Das Service-Symbol wird jedes Mal angezeigt, wenn die Taste zum Anheben oder Absenken an der Handbedienung gedrückt wird. Wenn das Service-Symbol angezeigt wird, wenden Sie sich sofort an Ihren autorisierten Fachhändler, um einen Termin für einen Service zu vereinbaren.

Sie können den Patientenlifter für kurze Zeit weiter benutzen, bis ein Service durchgeführt wurde.

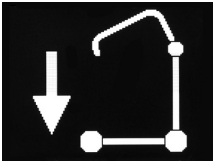


Wenn der Patientenlifter wegen einer Überlast (ein Versuch, mehr als die maximal zulässige Tragkraft anzuheben) stoppt, erscheint das Überlast-Symbol auf der LCD-Anzeige und der Patientenlifter funktioniert erst wieder, wenn die zusätzliche Last (über der maximalen zulässigen Tragkraft) abgenommen wurde.

WARNUNG

Wenn die LCD-Anzeige auf Ihrem Smart Monitor eine Überlast erfasst hat, empfiehlt Joerns Healthcare, vor der weiteren Benutzung ALLE täglichen Routineprüfungen am Patientenlifter durchzuführen (eine Liste der täglichen Überprüfungen finden Sie im Benutzerhandbuch des Patientenlifters). Joerns Healthcare empfiehlt auch, dass Sie sich für weitere Informationen an Ihren autorisierten Oxford Fachhändler wenden.

Eingebaute redundante Steuerung

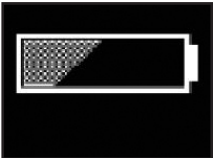


Mit der eingebauten redundanten Steuerung kann der Patientenlift im Notfall angehoben oder abgesenkt werden.

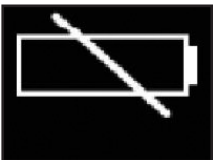
Angaben zum Akku



Wenn auf dem Display ein voller Akku angezeigt wird, heißt das, dass der Akku ganz aufgeladen und der Patientenlift betriebsbereit ist.



Wenn auf dem Display eine halb leerer Akku angezeigt wird, heißt das, dass der Akku aufgeladen werden muss.



Das Symbol mit dem leeren Akku auf dem Display zeigt an, dass der Akku ganz leer ist und sofort aufgeladen werden sollte.

⚠ WARNUNG

Um eine mögliche Dauerschädigung des Akkus zu vermeiden, sollte der Akku aufgeladen werden, wenn das halb leere Akkusymbol auf dem Display angezeigt wird.

7. Bedienungshinweise

1. Einstellen der Fahrgestellbreite

Die Breite des Fahrgestells am Oxford Advance ist einstellbar. Die Fahrgestellträger können gespreizt werden, um Sessel oder Rollstühle zu umschließen. Für den Transfer durch enge Türen und Durchgänge sollten die Träger zusammengeführt werden.

Um das Fahrgestell zu verstellen, wird das Einstellpedal auf der Rückseite der Fahrgestellbasis entweder nach rechts (UNTEN) (Träger spreizen) oder nach links (OBEN) gedrückt (Träger schließen). Die Träger können auch verstellt werden, während sich der Patient im Lifter befindet. Unabhängig davon, ob der Lifter beladen oder unbeladen ist, muss das Verstellen während der Fahrt erfolgen.

WARNUNG

Heben Sie niemals, wenn sich die Fahrgestellträger in der geschlossenen bzw. Transportposition befinden. Die geschlossene Position eignet sich nur für Lagerung und Transport.

2. Laufrollen und Feststellbremsen

Der Lifter besitzt zwei feststellbare Laufrollen, die beim Abstellen benutzt werden. Während des Hebevorgangs müssen die Laufrollen frei und ungebremst sein, sodass sich der Lifter stets zum richtigen Schwerpunkt hin bewegen kann. Betätigen Sie NICHT die Bremse, da der Patient beim Heben mit festgestellten Laufrollen möglicherweise zum Schwerpunkt schwenkt und dies beunruhigend oder unangenehm sein kann.

3. Heben und Senken des Auslegers

Die Hubbewegung des Auslegers erfolgt durch einen leistungsstarken elektrischen Stellmotor, der mit einer einfachen Handbedienung gesteuert wird. Auf der Handbedienung befinden sich zwei Taster mit den Richtungspfeilen AUFWÄRTS und ABWÄRTS. Der Stellmotor stoppt automatisch in der oberen bzw. unteren Endlage. Die Handbedienung ist an einer Buchse unten an der Steuereinheit angeschlossen. Auf der Rückseite der Handbedienung befindet sich ein Haken, mit dem man die Handbedienung bei Nichtbenutzung am Mast oder Ausleger aufhängen kann.

4. Not-Aus

Der rote Not-Aus-Taster befindet sich auf der Rückseite der Steuereinheit und wird durch Drücken ausgelöst. In diesem Fall wird die gesamte Stromzufuhr zum Lifter unterbrochen. Um den Not-Aus-Zustand aufzuheben, wird der Taster gegen den Uhrzeigersinn gedreht, bis er herauspringt.

5. Redundante Steuerung

Alle Oxford Patientenlifter sind mit Tasten zum Anheben und Absenken am Steuerkasten ausgestattet. Sie befinden sich unter der Not-Aus-Taste und können beim Ausfall der Handbedienung zum Absenken/Anheben des Patienten verwendet werden.

6. Mechanische Notabsenkung

Für den Fall eines kompletten Stromausfalls ist der elektrische Stellmotor mit einem mechanischen Senkmechanismus (ROTTER KNOFF) ausgestattet. Der Mechanismus funktioniert nur, wenn sich der Lifter unter Last befindet. Zum Auslösen ziehen Sie den Mechanismus nach oben. Die Vorrichtung senkt sich langsam ab.

HINWEIS: Die MINDESTLAST zum manuellen Absenken des Patientenlifters mit der mechanischen Notabsenkung beträgt 30 kg.

7. Akkus

Die Akkus werden durch einen LADEZUSTANDSALARM vor zu starker Entladung geschützt. Dieser Alarm ertönt bei Betätigung der Handbedienung, wenn die Batterien aufgeladen werden müssen. Der Alarmton wird nur dann ausgelöst, wenn die Handbedienung betätigt wird. **VORSICHT: DIESER ALARM IST UNBEDINGT ZU BEACHTEN.** Führen Sie den Hebevorgang zu Ende, und laden Sie die Akkus der Lifter auf (siehe „Aufladen der Akkueinheit“).

8. Gurte

Der ausgewählte Gurt wird an den Haken des Hehebügels befestigt. Für jeden Gurt werden spezielle Anweisungen mitgeliefert. Lesen Sie bitte vor Gebrauch die Anweisungen für den Lifter und für den Gurt. Wenn der passende Gurt für den Patienten ausgewählt ist, hängen Sie den Gurt an den Haken des Spreizbügels ein.

HINWEIS: Für detaillierte Anleitungen zur Befestigung siehe die Bedienungsanleitung für die Gurte.

WARNUNG

Joerns Healthcare empfiehlt, die Gurte regelmäßig und vor dem Gebrauch auf Ausfransen oder andere Schäden zu prüfen. Verwenden Sie KEINE Gurte, die abgenutzt oder beschädigt sind.

WARNUNG

OXFORD EMPFIEHLT DIE VERWENDUNG VON ORIGINAL OXFORD-TEILEN. Bespannungen und Lifts von Oxford sind frei miteinander kombinierbar. Länderspezifische Angaben zur Bespannung und Kompatibilität finden Sie im Etikett der Bespannung oder wenden Sie sich an Ihren örtlichen Händler oder an Joerns Healthcare.

WARNUNG

Bitte beachten Sie die maximale Tragfähigkeit des Lifters. Die Kapazität der Gurte ist durch die maximale Tragfähigkeit des Lifters begrenzt.

Aufladen der Akkueinheit

Wenn die Akkueinheit geladen werden muss, wird sie vom Patientenlifter abgenommen und an ein externes Ladegerät angeschlossen.

Joerns Healthcare empfiehlt, eine zusätzliche Akkueinheit zu beschaffen, damit immer eine Akkueinheit geladen werden kann.

1. Nehmen Sie die Akkueinheit aus dem Patientenlifter heraus. Die Einheit wird von einem einfachen Verschluss oben an der Akkueinheit gehalten. Wenn Sie den Verschluss anheben, wird die Akkueinheit freigegeben.
2. Schließen Sie die Akkueinheit an das Ladegerät an. Die Akkueinheit wird genauso am Ladegerät positioniert und verriegelt wie am Patientenlifter.
3. Stecken Sie den Netzstecker des Ladegeräts in eine geeignete Netzsteckdose ein und schalten Sie die Stromversorgung EIN.
4. Der Ladevorgang erfolgt automatisch und die Akkus sind nach vier (4) Stunden ganz aufgeladen.
Hinweis: Auch wenn das Ladegerät für längere Zeit eingesteckt bleibt, sind die Akkus vor Überladung geschützt.
 - a) Grünes Licht - Zeigt an, dass es eingeschaltet ist.
 - b) Gelbes Licht - Zeigt an, dass der Akku geladen wird.
 - c) Batterie ist ganz aufgeladen, wenn das gelbe Licht ausgeht.

Hinweis: Es wird empfohlen, den Akku sofort nach der Anlieferung aufzuladen.

5. Um den Patientenlifter wieder in Betrieb zu nehmen, schalten Sie die Stromversorgung AUS und nehmen Sie die Akkueinheit vom Ladegerät ab. Setzen Sie die Akkueinheit in den Patientenlifter ein und vergewissern Sie sich, dass der Verschluss, mit dem die Einheit gesichert ist, ganz eingerastet ist. Die Einheit muss mit einem Klickgeräusch einrasten. Das Laden der elektrischen Oxford Patientenlifter ist einfach, aber es ist wichtig, dass die Ladeanleitung genau befolgt wird. Beachten Sie dazu bitte die folgenden Punkte, die Ihnen dabei helfen, Probleme mit entladenen Akkus zu vermeiden.

WARNUNG

- **Akku, Ladegerät, Handsteuerung und Steuereinheit dürfen NUR von autorisiertem Personal geöffnet werden. (Wenden Sie sich wegen Garantie und Reparaturen an Ihren Fachhändler).**
- **Die Akkupole/Pole des Ladegeräts NICHT berühren.**
- **Die Akkus IMMER ganz aufladen. Lassen Sie die Akkueinheit immer aufladen, wenn sie nicht benutzt wird. Wenn es für Sie einfacher ist, laden Sie sie jede Nacht auf. Das Ladegerät schützt die Akkueinheit vor dem Überladen.**
- **Die Akkus NIE ganz entladen lassen. Sobald das Alarmsignal ertönt, den Hebevorgang zu Ende führen und die Akkus aufladen.**
- **Um eine mögliche Dauerschädigung des Akkus zu vermeiden, sollte der Akku aufgeladen werden, wenn das halb leere Akkusymbol auf dem Display angezeigt wird.**
- **Den Akku IMMER in regelmäßigen Abständen nachladen, wenn er für längere Zeit nicht verwendet wird.**

- **STETS** darauf achten, dass die Netzspannung zum Ladegerät ausgeschaltet ist, bevor das Akkupaket angeschlossen oder abgenommen wird.
- Das Akkupaket **NIE** am Ladegerät angeschlossen lassen, wenn die Netzspannung zum Ladegerät ausgeschaltet ist.
- **DAS LADEGERÄT NICHT** eingeschaltet lassen, wenn der Akku nicht angeschlossen ist.
- **DEN PATIENTENLIFTER WÄHREND DES LADEVORGANGS NICHT** benutzen.
- **ÜBERPRÜFEN** Sie vor dem Verfahren, dass der Patientelifter nicht aufgeladen wird, da der elektrische Anschluss sonst dadurch beschädigt werden kann.
- **DAS LADEGERÄT KEINESFALLS** durch Ziehen am Kabel ausstecken.
- **ACHTEN SIE DARAUF**, dass Sie nicht über das Ladekabel stolpern.
- **LADEN SIE ELEKTRISCHE PATIENTENLIFTER NICHT** in Bädern oder Duschräumen auf.

8. Wartungsplan für den Oxford Advance

Alle Oxford Produkte sind so konzipiert, dass sie nur ein Minimum an Wartung benötigen. Einige Sicherheitsprüfungen und -prozeduren sind jedoch unerlässlich. Im Folgenden sind die täglich auszuführenden Prüfungen aufgeführt. Eine Liste der Ersatzteile erhalten Sie auf Anfrage.

TÄGLICHE PRÜFLISTE

Joerns Healthcare empfiehlt dringend, dass der Lifter täglich vor der Benutzung auf folgende Punkte überprüft wird:

- VERGEWISSERN SIE SICH, dass sich der Lifter frei auf den Laufrollen bewegen kann.
- VERGEWISSERN SIE SICH, dass der Spreizbügel frei drehbar und schwenkbar ist. Der Spreizbügel muss fest am Ausleger angebracht sein.
- PRÜFEN Sie Gurthaken am Spreizbügel und Seitenaufhängungen auf übermäßigen Verschleiß. Im Zweifelsfall nicht verwenden.
- PRÜFEN Sie Gurte auf Ausfransungen und andere Schäden. Beschädigte Gurte dürfen NICHT verwendet werden.
- VERGEWISSERN SIE SICH, dass das Fahrgestell sich einwandfrei öffnet und schließt.
- Betätigen Sie Handbedienung um sicherzustellen, dass sich der Ausleger einwandfrei hebt und senkt.
- PRÜFEN Sie, ob am Lifter ein Ladezustandsalarm vorliegt, wenn die Handbedienung betätigt wird (nur Elektro-Ausführung). Wenn der Alarm ertönt, darf der Lifter NICHT verwendet werden und muss sofort aufgeladen werden.
- Prüfen Sie die Funktionsfähigkeit des Not-Aus-Tasters (nur bei Elektro-Ausführung).

WARTUNG, INSPEKTION UND PRÜFUNG

Joerns Healthcare empfiehlt eine regelmäßige gründliche Inspektion und Prüfung des Oxford Advance Lifters und der Zubehörteile (Gurte usw.). Die Häufigkeit der Inspektionen ist je nach Einsatzort unterschiedlich, d.h., Sie müssen sich bei Ihrem Händler oder bei der zuständigen Behörde vor Ort erkundigen, wie oft eine Inspektion durchgeführt werden muss. Die Untersuchung und der Test müssen nach den in diesem Handbuch angegebenen Empfehlungen und Verfahrensweisen durchgeführt werden. Joerns Healthcare empfiehlt, dass Wartung, Inspektion und zertifizierte Prüfungen nur von autorisierten Servicevertretern/ Händlern durchgeführt werden.

HINWEIS: Diese Empfehlungen entsprechen den Vorschriften für Großbritannien und Nordirland gemäß No2307 Health and Safety: The Lifting Operations and Lifting Equipment Regulations 1998 (Vorschriften zur Arbeitssicherheit für Hebevorgänge und Lifter). Außerhalb von Großbritannien und Nordirland gelten die Vorschriften des jeweiligen Landes.

***DIESE PRÜFUNGEN SOLLTEN UMFASSEN:**

	Anfangs	Vor dem Gebrauch	Wartungsintervalle
1. SPREIZBÜGEL: Vergewissern Sie sich, dass der Spreizbügel frei dreh- und schwenkbar ist. Prüfen Sie den zentralen Stift auf Verschleiß. Prüfen Sie, dass der Stift fest mit dem Ausleger verbunden ist.	✓	✓	✓
2. AUSLEGER: Prüfen Sie die Verbindung von Ausleger und Mast. Stellen Sie sicher, dass der Ausleger sich nur geringfügig seitlich bewegen und sich frei im Lager des Auslegers drehen kann.	✓	✓	✓
3. MAST: Prüfen Sie die Funktion des Mast-Feststellknopfes. Achten Sie darauf, dass der Mast in der entsprechenden Buchse einrastet. Prüfen Sie die Halterung des unteren Stellmotors.	✓	✓	✓
4. STELLMOTOR: Der Stellmotor muss, abgesehen vom Prüfen auf korrekten Betrieb und außergewöhnliche Geräusche, nicht gewartet werden.			✓
5. SMART MONITOR: Überprüfen Sie die Funktion der Not-Aus-Taste. Überprüfen Sie, dass der richtige Anschluss in die Buchse an der Handbedienung eingesteckt ist. Überprüfen Sie die Funktion der Handbedienung. Überprüfen Sie die redundanten Bedienelemente und dass sie ordnungsgemäß funktionieren. Hinweis: Die MINDESTLAST zum manuellen Absenken des Patientenlifters mit der mechanischen Notabsenkung beträgt 30 kg.	✓	✓	✓
6. AKKUS: Die Akkus befinden sich in der Akkueinheit und müssen, abgesehen vom regelmäßigen Aufladen (siehe "Aufladen der Akkueinheit"), nicht gewartet werden. Achten Sie darauf, dass die Anschlüsse sauber bleiben.			✓
7. EINSTELLEN DER FAHRGESTELLBREITE: Prüfen Sie, dass das Fahrgestell nach innen und nach außen verstellt werden kann.	✓	✓	✓
8. LAUFROLLEN: Prüfen Sie, dass die Laufrollen fest mit dem Fahrgestell verbunden sind. Vergewissern Sie sich, dass die Laufrollen frei beweglich sind.	✓	✓	✓
9. REINIGUNG: Verwenden Sie zum Reinigen herkömmliche Seife und Wasser und/oder Desinfektionsmittel für harte Oberflächen. Starke chemische Reinigungsmittel oder Scheuermittel sollten nicht verwendet werden, da diese die Oberfläche des Lifters angreifen. Setzen Sie die elektrischen Teile keiner Feuchtigkeit aus.		✓	✓
10. BELASTUNGSPRÜFUNG: Die Belastungsprüfung sollte gemäß den Prüfverfahren vom Hersteller durchgeführt werden.			✓
11. FAHRGESTELL UND ROLLEN: Stellen Sie sicher, dass das Fahrgestell auf glattem, ebenem Boden steht (alle vier Rollen haben Bodenkontakt).	✓	✓	✓
12. GURTE: Prüfen Sie auf Verschleiß und Ausfransung.	✓	✓	✓
13. SCHMIERUNG: Schmieren Sie alle Drehgelenke, einschließlich Mast- und Auslegeranschlüsse, Pedal, Spreizbügelgelenk (nach Bedarf).			✓
14. BEFESTIGUNGSTEILE: Überprüfen Sie alle Muttern, Schrauben, Bolzen und Verbindungselemente auf übermäßige Abnutzung und festen Sitz. Bei Bedarf auswechseln.			✓

9. Technische Daten

Spezifikation

Zulässige Belastung.....	341 lbs.....	155Kgs
Maximale Gesamtlänge.....	51 inches.....	1300mm
Minimale Gesamtlänge.....	49 inches.....	1250mm
Maximale Gesamthöhe.....	73 inches.....	1860mm
Minimale Gesamthöhe.....	53.5 inches.....	1360mm

Abmessungen, zusammengeklappt

Höhe.....	17.1 inches.....	450mm
Tiefe.....	46.4 inches.....	1180mm
Breite.....	21.6 inches.....	550mm

Spreizbügel, maximale Höhe.....	66.5 inches.....	1690mm
Spreizbügel, anwendbare Mindesthöhe.....	15.3 inches.....	390mm
Höhe bei maximaler Reichweite.....	46 inches.....	1170mm
Reichweite bei maximaler Höhe.....	25.6 inches.....	650mm
Reichweite bei minimaler Höhe.....	13.7 inches.....	350mm
Maximale Reichweite*.....	32.8 inches.....	835mm
Wenderadius.....	55.9 inches.....	1420mm
Fahrgestell, gespreizt - äußere Breite.....	42.5 inches.....	1080mm
Fahrgestell, gespreizt - innere Breite.....	39.3 inches.....	1000mm
Fahrgestell, geschlossen - äußere Breite.....	26.3 inches.....	670mm
Fahrgestell, geschlossen - innere Breite.....	22.4 inches.....	570mm
Gesamthöhe des Fahrgestells.....	4.5 inches.....	115mm
Bodenabstand.....	1.1 inches.....	30mm
Doppelaufrollen vorne.....	3.0 inches.....	75mm
Laufrollen mit Feststellbremse hinten.....	3.9 inches.....	100mm

*Reichweite = Mitte Spreizbügel bis Vorderseite Mast

Gewicht

Mast, Fahrgestell, Ausleger.....	63.1 lbs.....	28.9kgs
Akkueinheit.....	6.2 lbs.....	2.8kgs
Gesamt.....	69.9 lbs.....	31.7kgs
Fahrgestell (ohne Akku).....	32.8 lbs.....	14.9kgs
Mast und Ausleger (ohne Akku).....	30.9 lbs.....	14.0kgs

Alle Maßangaben mit +5/-5 Grad Toleranz.

ANGABEN ZUR ELEKTRIK

AKKUS	24 V, aufladbar, geschlossene Blei/Säure-Akkus
AKKUKAPAZITÄT	3,2 Ah
EINGANGSSPANNUNG DES LADEGERÄTS (NENNWERT)	230VAC 50/60Hz
AUSGANGSSPANNUNG DES LADEGERÄTS (NENNWERT)	27,4/29,0 VDC@0,8A

SCHUTZ GEGEN STROMSCHLAG

LADEGERÄT	KLASSE II
PATIENTENLIFTER	INTERNE STROMQUELLE

STOSSFESTIGKEIT

LADEGERÄT	TYP B
PATIENTENLIFTER	TYP B

UMGEBUNGSBEDINGUNGEN

Außerhalb dieser Umgebungsbedingungen können Funktionsfähigkeit und Sicherheit unter Umständen beeinträchtigt werden.

BETRIEB

TEMPERATUR	>+5°C <+40°C
LUFTFEUCHTIGKEIT	20% - 90% @ 30°C (nicht kondensierend)
LUFTDRUCK	700 - 1060 hpa

LAGERUNG

TEMPERATUR	>-10°C <+50°C
LUFTFEUCHTIGKEIT	20% - 90% @ 30°C (nicht kondensierend)
LUFTDRUCK	700 - 1060 hpa

IP SCHUTZKLASSEN

STEUERKASTEN	IPX4
VERSTELLMOTOR	IPX4
EXTERNER LADEGERÄT	IPX5
BATTERIE	IPX5
HANDBEDIENUNG	IPX5

EINSCHALTDAUER

VERSTELLMOTOR	10% (2 Min. / 18 Min.)
LADEGERÄT	4 Stunden (ca.)

AKUSTIK

A-BEWERTETER SCHALLDRUCKPEGEL	64dB
-------------------------------------	------

WICHTIGE SYMBOLE:

Die folgenden Symbole werden am Ladegerät, am Steuerkasten und am Akku verwendet:



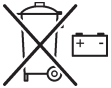
Medizinisches elektrisches Gerät, Typ B, gemäß EN 60601-1



Geräte der Klasse 2



Das Ladegerät und der Steuerkasten dürfen nicht als Hausmüll entsorgt werden



Die Akkus dürfen nicht als Hausmüll entsorgt werden.



Die elektronischen Bauteile dürfen nicht als Hausmüll entsorgt werden.



Für den Gebrauch im Haus



ACHTUNG, siehe die beigefügten Unterlagen

WEEE-Registriernummer der Herstellers: WEE/GG0464RZ

10. Garantie

Joerns Healthcare verfügt über ein Netz von autorisierten Fachhändlern und Kundendienstvertretungen, die Ihre Anfragen in Bezug auf Kauf, Garantie, Reparaturen und Wartung gerne beantworten. Wir empfehlen, die Inbetriebnahme unserer Produkte von Ihrem autorisierten Fachhändler oder Ihrer Kundendienstvertretung durchführen zu lassen.

Der Fachhändler oder die Kundendienstvertretung sind für das Garantieprogramm zuständig, deshalb ist es wichtig, dass Sie Namen, Adresse und Telefonnummer notieren, damit Sie sich an diesen bzw. diese wenden können, falls ein Problem auftritt. Wenn Sie sich nicht sicher sind, wo Ihr Patientenlifter gekauft wurde, teilen Sie Joerns Healthcare die Seriennummer des Patientenlifters mit und wir finden den Lieferanten für Sie.

Alle Garantieansprüche sind von der ordnungsgemäßen Benutzung und Wartung gemäß dem Benutzerhandbuch abhängig, das mit allen Patientenliftern mitgeliefert wird. Die Garantie gilt nicht für Schäden, die durch die Benutzung in ungeeigneten Umgebungsbedingungen oder dadurch verursacht wurden, dass die Wartung nicht gemäß dem Benutzer- und Wartungshandbuch durchgeführt wurde. Die Ihnen zustehenden gesetzlichen Rechte bleiben davon unberührt.

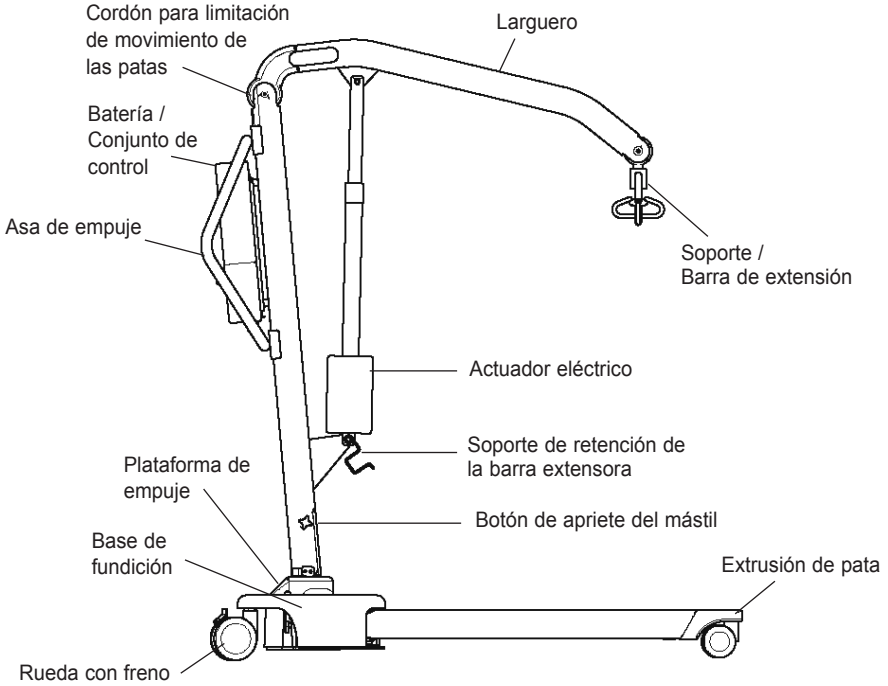
DENKEN SIE DARAN: Wenden Sie sich für Käufe, Reparaturen, Wartung und zertifizierte Wartung immer an Ihren autorisierten Fachhändler oder an Ihre Kundendienstvertretung.

Índice

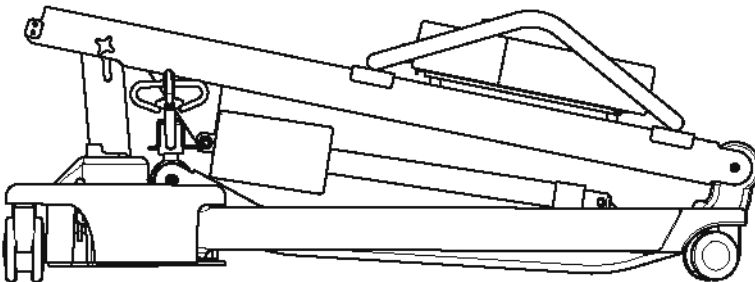
1. Elevador para pacientes Oxford Advance	75
2. Introducción.....	76
3. Instrucciones de montaje y encargo	77
4. Desmontaje	79
5. Precauciones de seguridad.....	82
6. Monitor Smart y control de mano.....	84
7. Instrucciones de funcionamiento.....	88
8. Plan de mantenimiento	92
9. Especificaciones técnicas	94
10. Garantía	97

1. Elevador para pacientes Oxford Advance

Elevador Oxford Advance (preparado para su uso)



Elevador Oxford Advance (posición de almacenamiento)



2. Introducción

Cada elevador está completamente montado, y ha sido verificado y certificado antes de ser embalado y enviado.

El embalaje consta de una caja de cartón resistente, hecha a medida, y se utiliza tanto para los envíos nacionales como para las exportaciones para asegurar que el equipo llegue intacto a su destino. Con cada elevador se envía una bolsa con varios documentos; esta bolsa debe conservarse para su consulta futura.

- CERTIFICADO DE VERIFICACIÓN
- MANUAL DEL USUARIO
- TARJETA DE GARANTÍA DEL PROVEEDOR
- TARJETA DE SATISFACCIÓN DEL CLIENTE

El CERTIFICADO DE VERIFICACIÓN es un documento importante y debe conservarse para su consulta. Para mantener adecuadamente su elevador, consulte el plan de mantenimiento incluido en este documento. Si no está seguro de cuáles son los requisitos de mantenimiento en su área geográfica, consulte a su proveedor y/o a una oficina de la administración local.

La marca CE: El Oxford Advance lleva la marca CE y cumple con las siguientes directivas de la CE:



- Directiva de Dispositivos Médicos (93/42/EEC)
- Directiva EMC (89/336/EEC) (Sólo componentes eléctricos)
- Directiva de bajo voltaje (73/23/EEC) (Sólo componentes eléctricos)

Declaración de uso al que está destinado

El uso previsto para este dispositivo es la elevación y transferencia seguras de un individuo de una superficie de descanso a otra (como de una cama a una silla de ruedas, por ejemplo). Joerns Healthcare recomienda que la transferencia de pacientes se lleve a cabo posteriormente a una evaluación de riesgos, y de manera segura, en una breve distancia solamente.

El sistema de elevación Oxford Advance se adapta a pacientes en posición SENTADA, SENTADA y RECOSTADA Y RECOSTADA.

El sistema Oxford Advance es un dispositivo de apoyo diseñado para promover la manipulación y transferencia seguras del paciente, tanto para el individuo que está siendo transportado como para la persona a cargo. El elevador se pliega sin necesidad de herramientas, lo que facilita el almacenamiento en entornos donde el espacio es reducido. El sistema Oxford Advance también puede separarse en dos secciones para facilitar el transporte en un vehículo con un espacio de almacenamiento adecuado.

El elevador de pacientes Oxford Advance incorpora una barra extensora de seis puntos y está diseñado para ser utilizado con la amplia gama de arneses Oxford. A continuación citamos ejemplos de arneses adecuados para uso con este dispositivo:

- Oxford Quickfit
- Oxford Asiento largo
- Oxford Full Back
- Oxford Arnés Access
- Oxford Quickfit Deluxe
- Oxford Silkfit

Vida útil estipulada previa al mantenimiento:

Los elevadores profesionales Oxford están diseñados y evaluados para durar un período mínimo de diez (10) años previamente a efectuarse algún tipo de mantenimiento, dependiendo del uso y cumplimiento con las tareas de mantenimiento establecidas en este manual. El uso diferente al establecido en estas instrucciones, podría comprometer la vida útil del producto.

3. Instrucciones de montaje y encargo

Contenido de la caja

Coloque la caja en una zona de trabajo despejada y ábrala con cuidado. La caja contiene:

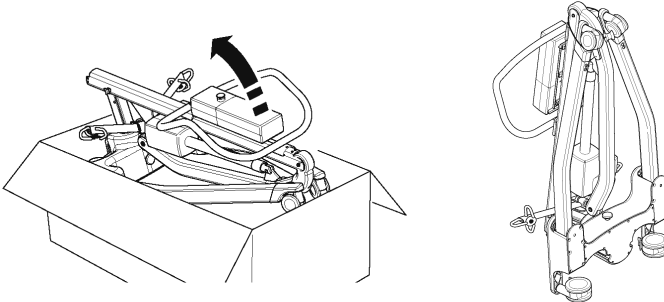
- OXFORD ADVANCE
- BOLSA CONTENIENDO DOCUMENTOS
- CONTROL DE MANO
- CONJUNTO DE BATERÍA
- TERMINAL DE CARGA DE BATERÍA

NOTA DE SEGURIDAD: El Oxford Advance es pesado y habrá que tener cuidado al levantarlo. Puede que necesite ayuda para levantar el Oxford Advance de la caja.

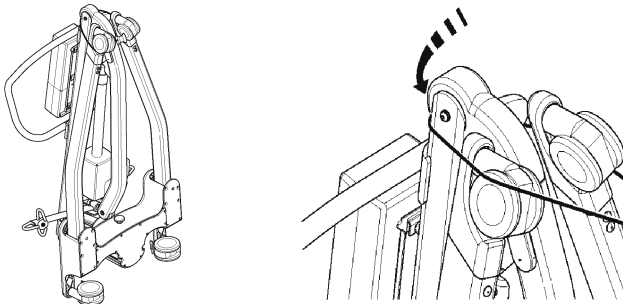
Instrucciones de montaje

1. Retire todas las piezas de la caja y colóquelas en el suelo, con cuidado de proteger el equipo de daños en su superficie.

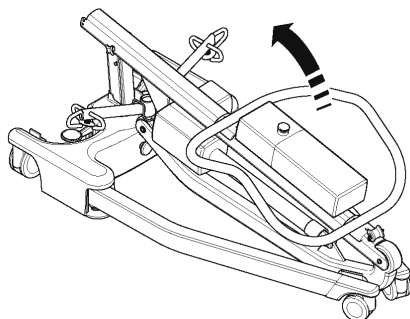
Levante el Advance con cuidado de la caja. Ponga el elevador en posición hacia arriba (en posición triangular).



2. Suelte la pata y el conjunto del mástil aflojando la correa de retención de las ruedas. Esta correa se retrae completamente en la parte superior de la sección del mástil.

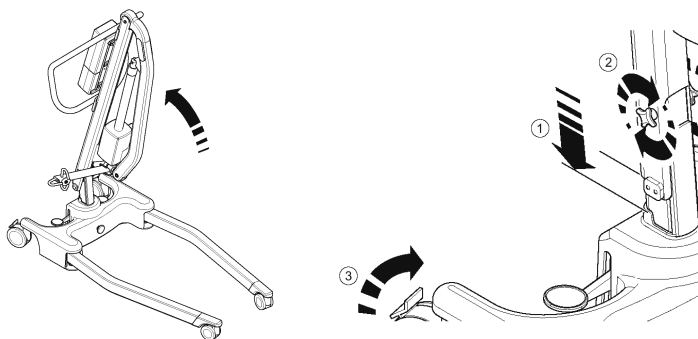


3. Ponga el Advance plano sobre el suelo (asegúrese de que las ruedas traseras estén bloqueadas).

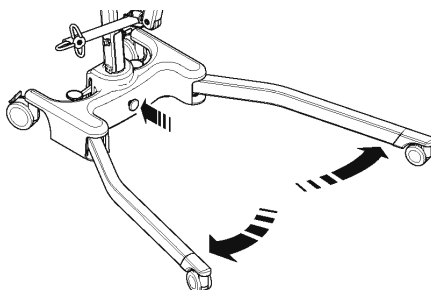


4. Levante el conjunto de piezas del mástil en posición vertical (utilizando la parte superior de la empuñadura) y coloque el mástil en la ranura, alineando las etiquetas de ensamblaje del mástil (1). Ajuste los pomos de fijación del mástil (2) y destrabe las rueditas (3).

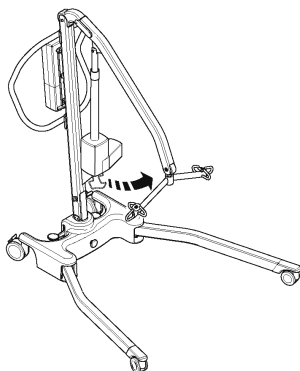
NOTA DE SEGURIDAD: Evite que los dedos queden atrapados. Mantenga los dedos alejados del extremo del mástil al insertarlo en la ranura del mástil. Apriete el dispositivo de bloqueo del mástil y libere las ruedas con freno en la parte posterior.



5. Abra las patas completamente. ASEGÚRESE de que el botón de bloqueo de la pata se inserta alineadamente contra la base de fundición y que las patas no se mueven ya libremente. Las patas solamente funcionarán mediante el uso del mecanismo de pedal situado en la parte posterior de la base.

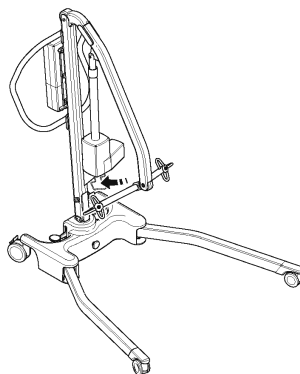


6. Libere la barra de extensión del soporte de retención y el elevador estará listo para su funcionamiento.

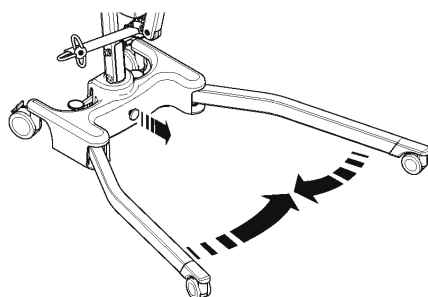


4. Desmontaje

1. Haga descender el mástil hasta la posición más baja posible, y después inserte la barra de extensión en el soporte de retención.

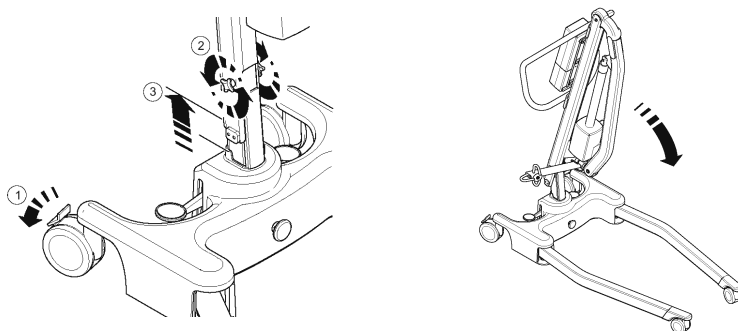


2. Libere el dispositivo de bloqueo de la pata (tirando hacia fuera desde la base de fundición), cierre las patas juntas.

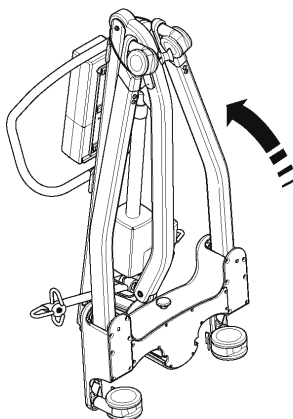


3. Afloje el dispositivo de bloqueo del mástil (2 - no completamente), levante el conjunto del mástil y del larguero (3) y pliegue con cuidado hacia las patas. Utilice el asa de empuje para ayudar en este movimiento.

NOTA: Si desea separar el mástil y el larguero completamente de la base y las patas, deshaga el dispositivo de bloqueo del mástil completamente (retirar) y levante el mástil y el larguero completamente para que queden libres desde la base. Tenga cuidado de no aflojar el dispositivo de bloqueo, el botón y el eje de localización del mástil.

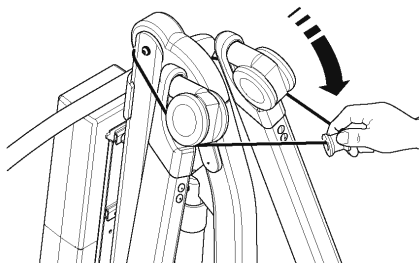


4. Levante el Advance plegado hacia arriba (utilizando las patas y el asa de empuje como guía), con cuidado de que el mástil y el larguero estén juntos al inclinarlo hacia arriba.



5. Tire de la correa de retención hacia arriba y extiéndala sobre las ruedas. (Esto mantendrá las patas, el mástil y el larguero juntos durante el transporte y almacenamiento).

NOTA: Tenga cuidado al plegar/desplegar el Advance, ya que hay peligro de que queden atrapados los dedos, etc. Por favor, siga las instrucciones cuidadosamente y pida ayuda si no está seguro del procedimiento correcto.



VERIFIQUE SIEMPRE LO SIGUIENTE ANTES DEL FUNCIONAMIENTO

- Las patas están completamente desplegadas desde la posición de guardadas (vea las instrucciones de montaje, 5)
- El mástil está completamente fijo en su posición (vea las instrucciones de montaje, 4)
- Las patas del elevador se abren y cierran satisfactoriamente.
- El botón rojo de emergencia, situado en la parte posterior del cuadro de control, está en posición OFF (apagado).
- Pulse los botones hacia arriba y hacia abajo del control de mano y confirme que el larguero sube y baja.
- Ponga el paquete de alimentación eléctrica en la grúa y cierre el pestillo que asegura el paquete para que éste no se mueva. Hará un sonido de "clic" cuando esté cerrado.

5. Precauciones de seguridad

Por favor, lea y siga las precauciones de seguridad que figuran más abajo. El funcionamiento y uso del elevador para pacientes Oxford es sencillo y fácil de comprender. Siguiendo estas precauciones básicas de seguridad, las operaciones de elevación serán fáciles y estarán libres de problemas.

LEA Y COMPRENDA EL MANUAL DE INSTRUCCIONES DEL USUARIO ANTES DE UTILIZAR SU ELEVADOR “ADVANCE”

ADVERTENCIA: Información de seguridad importante sobre peligros que podrían ocasionar lesiones serias.

PRECAUCIÓN: Información para evitar daños al aparato.

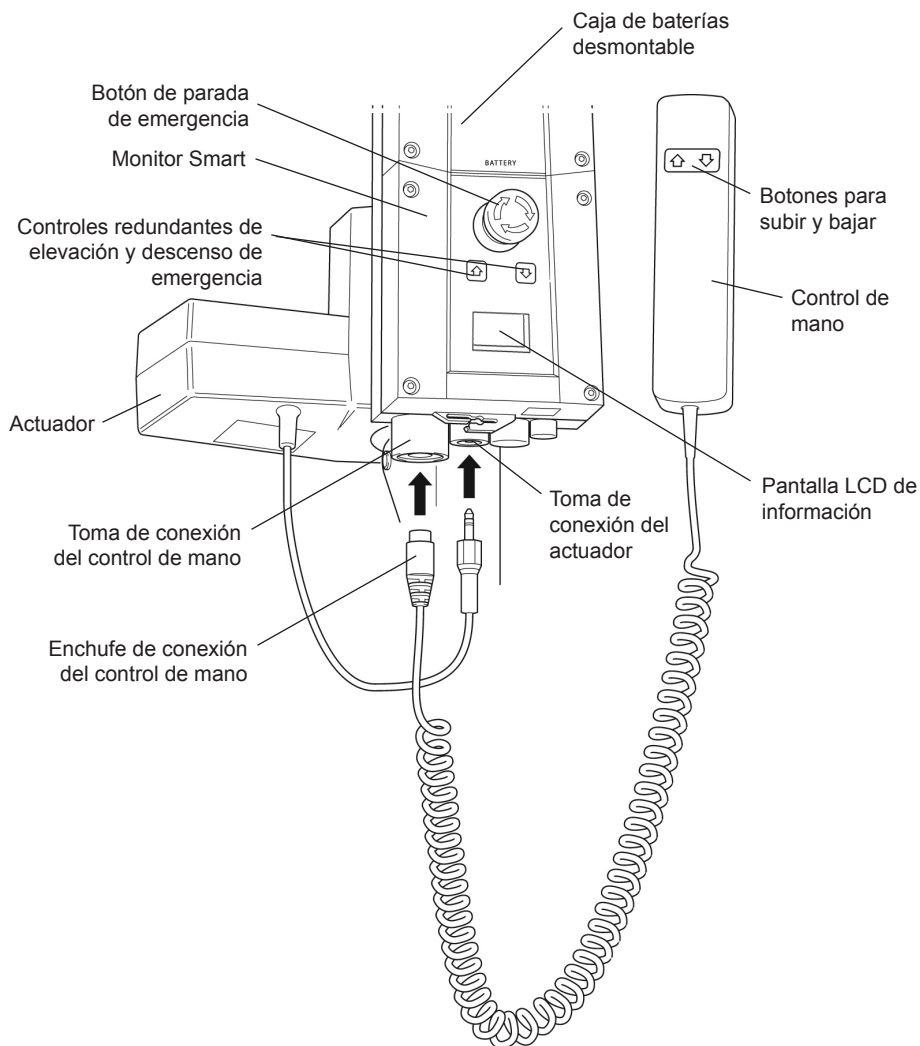
NOTA: Información a la cual usted debe prestar atención especial.

ADVERTENCIA

- **SIEMPRE** planifique sus operaciones de elevación antes de comenzar.
- **SIEMPRE** verifique la LISTA DE COMPROBACIÓN DIARIA (página 94) antes de utilizar el elevador.
- **SIEMPRE** familiarícese con el control de funcionamiento y características de seguridad de un elevador antes de levantar a un paciente.
- **NO** utilice una eslinga a no ser que esté recomendada para su uso con el elevador.
- Verifique **SIEMPRE** que la eslinga es adecuada para el paciente en particular y que su tamaño y capacidad son correctos.
- **NO** utilice **NUNCA** una eslinga si está deshilachada o presenta signos de daño.
- Encaje **SIEMPRE** la eslinga de acuerdo con las instrucciones que se indican (instrucciones del usuario).
- **SIEMPRE** compruebe que la carga de trabajo de seguridad del elevador es adecuada para el peso del paciente.
- **SIEMPRE** lleve a cabo las operaciones de elevación de acuerdo con las instrucciones en el manual del usuario.
- **NUNCA** desconecte o deje de realizar un control de seguridad o característica de seguridad porque parezca más fácil para el funcionamiento del elevador.
- **NO** levante a un paciente con los frenos de las ruedas activados. Deje siempre que el elevador encuentre el centro correcto de gravedad.
- **NO** intente maniobrar el elevador empujando el mástil, el larguero o al paciente.
- **SIEMPRE** maniobre el elevador por el asidero.
- **SIEMPRE** haga descender al paciente a la posición cómoda más baja posible antes de transferirlo.
- **NO** empuje un elevador cargado a velocidades que superen un ritmo de caminar lento (3 kilómetros/hora, 0,8 metros/segundo).
- **NO** empuje el elevador sobre terreno desnivelado o rugoso. Especialmente, si está cargado.

- NO intente empujar/tirar de un elevador cargado sobre una obstrucción en el suelo, que las ruedas no sean capaces de salvar.
- NUNCA fuerce un control de funcionamiento/seguridad. Todos los controles son fáciles de utilizar y no requieren el uso de una fuerza excesiva.
- La carga MÍNIMA necesaria para bajar el elevador de manera manual utilizando la función mecánica de descenso de emergencia equivale a 30 kg.
- NO aparque un elevador cargado sobre NINGUNA superficie en cuesta.
- NO utilice elevadores eléctricos en una ducha.
- NO cargue un elevador eléctrico en un baño o en una ducha.
- NO levante a un paciente a no ser que esté entrenado y sea competente para hacerlo.
- SU elevador está destinado a levantar pacientes. NO lo utilice, ni permita que se utilice, para cualquier otro fin.
- NO lleve el elevador dando tumbos hacia abajo en escaleras, tanto si está cargado como si está descargado.
- NO intente pasar con un elevador cargado por una pendiente que supere 1:12 (aproximadamente 5 grados).
- NO intente pasar con el elevador por una pendiente sin que haya alguien para ayudarlo.
- SIEMPRE compruebe que el elevador no esté cargándose antes de moverlo, ya que la conexión eléctrica podría dañarse.

6. Monitor Smart y control de mano



Uso destinado

El monitor inteligente, Oxford Smart Monitor, es un sistema de control para los elevadores Oxford Mobile. El monitor inteligente almacena información útil sobre el mantenimiento del elevador disponible para consultar cuando sea necesario. Esta información sobre el mantenimiento incluye:

- Cantidad de ciclos de elevaciones de pacientes
- Total de trabajo ejecutado por el actuador
- Cantidad de sobrecargas de elevación (intentos de elevación por encima de la carga de trabajo máxima permitida)
- Cantidad de días desde el último intervalo de mantenimiento

El monitor Smart Oxford incorpora un microprocesador que permite leer los datos de mantenimiento a través de la pantalla LCD integrada.

Características

- Recopilación de datos en el panel de control con datos visualizados en la pantalla LCD
- Contador de trabajo
- Contador de ciclos inteligente
- Indicador de tareas de mantenimiento
- Indicador de frecuencia de mantenimiento
- Información de sobrecarga
- Indicador de nivel de carga de las baterías de tres pasos


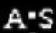
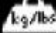

Beneficios

- Mayor seguridad tanto para el paciente como para el proveedor de cuidados
- Datos de mantenimiento precisos con solo tocar un botón
- Vida útil del producto optimizada
- Facilidad para realizar tareas de mantenimiento tanto para ingenieros como para los técnicos
- Identificación de errores rápida y fácil

Pantalla LCD

El monitor Smart Oxford incorpora un microprocesador que permite emitir la lectura de los datos de mantenimiento a través de la pantalla LCD integrada. Es posible emitir la lectura de los totales de los ciclos de elevación, los totales de trabajos realizados, de sobrecargas y la cantidad de días desde el último mantenimiento, datos que pueden utilizarse para evaluar el estado de el actuador de elevación de manera fácil y rápida.

Puede acceder a esta información pulsando durante medio segundo el botón “UP” (ARRIBA) del control de mano del usuario o el botón redundante “UP” (ARRIBA) del Monitor inteligente.

	12034	— Total de ciclos de elevación
	1257000	— Total de trabajo ejecutado (Amps * Segundos)
	7	— Cantidad de sobrecargas
	90/180	— Cantidad de días (desde el último mantenimiento) / Cantidad de días (entre mantenimientos)

Información sobre mantenimiento y uso



Cuando es momento de realizar el mantenimiento, aparecerá en la pantalla el símbolo correspondiente al mantenimiento. Además, cuando está activado el control de mano del usuario, el monitor inteligente emitirá una señal sonora para avisar al usuario que se necesita una operación de mantenimiento.

El símbolo de mantenimiento aparecerá cada vez que pulse las teclas hacia arriba o abajo en el control de mano del usuario. Cuando aparezca el símbolo de mantenimiento, póngase en contacto de inmediato con su agente de servicio autorizado para organizar el mantenimiento.

Puede seguir utilizando el elevador durante un breve periodo de tiempo hasta que llevado a cabo el mantenimiento necesario.

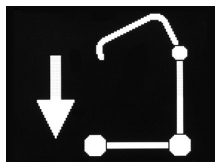


Si el elevador se detiene debido a una sobrecarga (si intenta levantar más peso de la carga máxima segura) aparecerá el símbolo de sobrecarga en la pantalla LCD y el elevador dejará de funcionar hasta que haya eliminado la carga adicional (por encima de la carga máxima segura).

ADVERTENCIA

Si la pantalla LCD del monitor inteligente hubiese registrado una sobrecarga, Joerns Healthcare recomienda que TODAS las tareas diarias de control se lleven a cabo en el elevador antes de su utilización (para obtener una lista de controles diarios, consulte el manual de usuario del elevador). Joerns Healthcare también recomienda que se ponga en contacto con su agente autorizado de servicios Oxford para obtener más orientación.

Controles redundantes integrados



Los controles redundantes integrados permiten que el elevador suba o baje en caso de emergencia.

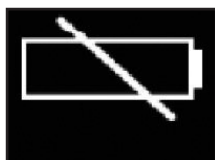
Información sobre la batería



Si aparece el icono de la batería completa, significa que la batería está completamente cargada y lista para usar.



Si aparece el icono de la batería a la mitad, significa que necesita cargar la batería.



Si aparece el icono de la batería vacía, significa que la batería carece de capacidad y debe cargarla de inmediato.

⚠ ADVERTENCIA

A fin de evitar posibles daños permanentes en la batería, debe colocar la batería a cargar en cuanto la pantalla indique el símbolo de la batería a la mitad.

7. Instrucciones de funcionamiento

1. Ajuste de las patas

Las patas del Oxford Advance son ajustables en cuanto a su anchura. Las patas pueden abrirse para permitir el acceso alrededor de sillas o de sillas de ruedas. Para transferir y para pasar por pasillos estrechos, las patas del elevador deben estar en posición cerrada.

Para conseguir el ajuste, el pedal de ajustador de pata, situado en la parte posterior de la base, se comprime a la derecha (ABAJO) para abrir las patas hacia fuera y a la izquierda (ARRIBA) para cerrar las patas. El ajuste se puede realizar con el paciente en el elevador, pero tanto si el aparato está cargado como si está descargado, el ajuste se debe realizar cuando el elevador se está moviendo.

ADVERTENCIA

Nunca realice una elevación con las patas en posición cerrada/transporte. La posición cerrada es solamente para almacenamiento y transporte.

2. Ruedas y frenos

El elevador tiene dos ruedas con frenos, que se pueden aplicar para dejarlo aparcado. Cuando se realiza la elevación, las ruedas se deben dejar libres y sin frenos, para que el elevador pueda moverse hasta el centro de gravedad. NO aplique los frenos porque, si se aplican los frenos, el paciente podría moverse hasta el centro de gravedad, y esto podría provocar desconcierto e incomodidad.

3. Subir y bajar el larguero

El movimiento del larguero se consigue mediante un potente actuador eléctrico, que está controlado por un sencillo control de mano. El control de mano tiene dos botones, con flechas direccionales ARRIBA y ABAJO. El actuador se detiene automáticamente en el límite del desplazamiento en ambas direcciones. El control de mano se enchufa en un enchufe en la base del cuadro de control. Hay un gancho en la parte posterior del control de mano, que sirve para dejarlo en el mástil o en el larguero cuando no esté en uso.

4. Para de emergencia

El botón de parada de emergencia rojo está situado en la parte posterior del cuadro de control y se activa pulsándolo. Esta acción de pulsarlo corta la alimentación eléctrica al elevador y sólo se puede desarmar girando el botón en sentido contrario a las agujas del reloj y soltándolo.

5. Controles redundantes

Todos los elevadores Oxford están equipados con botones de elevación y descenso en el panel de control. Estos están ubicados debajo del botón de parada de emergencia y se pueden utilizar para bajar o subir al paciente si se produce un fallo en el control de mano.

6. Descenso mecánico de emergencia

En el caso de fallo completo en el suministro eléctrico, el actuador eléctrico dispone de un dispositivo de descenso mecánico (CUBO ROJO). Esta característica sólo funcionará cuando el elevador tenga carga. Hay que tirar del dispositivo hacia arriba y comenzará un lento descenso.

Nota: La carga MÍNIMA necesaria para bajar el elevador de manera manual utilizando la función mecánica de descenso de emergencia equivale a 30 kg.

7. Baterías

Las baterías están protegidas de una fuerte descarga por una ALARMA DE VOLTAJE BAJO. Esta alarma dará un sonido cuando las baterías necesiten recarga y se esté manejando el control de mano. No sonará si el control de mano no se está manejando.

PRECAUCIÓN: NO IGNORE ESTA ALARMA DE ADVERTENCIA. Complete la operación de elevación y coloque el elevador en carga (vea las instrucciones de carga).

8. Eslingas

La eslinga seleccionada va sujeta a los ganchos de la barra de extensión; cada eslinga se suministra con instrucciones. Estudie la guía de instrucciones para el elevador y para la eslinga antes de su utilización. Una vez que haya seleccionado la eslinga correcta para el paciente, sujétela a los ganchos de la barra de extensión.

NOTA: Para obtener instrucciones de colocación más detalladas, consulte la guía del usuario proporcionada con cada eslinga.

ADVERTENCIA

Joerns Healthcare recomienda comprobar las eslingas regularmente y, en especial, antes del uso por si están deshilachadas o dañadas. NO utilice eslingas que estén desgastadas o dañadas.

ADVERTENCIA

OXFORD RECOMIENDA UTILIZAR PRODUCTOS AUTÉNTICOS OXFORD. Los sistemas Oxford de eslingas y elevación tienen un diseño que los hace compatibles entre sí. Para obtener información y consejos específicos acerca del uso y compatibilidad de las eslingas, consulte la etiqueta de la eslinga, o bien comuníquese con su distribuidor local de mercado o con Joerns Healthcare.

ADVERTENCIA

Consulte la capacidad de peso máximo del elevador. La capacidad de la eslinga está limitada por la capacidad máxima del elevador.

Instrucciones de Carga de Baterías

Cuando la central eléctrica necesita recarga, se la extrae del elevador y se conecta a una unidad externa de carga.

Joerns Healthcare recomienda disponer de otra central eléctrica, de manera que una esté recargada continuamente.

1. Extraiga la central eléctrica del elevador. La central está sujeta por un simple pestillo en la parte superior de la misma. Levante el pestillo y la central eléctrica quedará liberada.
2. Conecte la central eléctrica con la unidad de carga. La colocación y sujeción de la central eléctrica con el cargador es la misma que para el elevador.
3. Conecte el enchufe del cargador a una toma de electricidad y encienda la fuente de energía.
4. La acción de carga es automática y llenará totalmente las baterías en un período de entre cuatro (4) horas. **Nota:** Incluso si deja el cargador conectado durante períodos extensos no permitirá que se produzca una sobrecarga en las baterías.
 - a) Luz verde: Indica que el suministro eléctrico está encendido.
 - b) Luz amarilla: Indica que la batería se está cargando.
 - c) Las baterías estarán totalmente cargadas cuando se apague la luz amarilla.

Nota: Se recomienda que cargue la batería no bien reciba el producto.

5. Para hacer funcionar de nuevo el elevador, APAGUE la red de suministro eléctrico y desconecte el cargador de la central eléctrica. Monte la central eléctrica en el elevador y compruebe que el pestillo que sujeta la caja en su sitio esté perfectamente engranado. Al quedar perfectamente engranado, oír un "clic". Si bien la carga de los elevadores eléctricos Oxford es simple sencilla, es importante que siga las instrucciones de carga con precaución. Preste especial atención a los puntos siguientes, que le ayudarán a evitar problemas con las baterías descargadas.

ADVERTENCIA

- La batería, el cargador, el control de mano y la caja de control NO deben ser abiertos por personal no autorizado. (Comuníquese con el distribuidor por reparaciones y reclamos de la garantía).
- NO toque las terminales de la batería ni el cargador.
- MANTENGA las baterías completamente cargadas. Ponga la batería a cargar siempre que no esté utilizando el dispositivo. Si le resultase más práctico, póngala a cargar durante la noche. El cargador no permitirá que las baterías se sobrecarguen.
- NUNCA permita que las baterías se gasten por completo. No bien suene la alarma de advertencia, complete la operación de elevación y ponga a cargar la batería.
- A fin de evitar posibles daños permanentes en la batería, debe colocar la batería a cargar en cuanto la pantalla indique el símbolo de la batería a la mitad.
- NUNCA almacene la batería durante largos períodos de tiempo sin realizar cargas periódicas durante el período de desuso.
- SIEMPRE compruebe que la toma del cargador a la red de suministro eléctrico esté apagada antes de conectar o desconectar la batería.

- **NUNCA** deje la batería conectada con la toma del cargador a la red de suministro eléctrico apagada.
- **NO** deje el cargador encendido con la batería desconectada.
- **NO** use el elevador mientras carga la batería.
- **COMPRUEBE** que el elevador no se esté cargando antes de desplazarlo, ya que podría dañar la conexión eléctrica.
- **NUNCA** desconecte la toma del cargador tirando del cable.
- **PROCURE** no tropezar con el cable del cargador.
- **NO** cargue el elevador eléctrico en el cuarto de baño.

8. Plan demantenimiento para el Oxford Advance

Todos los productos Oxford están diseñados para un mínimo mantenimiento; sin embargo, son necesarias algunas comprobaciones y procedimientos de seguridad. A continuación se indica un plan de tareas DIARIAS. Si lo pide, le enviaremos una lista de piezas de repuesto.

LISTA DE COMPROBACIÓN DIARIA

Joerns Healthcare recomienda encarecidamente realizar las siguientes comprobaciones de manera diaria y antes de utilizar el elevador.

- ASEGÚRESE de que el elevador se mueve libremente sobre sus ruedas.
- ASEGÚRESE de que la barra de extensión está libre para girar y moverse. Compruebe que la barra de extensión está firmemente sujeta al larguero.
- EXAMINE los ganchos de las eslingas en la barra de extensión y los suspensores laterales por si tuvieran un excesivo desgaste. En caso de duda - no utilice el aparato.
- EXAMINE las eslingas para ver si están deshilachadas o tienen otros daños. NO utilice una eslinga si está dañada.
- ASEGÚRESE de que las patas se abren y cierran correctamente.
- OPERE el control de mano confirmar que el larguero se levanta y baja satisfactoriamente.
- CONFIRME que el elevador no está dando una alarma de batería baja cuando se maneja el control de mano (sólo elevadores eléctricos). Si la alarma suena, NO utilice el elevador y póngalo en carga inmediatamente.
- EN elevadores movidos por energía eléctrica, verifique el funcionamiento del botón de parada de emergencia.

MANTENIMIENTO, INSPECCIÓN Y PRUEBA

Joerns Healthcare recomienda realizar una inspección y comprobación completa y periódica del elevador y de los accesorios de elevación, como las eslingas. La frecuencia de la verificación varía de acuerdo con la localidad; compruebe con su distribuidor local o entidad gubernamental, según corresponda, en lo referente a la frecuencia de verificación estipulada. Todas las verificaciones y pruebas deben llevarse a cabo según las recomendaciones y procedimientos explicados en el presente manual. Joerns Healthcare recomienda que el mantenimiento, inspección y comprobación certificada las lleve a cabo un agente o proveedor de mantenimiento autorizado.

NOTA: Estas recomendaciones se dan en cumplimiento de los requisitos de 1998 N° 2307 Salud y Seguridad: Normas relativas a Operaciones de Elevación y Equipo de Elevación de 1998. Esta norma es del Reino Unido. Fuera del Reino Unido, revise los requisitos aplicables a su país.

***ESTAS COMPROBACIONES DEBEN INCLUIR:**

	Inicialmente	Antes del uso	Intervalos de servicio
1. BARRA DE EXTENSIÓN: Compruebe la barra de extensión para verificar si tiene libertad de rotación y giro. Compruebe si hay desgaste en el pivote central. Compruebe que está sujeta firmemente al larguero.	✓	✓	✓
2. LARGUERO: Compruebe la sujeción del larguero al mástil. Asegúrese de que sólo exista un mínimo movimiento lateral del larguero y de que el larguero esté libre para girar en su rodamiento.	✓	✓	✓
3. MÁSTIL: Verifique el funcionamiento del dispositivo de bloqueo del mástil. Asegúrese de que el mástil encaja completamente en el alojamiento. Verifique el montaje actuador inferior.	✓	✓	✓
4. ACTUADOR: El actuador no requiere otro mantenimiento que comprobar su funcionamiento correcto y escuchar si hay ruido no usual.			✓
5. MONITOR SMART: Compruebe el buen funcionamiento del botón de parada de emergencia. Compruebe que la toma del control de mano esté en perfecto estado. Verifique que el control de mano funciona correctamente. Verifique los controles redundantes y confirme que funcionan correctamente. Nota: La carga MÍNIMA necesaria para bajar el elevador de manera manual mecánica de descenso de emergencia equivale a 30 kg.	✓	✓	✓
6. BATERÍAS: Las baterías están alojadas en el conjunto de alimentación eléctrica y no requieren ningún mantenimiento más que su carga regular tal y como se detalla en las instrucciones de carga. Compruebe que las conexiones están limpias.			✓
7. AJUSTE DE LAS PATAS: Compruebe que las patas funcionan en toda su extensión (hacia dentro/hacia fuera).	✓	✓	✓
8. RUEDAS: Compruebe que todas las ruedas están firmemente sujetas a las patas. Verifique la libre rotación de las ruedas y de sus pivotes.	✓	✓	✓
9. LIMPIEZA: Limpie con jabón corriente y agua, y/o con cualquier desinfectante para superficies duras. Deben evitarse limpiadores químicos o abrasivos, ya que pueden dañar el acabado de la superficie del elevador. No moje ninguna pieza eléctrica.		✓	✓
10. PRUEBA DE CARGA: La prueba de carga debe ser llevada a cabo de acuerdo con los procedimientos establecidos por el fabricante.			✓
11. BASE Y RUEDAS: Asegúrese de que la base está colocada de manera uniforme y nivelada (las cuatro ruedas están en contacto con el suelo).	✓	✓	✓
12. ESLINGAS: Vea si están desgastadas o deshilachadas.	✓	✓	✓
13. LUBRICACIÓN: Aceite las juntas de los pivotes, incluyendo las conexiones del mástil y del larguero, el conjunto de pedal, la junta de la barra de extensión (sólo si es necesario).			✓
14. PIEZAS DE FIJACIÓN: Compruebe que todas las tuercas, pernos, tornillos y piezas de sujeción no presenten signos de desgaste excesivo ni estén ajustados en exceso. De ser necesario, reemplácelos.			✓

9. Especificaciones técnicas del Oxford Advance

Carga de trabajo segura	341 lbs.....	155Kgs
Longitud total máxima	51 pulg.....	1300mm
Longitud total mínima	49 pulg.....	1250mm
Altura total máxima.....	73 pulg.....	1860mm
Altura total mínima	53,5 pulg.....	1360mm

Dimensiones plegado

Altura	17,1 pulg.....	450mm
Profundidad	46,4 pulg.....	1180mm
Anchura.....	21,6 pulg.....	550mm

Altura máxima de la barra de extensión	66,5 pulg.....	1690mm
Altura mínima de la barra de extensión (utilizable)	15,3 pulg.....	390mm

Altura en alcance máximo	46 pulg.....	1170mm
Alcance en altura máxima	25,6 pulg.....	650mm
Alcance en altura mínima	13,7 pulg.	350mm
Alcance máximo*	32,8 pulg.....	835mm
Radio de giro	55,9 pulg.	1420mm
Patatas abiertas - Anchura externa	42,5 pulg.	1080mm
Patatas abiertas - Anchura interna	39,3 pulg.	1000mm
Patatas cerradas - Anchura externa.....	26,3 pulg.	670mm
Patatas cerradas - Anchura interna.....	22,4 pulg.	570mm
Altura total de las patas.....	4,5 pulg.	115mm
Distancia al suelo	1,1 pulg.	30mm
Par de ruedas delanteras.....	3,0 pulg.	75mm
Ruedas traseras con freno	3,9 pulg.	100mm

*Alcance = distancia entre el centro de la barra de extensión y la parte delantera del mástil.

Pesos

Mástil, base y conjunto de larguero.....	63,1 lbs.	28,9kgs
Conjunto de batería.....	6,2 lbs.	2,8kgs
Total	69,9 lbs.	31,7kgs
Conjunto de la base (sin incluir batería)	32,8 lbs.	14,9kgs
Mástil y larguero (sin incluir batería).....	30,9 lbs.	14,0kgs

Todas las medidas tienen un grado de +5/-5 de tolerancia.

SPECIFICACIONES ELÉCTRICAS

BATERÍAS	Selladas y recargables de plomo-ácido de 24 voltios
CAPACIDAD DE BATERÍAS:.....	3,2 Ah
ENTRADA MEDIDA DEL CARGADOR	230 V CA 50/60 Hz
SALIDA MEDIDA DEL CARGADOR.....	27,4/ 29,0 V CC a 0,8 A

PROTECCIÓN CONTRA DESCARGA ELÉCTRICA

CARGADOR.....	CLASE II
ELEVADOR.....	FUENTE DE ENERGÍA INTERNA

GRADO DE PROTECCIÓN CONTRA DESCARGA ELÉCTRICA

CARGADOR.....	TIPO B
ELEVADOR.....	TIPO B

CONDICIONES AMBIENTALES

Al aire libre, la funcionalidad y seguridad especificadas pueden verse comprometidas.

RANGO DE TEMPERATURA Y HUMEDAD

TEMPERATURA	>+5°C a <+40°C
HUMEDAD RELATIVA.....	20% a 90% a 30°C (no condensada)
PRESIÓN ATMOSFÉRICA	700 - 1060 Hpa

ALMACENAMIENTO

TEMPERATURA	>-10°C a <+50°C
HUMEDAD RELATIVA.....	20% a 90% a 30°C (no condensada)
PRESIÓN ATMOSFÉRICA	700 - 1060 Hpa

CLASIFICACIONES IP

CAJA DE CONTROL.....	IPX4
ACTUADOR	IPX4
CARGADOR EXTERNO	IPX5
BATERÍA	IPX5
CONTROL DE MANO.....	IPX5

CICLOS DE TRABAJO

ACTUADOR	10% (2 min. / 18 min.)
CARGADOR.....	4 horas (aprox.)

ACÚSTICA

NIVEL DE POTENCIA DE SONIDO (ESCALA PONDERACIÓN A).....	64 dB
---	-------

EXPLICACIÓN DE LOS SÍMBOLOS:

Los signos enunciados a continuación se utilizan en el cargador, la unidad de control y la batería:



Equipo de tipo B, según EN 60601-1



Equipo de clase



El cargador y la unidad de control no deben desecharse junto con los residuos domésticos



La batería no debe desecharse junto con los residuos domésticos.



Las piezas de electrónica no deben desecharse junto con los residuos domésticos



Para uso en interiores solamente



ATENCIÓN: consulte los documentos adjuntos

10. Garantía

Joerns Healthcare cuenta con una red establecida de distribuidores autorizados y agentes técnicos que estarán gustosos de responder a todas sus inquietudes respecto a la adquisición, garantía, reparación y mantenimiento de los productos. Se recomienda que un distribuidor autorizado o agente técnico encarguen nuestros productos.

El distribuidor o representante opera el Programa de la garantía; de manera que es importante conservar el nombre, dirección y teléfono para poder establecer contacto en caso de que surja algún problema. Si tiene dudas acerca del lugar de compra del elevador, Joerns Healthcare puede ubicar al proveedor si usted cita el número de serie del producto.

Todas las reclamaciones respecto de la garantía están sujetas a la correcta utilización y mantenimiento del producto, de acuerdo con el manual de instrucciones suministrado con cada elevador. La garantía pierde validez ante cualquier daño causado por el uso en condiciones ambientales inadecuadas o por falta de mantenimiento del producto según las instrucciones de mantenimiento para el usuario. Sus derechos legales no se verán afectados.

RECUERDE: Póngase en contacto con su distribuidor autorizado o agente técnico por adquisiciones, reparaciones, servicio y mantenimiento certificados.

Su distribuidor:

