

User Instruction Manual

Oxford® Calibre

To avoid injury, read user manual prior to use.

Manuel de l'utilisateur

Oxford® Calibre

Afin d'éviter tout accident, veuillez lire attentivement la notice avant utilisation.

Manual de Instrucciones

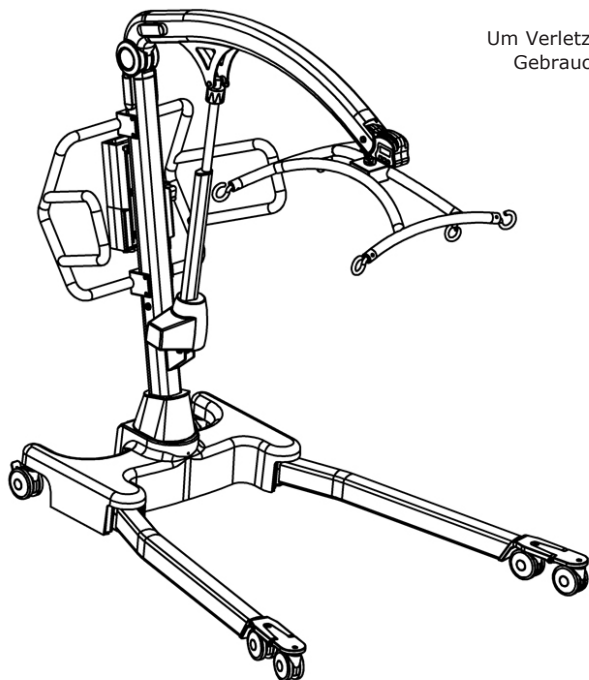
Oxford® Calibre

Para evitar posibles daños, lea previamente el manual de usuario.

Benutzerhandbuch

Oxford® Calibre

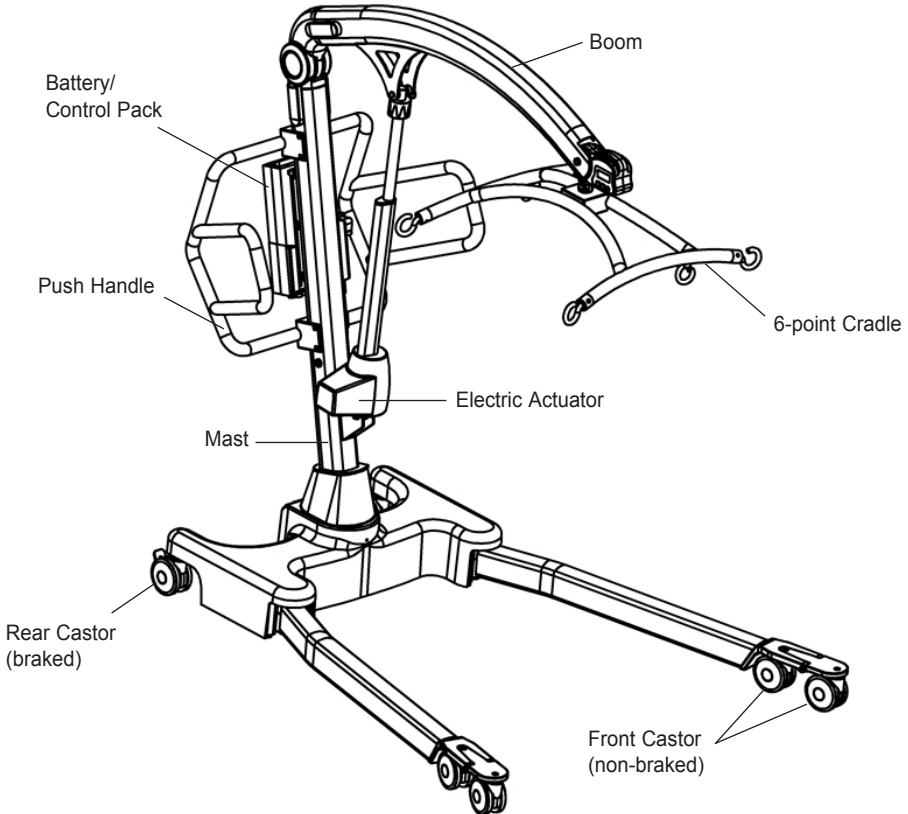
Um Verletzungen zu vermeiden, lesen Sie bitte die Gebrauchsanweisung vor der ersten Benutzung.



Contents

1. The Oxford Calibre Patient Lift.....	3
2. Introduction: About Your Lift	4
3. Assembly and Commissioning Instructions	5
4. Safety Precautions	10
5. Smart Monitor & Handset	12
6. Operating Instructions	16
7. Removal of 6-point Cradle System	18
8. Charging Instructions	20
9. Maintenance Schedule & Daily Check List	22
10. Technical Specifications.....	24
11. Warranty.....	27

1. The Oxford Calibre Patient Lift



2. Introduction: About Your Lift

Each Calibre lift is fully load tested and certified before being packed/shipped.

The packing consists of a strong, purpose built carton that is used for both export and domestic markets to ensure the safe arrival of the lift. A number of documents are supplied in a wallet, and packed with each lift and should be kept safely for future reference.

- TEST CERTIFICATE
- DEALER GUARANTEE CARD
- PACKING CHECK LIST
- USER MANUAL
- CUSTOMER SATISFACTION CARD

The TEST CERTIFICATE is an important document and will be required for your insurance records. It is valid for six months and after it has expired the lift should be inspected and serviced per the maintenance schedule.

To properly maintain your lift please refer to the maintenance schedule included in this document. If you are at all unsure what your country's servicing requirements are, please check with your dealer and/or a local government agency.

The CE mark:

The Oxford Calibre carries the CE mark and complies with the following EC directives:



- Medical Device Directive (93/42/EEC)
- EMC Directive (89/336/EEC)
- Low Voltage Directive (73/23/EEC)

Statement of Intended Use

The Oxford Calibre lift is a passive patient handling device intended for the safe lifting and transferring of patients up to a safe working load of 385 kg (850 lbs).

The Oxford Calibre lift is intended for INDOOR USE ONLY and must be operated by a MINIMUM of two people/carers.

The Oxford Calibre is an electrically operated patient lift, designed to support and promote safe patient handling and transfer for both the patient and carer.

The Oxford Calibre is suitable for patients in the SITTING, SITTING/RECUMBENT and RECUMBENT positions. The slings suitable for use with this device are listed as follows:

- Oxford Bariatric Hammock Sling (Safe working load - 385kg / 850lbs)

Expected Service Life

Oxford Professional lifts are designed and tested for a minimum service life of ten (10) years, subject to the use and maintenance procedures stated in this manual. Use, other than in accordance with these instructions, may compromise service life.

3. Assembly and Commissioning Instructions

Carton Contents

Place the carton in a clear working area and open carefully. The carton contains:

- OXFORD CALIBRE LIFT
- WALLET CONTAINING DOCUMENTS
- HAND CONTROL
- BATTERY PACK
- CHARGING LEAD
- DESK TOP CHARGER/STAND

Tools required

The following tools will be required for assembly:

- 13MM SOCKET
- TORQUE WRENCH

⚠ WARNING

Assembly and commissioning must be carried out by a competent engineer from an authorised Oxford Service Agent/Dealer.

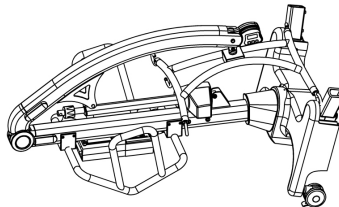
⚠ WARNING

A MINIMUM OF 2 PERSONS REQUIRED. The Oxford Calibre is heavy and will need to be lifted with care. You will need assistance to lift the Oxford Calibre from the carton.

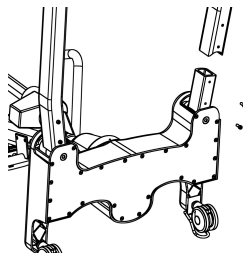
Assembly Instructions

Remove all the parts from the carton and place on the floor, taking care to protect the paint finish from damage.

1. Place the mast/base assembly in a clear space and lay with rear castors and push handle on floor.



2. Fit the left and right hand legs (check correct orientation) onto the chassis using two M10 screws per leg as provided.



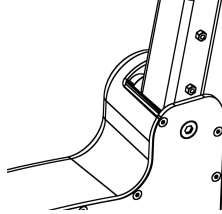
3. Tighten the M10 screws to secure each leg using a socket and torque wrench.

⚠ WARNING

Ensure the screws are secured firmly. It is recommended to tighten these to 10Nm

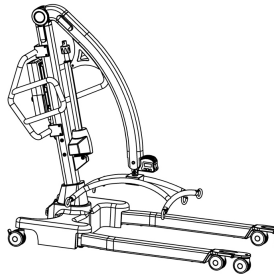
⚠ WARNING

Avoid trapping fingers. Keep fingers away from the end of the leg when inserting into the leg socket. Keep fingers away from the front castor bracket during assembly of the legs to the base.



4. Lift the Calibre onto its castors.

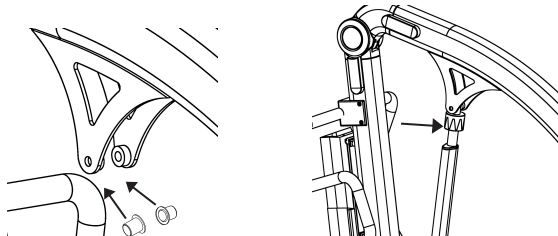
NOTE: On a flat surface, all 6 castors must be in contact with the floor.



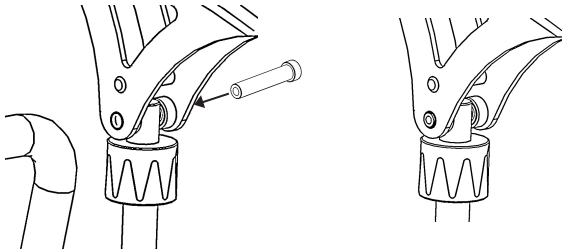
⚠ WARNING

The Calibre is extremely heavy, a minimum of 2 people will be required to lift the hoist.

5. Insert the two bushings into the outside of the mounting brackets on either side of the boom. Lift the boom and position the actuator so that the upper fixing hole align with the mounting bracket holes on the boom.



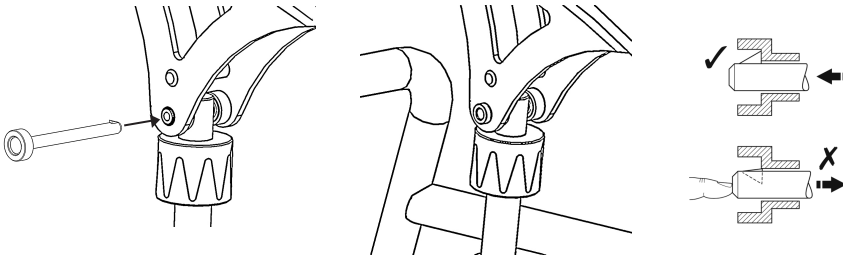
6. Insert quick-release pin sleeve into mounting bracket/actuator hole. Make sure the sleeve is fully engaged in the hole on both mounting brackets.



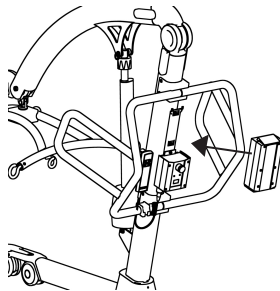
7. Insert the quick-release pin through the quick-release pin sleeve until it is fully located.

⚠ WARNING

Check that the quick-release pin has been fully inserted by trying to push the pin back out.



8. Fit power pack to the lift and make sure the latch holding the pack in place is fully engaged. "Click" in place. Check that the battery is fully charged.



9. Plug the handset into the control box.

Disassembly

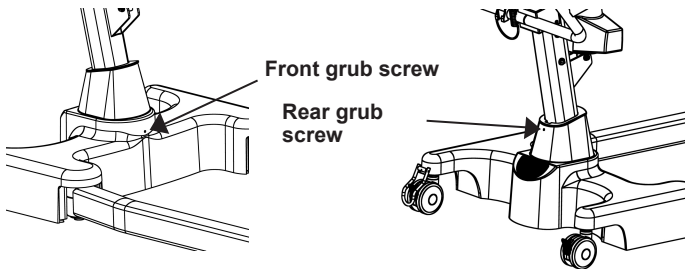
⚠ WARNING

Disassembly must be carried out by a competent engineer from an authorised Oxford Service Agent/Dealer.

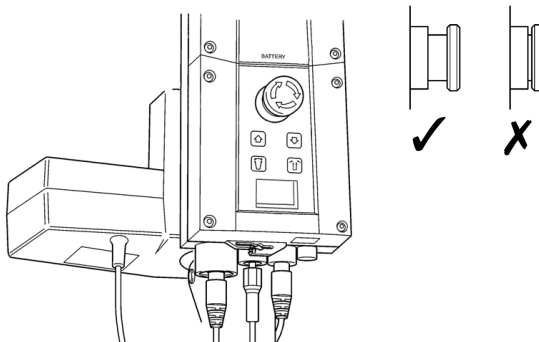
The lift should not be disassembled unless for service, repair or transport if necessary. Therefore follow the assembly instructions in reverse sequence.

ALWAYS CHECK THE FOLLOWING BEFORE OPERATION

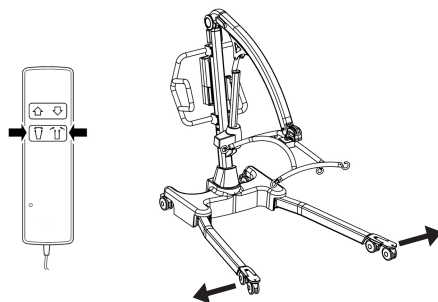
- The mast is fully locked into position by checking the grub screws at the front and rear of the base are tight.



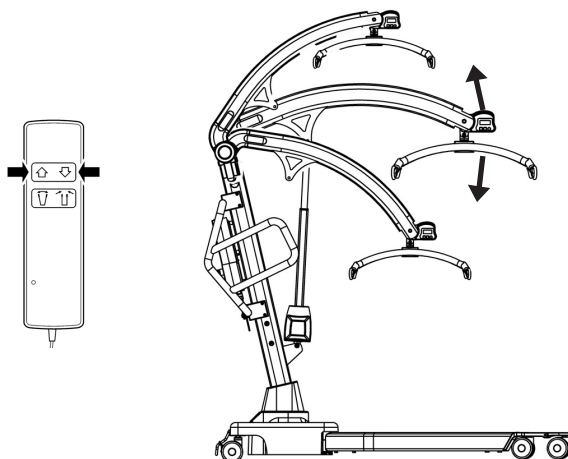
- The red emergency stop button, located on the rear of the control box, is in the OFF (out) position.



- The legs of the lift open and close satisfactorily (This is done via the hand control).



- Push the up and down buttons on the hand control and confirm the boom rises and lowers.



4. Safety Precautions

Please read and follow the safety precautions listed below. The operation and use of Oxford patient lifts is simple and straight-forward. Following these few basic safety precautions will make lifting operations easy and trouble free.

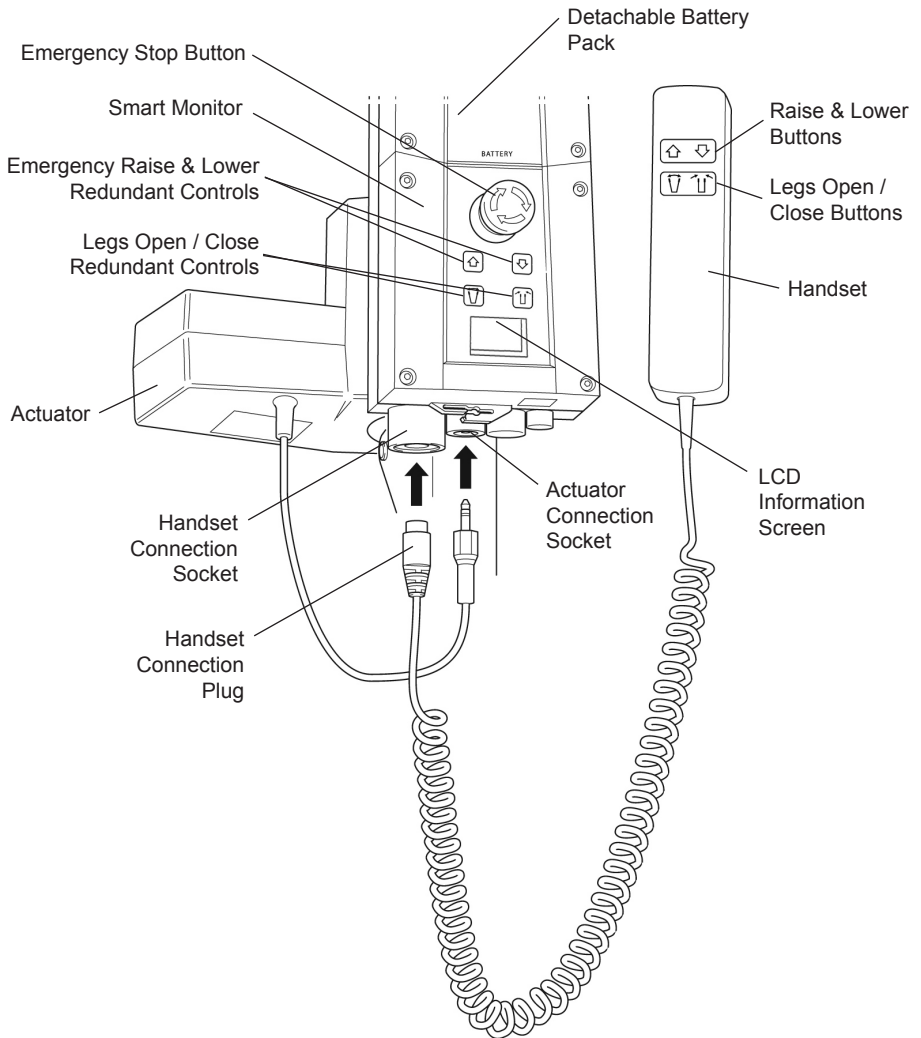
READ AND UNDERSTAND THE USER INSTRUCTION MANUAL BEFORE USING YOUR “CALIBRE”

WARNING

- **ALWAYS** plan your lifting operations before commencing.
- **ALWAYS** carry out the **DAILY CHECK LIST** before using the lift.
- **ALWAYS** familiarise yourself with the operating control and safety features of a lift before lifting a patient.
- **DO NOT** use a sling unless it is recommended for use with the lift.
- **ALWAYS** check the sling is suitable for the particular patient and is of the correct size and capacity.
- **NEVER** use a sling which is frayed or damaged.
- **ALWAYS** fit the sling according to the instructions provided (user instructions).
- **ALWAYS** check the safe working load of the lift is suitable for the weight of the patient.
- **ALWAYS** carry out lifting operations according to the instructions in the user manual.
- **NEVER** disconnect or bypass a control or safety feature because it seems easier to operate the lift.
- **DO NOT** lift a patient with the castor brakes on. Always let the lift find the correct centre of gravity.
- **DO NOT** attempt to manoeuvre the lift by pushing on the mast, boom or patient.
- **ALWAYS** manoeuvre the lift with the handle / foot push pad provided.
- **ALWAYS** lower the patient to the lowest comfortable position before transfers.
- **DO NOT** push a loaded lift at speeds which exceed a slow walking pace (3 Km/hour 0.8 metres/second).
- **DO NOT** push the lift over uneven or rough ground. Particularly if loaded.
- **DO NOT** attempt to push/pull a loaded lift over a floor obstruction.
- **NEVER** force an operating/safety control. All controls are easy to use and do not require excessive force.

- **ALWAYS** observe the duty cycle of 22.5 minutes between lifts. Failure to comply with the duty cycle can result in significant reduction of product life expectancy.
- **DO NOT** park a loaded lift on **ANY** sloping surface.
- **DO NOT** use electric lifts in a shower.
- **DO NOT** charge an electric lift in a bathroom or shower room.
- **DO NOT** operate the hoist unless you are trained and competent to do so.
- **YOUR** lift is for patient lifting. **DO NOT** use it, or allow it to be used, for any other purpose.
- **DO NOT** bump the lift down steps, loaded or unloaded.
- **DO NOT** attempt to negotiate a loaded lift on a slope which exceeds 1:12 (approximately 5 degrees).
- **DO NOT** attempt to negotiate a slope unless a minimum of two persons/carers are present for assistance.
- **DO NOT** use in a wet or corrosive environment such as poolside locations.
- **DO NOT** attempt to operate the hoist, loaded or otherwise unless a minimum of two persons/carers are present for assistance.

5. Smart Monitor & Handset



Intended Use

The Oxford Smart Monitor is a control system for Oxford Hoists. The Smart Monitor stores useful servicing information about the hoist that can be recalled when required. This servicing information includes:

- Number of patient lift cycles
- Total work done by actuator
- Number of lift overloads (attempted lifts above the safe working load)
- Number of days since last service interval

The Oxford Smart Monitor contains a microprocessor inside making it possible to read out service data via the on-board LCD screen.

Features

- Data collection in the control box with data display via LCD screen
- Work counter
- Intelligent cycle counter
- Service indicator
- Service interval indicator
- Overload information
- 3 step battery indicator


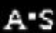


Benefits

- Improved safety for both patient and carer
- Accurate service data available at the touch of a button
- Optimised product life time
- Ease of maintenance for engineers and service technicians

LCD Display Screen

The Oxford Smart Monitor has the option to read out information via the LCD display screen. It is possible to read out total lifting cycles, total work done, overloads and number of days since last service, which can be used to quickly and easily evaluate the condition of the lift actuator.

This information is accessed by a ½ second press on the 'UP' button on the User handset or redundant 'UP' button on the Smart Monitor.

	12034	Total Lifting Cycles
	1257000	Total Work Done (Amps * Seconds)
	7	Number of Overloads
	90/180	Number of Days (since last service) / Number of Days (between services)

Service & Usage Information



When it is time for a service, the service symbol will appear on the display. In addition, when the user handset is activated, the Smart Monitor will give an audible signal giving notice to users that a service is required.

The service symbol will be displayed each time the raise or lower keys are depressed on the User handset. When the service symbol is displayed, contact your authorised service provider immediately to arrange a service.

You may continue to use your lift for a short period of time until a service has been carried out.

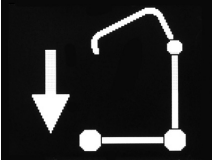


If the lift stops because of an overload (an attempt to lift more than the safe working load) the overload symbol will appear on the LCD display and the lift will cease to operate until the additional load (above the SWL) has been removed.

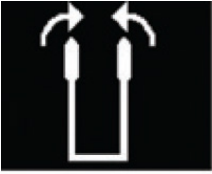
WARNING

If the LCD display screen on your Smart Monitor has recorded an overload, Joerns Healthcare recommend that ALL routine daily checks are carried out on the lift prior to further use (for a list of daily checks, please refer to your lift user manual). Joerns Healthcare also recommend that you contact your authorised Oxford service provider for additional guidance.

On-Board Redundant Controls



On-board redundant controls enable the lift to be raised or lowered in the event of an emergency.



If your lift incorporates powered leg positioning, there are redundant controls to both open and close the legs.

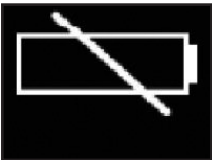
Battery Information



The display showing full battery means that the battery is fully charged and the lift is ready for use.



The display showing a half empty battery indicates that it is time to charge the battery.



The empty battery symbol showing on the display indicates that the battery has no capacity left and should be placed on charge immediately.

⚠ WARNING

To avoid possible permanent damage to the battery, the battery should be placed on charge as soon as the display indicates the half empty battery symbol.

6. Operating Instructions

1. Leg adjustment

The legs on the Oxford Calibre are electrically adjustable for width. The legs can be opened to enable access around armchairs or wheelchairs. For transferring and negotiating narrow doorways and passages the lift legs should be in the closed position.

Electric leg adjustment - is achieved by pressing the appropriate buttons on the handcontrol. The legs will be locked whenever the handcontrol switch is released.

2. Castors and Braking

The lift has two braked castors which can be applied for parking. When lifting, the castors should be left free and un-braked. The lift will then be able to move to the centre of gravity of the lift. If the brakes are applied it is the patient that will swing to the centre of gravity and this may prove disconcerting and uncomfortable.

3. Raising and lowering the boom

The movement of the boom is achieved by a powerful electric actuator which is controlled by a simple hand control unit. The hand control has two buttons with directional arrows UP and DOWN ↑↓. The actuator stops automatically at the limit of travel in both directions. The hand control plugs into a socket at the base of the control box.

4. Emergency Stop

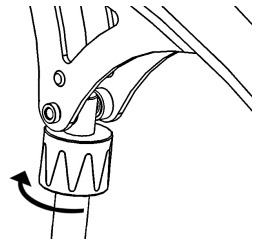
The red Emergency Stop Button is located on the front of the control box and is activated by pressing in. This will cut all power to the lift and only be reset by twisting the button anticlockwise and releasing.

5. Redundant controls

All Oxford lifts are fitted with raise and lower buttons on the control box. These are located underneath the emergency stop button and can be used to lower/raise the patient should the hand control fail.

6. Mechanical Emergency Down

In the case of a complete electrical failure the electrical actuator is fitted with a spring loaded mechanical lowering device (RED BOSS). This will only operate when the lift is under load. The device must be twisted by hand and released to activate. A slow decent will commence. Repeat this process until the patient has been safely lowered.



⚠ WARNING

If this feature is used, the lift MUST be subsequently checked out by a competent engineer.

7. Batteries

The batteries are protected from deep discharge by a LOW VOLTAGE ALARM. This will sound when the batteries need recharging and the hand control is being operated. It will not sound independently of the hand control being operated. **DO NOT IGNORE THIS WARNING ALARM.** Complete the lifting operation and place the battery on charge (see charging instructions).

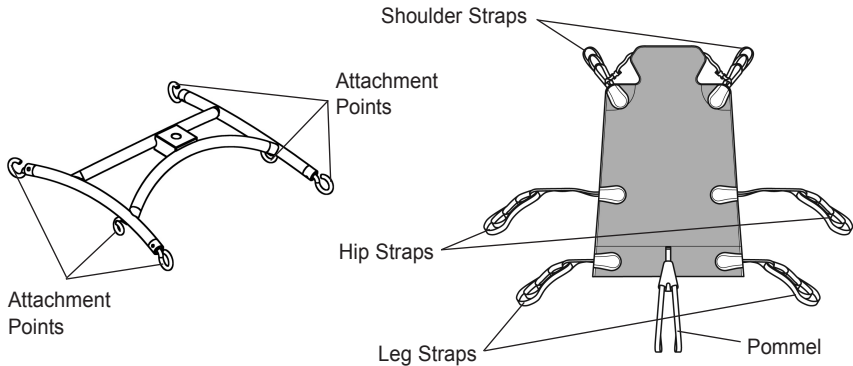
8. Slings

The Oxford Calibre has a 6-point cradle.

The 6-point system uses slings with webbing loops, which allow positioning adjustment by selecting different coloured loops.

Loop strap slings: Bariatric Hammock

The sling attaches to the 6-point cradle hooks via loop straps (shown below). Each sling is supplied with comprehensive user instructions. **Please ensure you have read and fully understand the user instructions prior to use.**



6-point cradle. Example of the 6-point cradle sling with loop attachments.

NOTE: For detailed fitting instructions, please refer to the user guide supplied with each sling.

⚠ WARNING

Joerns Healthcare recommends that slings be checked regularly and particularly before use for signs of fraying or damage. **DO NOT** use slings that are worn or damaged.

⚠ WARNING

OXFORD RECOMMENDS THE USE OF GENUINE OXFORD PARTS. Oxford sling and lift products are designed to be compatible with one another. For country specific guidance on sling use and compatibility, please refer to the sling label or contact your local market distributor or Joerns Healthcare.

⚠ WARNING

Refer to maximum weight capacity of lift. Sling capacity is limited by the maximum capacity of the lift.

7. Removal of 6-point Cradle System

FOLLOW THESE INSTRUCTIONS EXACTLY

Your Calibre lift uses the 6-point cradle. The removal of this systems is completed by the use of a quick-release pin. This is done quickly and easily, but you must read the following safety instructions to ensure the 6-point cradle is safely locked into position before use.

Connection

⚠ WARNING

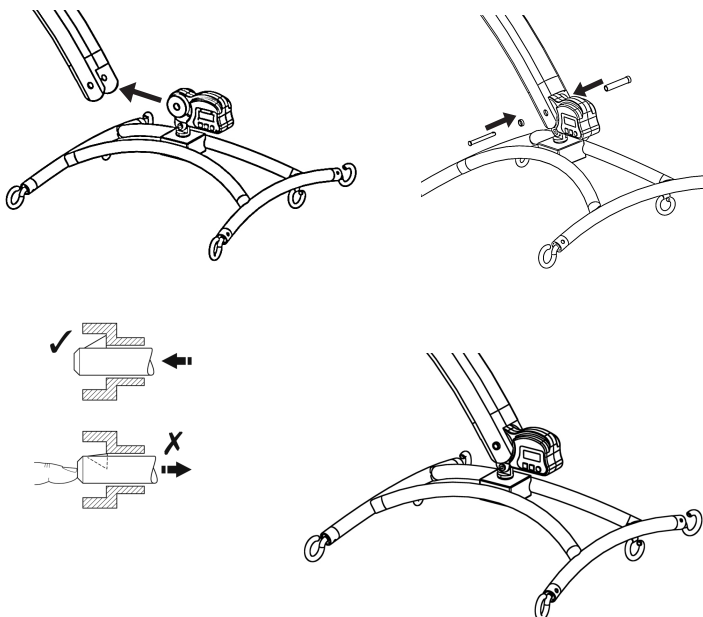
Two persons are required to fit the 6-point cradle OR a support table can be used.

To connect, raise the 6-point cradle up toward the boom slot.

Insert the pin sleeve through the plastic end cap to support the 6-point cradle.

Once aligned in the boom slot, reinsert the quick-release pin fully into the sleeve until it locks into position. **YOU MUST CHECK THAT THE PIN IS SECURELY FITTED.**

To do this, press your finger into the barbed end. If the pin remains stationary the lift is safe to use.

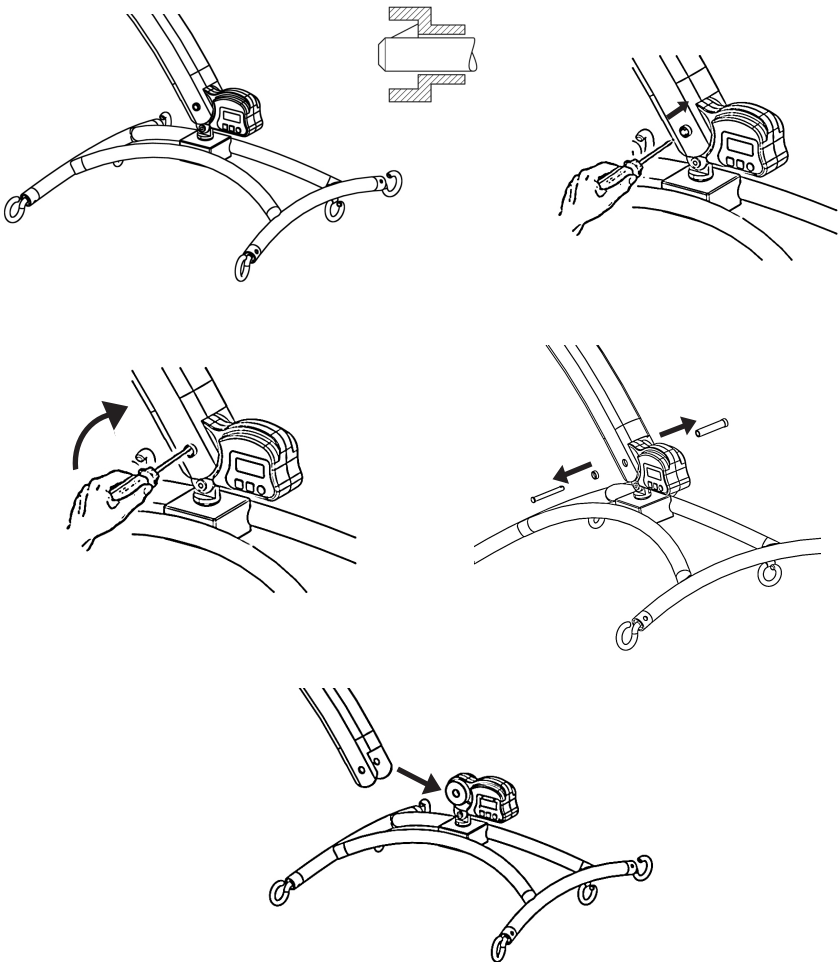


Removal

CAUTION: Be sure to support the weight of the 6-point cradle before removing pin.

To detach pin, depress the spring barb (using a flat blade electrical screw driver or similar) and pull the pin out.

Support the 6-point cradle, and then pull the pin sleeve in the opposite direction, removing it completely from the boom. This will release the 6-point cradle completely.



8. Charging Instructions

When the power pack needs charging it is removed from the lift and fitted to an off board charging unit.

Joerns Healthcare recommend an additional battery pack is purchased, so that one pack can be on charge at all times.

1. Remove the power pack from the lift. The pack is retained by a simple latch at the top of the power pack. Lift the latch and the power pack will be released.
2. Fit the power pack to the charging unit. The location and latching of the power pack to the charger is the same system as used on the lift.
3. Plug the charger mains plug into a suitable mains outlet and switch the mains supply ON.
4. Charging is automatic and will fully charge the batteries over a period of four (4) hours.

Note: Even if the charger is left plugged in for extended periods it will not allow the batteries to overcharge.

- a) Green Light - Indicates main power is on.
- b) Yellow Light - Indicates battery is charging.
- c) Battery will be fully charged when yellow light goes off.

Note: It is recommended that the battery be charged immediately upon receipt.

5. To return the lift to service, switch OFF the mains supply and remove the power pack from the charger. Fit the power pack to the lift and make sure the latch holding the pack in place is fully engaged. "Click" in place. The charging of Oxford electric lifts is simple and straightforward, but it is important to follow the charging instructions closely. Please pay particular attention to the following points, they will help you avoid problems with discharged batteries.

WARNING

- **The battery, charger, hand control and control box are NOT to be opened by unauthorised personnel. (Contact your distributor for warranty and repairs).**
- **DO NOT touch battery/charger terminals.**
- **KEEP the batteries fully charged. Place the battery on charge whenever it is not in use. If it is more convenient to do so, place on charge every night. The charger will not allow the batteries to overcharge.**
- **NEVER run the batteries completely flat. As soon as the audible warning sounds, complete the lifting operation in hand and place on charge.**
- **To avoid possible permanent damage to the battery, the battery should be placed on charge as soon as the display indicates the half empty battery symbol.**
- **NEVER store the battery for long periods without regular charging throughout the storage period.**
- **ALWAYS make sure the mains power to the charger is switched off before connecting or disconnecting the battery pack.**
- **NEVER leave the battery pack connected with the charger mains power switched off.**
- **DO NOT leave the charger switched on with the battery disconnected.**

- **DO NOT** use the lift while charging is taking place.
- **CHECK** the lift is not charging before moving as the electrical connection may be damaged.
- **NEVER** disconnect the charger plug by pulling on the cable.
- **BE CAREFUL** not to trip over the charge lead.
- **DO NOT** charge an electric lift in a bathroom or shower room.

9. Maintenance Schedule & Daily Check List

All Oxford products are designed for minimum maintenance, however some safety checks and procedures are required. A schedule of DAILY tasks are detailed below. Daily checks and a six monthly service, inspection and test will ensure a lift is kept in optimum safe working condition. A list of spare parts is available upon request.

The LOAD TEST and certification should only be carried out by qualified personnel or an authorised service agent / dealer.

DAILY CHECK LIST: Joerns Healthcare strongly recommends the following checks be carried out on a daily basis and before using lift.

- MAKE SURE the lift moves freely on its castors.
- MAKE SURE the 6-point cradle is free to rotate and swing
- EXAMINE & CHECK that the 6-point cradle is firmly attached to the boom.
- EXAMINE the sling hooks/clips on the 6-point cradle for excessive wear.
- MAKE SURE the legs open and close correctly.
- OPERATE the hand control to confirm the boom raises and lowers satisfactorily.
- CHECK the operation of the emergency stop button.
- EXAMINE slings for fraying or other damage. DO NOT use any sling if damaged or if the sling shows signs of wear.
- CONFIRM the lift is not giving a low battery alarm when the hand control is operated. If the alarm sounds, DO NOT use, and place on charge immediately.
- MAKE SURE the actuator connection points are secure.

Maintenance, Inspection and Test

Joerns Healthcare recommend a thorough inspection and test of the Oxford Calibre lift and lifting accessories, slings, scales etc is carried out on a regular basis. Inspection frequency varies depending on locality, so you must check with your dealer or local government agency as appropriate regarding how often an inspection is required. The examination and test should be conducted according to the recommendations and procedures provided in this manual. Joerns Healthcare recommends maintenance, inspection and certified testing is carried out by authorised service agent / dealers only.

NOTE: These recommendations are in compliance with the requirements of 1998 No2307 Health and Safety: The Lifting Operations and Lifting Equipment Regulations 1998. This is a UK regulation. Outside the UK please check your local country requirement

THESE CHECKS SHOULD INCLUDE:

	Initially	Before Use	Service Intervals
1. 6-POINT CRADLE: Check the 6-point cradle for freedom of rotation and swing. Check for wear on the central pivot. Check for firm attachment to the boom.	✓	✓	✓
2. BOOM: Check the attachment of the boom to the mast. Make sure there is only minimal side movement of the boom and the boom is free to rotate on the boom bearing. Also check upper actuator fixings are secure.	✓	✓	✓
3. MAST: Check the operation of the mast-locking screws. Make sure the mast is fully engaged into the base socket. Check the bottom actuator fixings.	✓	✓	✓
4. ACTUATOR: The actuator should require no maintenance other than checking for correct operation and listening for unusual noise.		✓	✓
5. SMART MONITOR: Check the function of the emergency stop button. Inspect the hand control socket for correct fitting. Check functioning of the hand control. Check the redundant controls and confirm they operate as intended.	✓	✓	✓
6. BATTERIES: The batteries are housed in the power pack and should not require maintenance other than the regular charging as detailed in the charging instructions. Check that the connections remain clean.			✓
7. LEG ADJUSTMENT: Check the legs operate in both full extensions (inward/outward).	✓	✓	✓
8. CASTORS: Check all castors for firm attachment to the legs. Check for free rotation of the castors and the wheels.	✓	✓	✓
9. CLEANING: Clean with ordinary soap and water and/or any hard surface disinfectant. Harsh chemical cleaners or abrasives should be avoided as these may damage the surface finish of the lift. Avoid wetting any of the electrical parts.			✓
10. LOAD TEST: The load test should be carried out in accordance with the manufacturer's test procedures. It is strongly recommended the testing is carried out by an authorised service dealer.	✓		✓
11. BASE AND WHEELS: Ensure base is even and level (all four wheels are on the floor).	✓	✓	✓
12. SLINGS: Check for wear and fraying.	✓	✓	✓
13. LUBRICATION: Oil pivot joints, including mast and boom connections, pedal assembly and 6-point cradle joint (only if required).			✓
14. HAND SET: Ensure plugged fully into controller.	✓	✓	
15. QUICK RELEASE PIN: Ensure the pin is securely fitted before lifting, by pressing the barbed end on the actuator and 6-point cradle	✓	✓	
16. FIXINGS: Check all nuts, bolts, screws and fasteners for excessive wear and for tightness. Replace as required.			✓

10. Technical Specifications

Safe Working Load850 lbs.....	385 kgs
Maximum Overall Length	71 inches.....	1805 mm
Minimum Overall Length	68.5 inches.....	1740 mm
Maximum Overall Height.....	87 inches.....	2210 mm
Minimum Overall Height.....	62 inches.....	1575 mm
6-point Cradle Maximum Height	73 inches.....	1855 mm
6-point Cradle Minimum Height.....	25.5 inches.....	650 mm
Height at Maximum Reach.....	68 inches.....	1730 mm
Reach at Maximum Height.....	22.5 inches.....	570 mm
Reach at Minimum Height.....	28.5 inches.....	725 mm
Maximum Reach*	32.5 inches.....	825 mm
Turning Radius	77 inches.....	1960 mm
Legs Open - External Width	56 inches.....	1420 mm
Legs Open - Internal Width	49 inches.....	1245 mm
Legs Closed - External Width	35 inches.....	885 mm
Legs Closed - Internal Width	27.5 inches.....	700 mm
Overall Height of Legs.....	5 inches.....	130 mm
Ground Clearance	0.75 inches.....	20 mm
Front Twin Castors.....	4 inches.....	100 mm
Rear Braked Castors.....	4 inches.....	100 mm

* Reach = centre of 6-point cradle to the front of the mast

Weights

Mast, Base & Boom Assembly.....	.240 lbs.....	109 kgs
(includes 6-point cradle)		
Power Pack	6.6 lbs.....	3 kgs
Total246.6 lbs.....	112 kgs
6-point Cradle.....	.20 lbs.....	.9 kgs

All measurements are within a +5/-5 degree of tolerance.

Electrical Specifications

BATTERIES.....	24 volt Rechargeable sealed lead acid type
BATTERY CAPACITY	3.2 Ampere hours
CHARGER RATED INPUT	230Vac 50/60Hz
CHARGER RATED OUTPUT	27.4/29.0 VDC@0.8A

Electric Shock Protection

CHARGER.....	CLASS II
LIFT	INTERNAL POWER SOURCE

Degree of Shock Protection

CHARGER.....	TYPE B
LIFT	TYPE B

Environmental Conditions

Outside this environment functionality and safety may be compromised.

Operating

TEMPERATURE	>+5°C <+40°C
RELATIVE HUMIDITY	20% - 90% @ 30°C (not condensing)

Storage

TEMPERATURE	>-10°C <+50°C
RELATIVE HUMIDITY	20% - 90% @ 30°C (not condensing)
ATMOSPHERIC PRESSURE	700 - 1060 hpa

IP Ratings

CONTROL BOX	IPX4
ACTUATOR.....	IPX6
OFF-BOARD CHARGER	IPX5
BATTERY	IPX5
HANDSET	IPX5

Duty Cycles

ACTUATOR.....	10% (2 mins / 18 mins)
CHARGER.....	4 hours (approx.)

Acoustics

A-WEIGHTED SOUND POWER LEVEL	64dB
------------------------------------	------

KEY SYMBOLS:

The following symbols are used on the charger, control unit and battery:



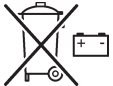
Type B equipment, as per EN 60601-1



Class 2 equipment



The disposal of the charging and control unit should not be mixed with general household waste



The disposal of batteries should not be mixed with general household waste.



The disposal of electronics should not be mixed with general household waste



For indoor use



ATTENTION, consult accompanying documents.

WEEE Producers registration number WEE/GG0464RZ

11. Warranty

Joerns Healthcare has an established network of authorised distributors and service agents who will be pleased to handle all of your purchasing, warranty, repair and maintenance enquiries. It is recommended that our products are commissioned by your authorised distributor or service agent.

The distributor or service agent operates the warranty programme, so it is important to keep a record of their name, address and telephone number so they can be contacted should any problem arise. If you are in any doubt as to where your lift was purchased, Joerns Healthcare can trace the supplier if you quote the serial number of the lift.

All warranty claims are subject to the correct use and maintenance in accordance with the user instruction manual provided with each lift. Damage caused by use in unsuitable environmental conditions or failure to maintain the product in accordance with user and service instructions is not covered. Your statutory rights remain unaffected.

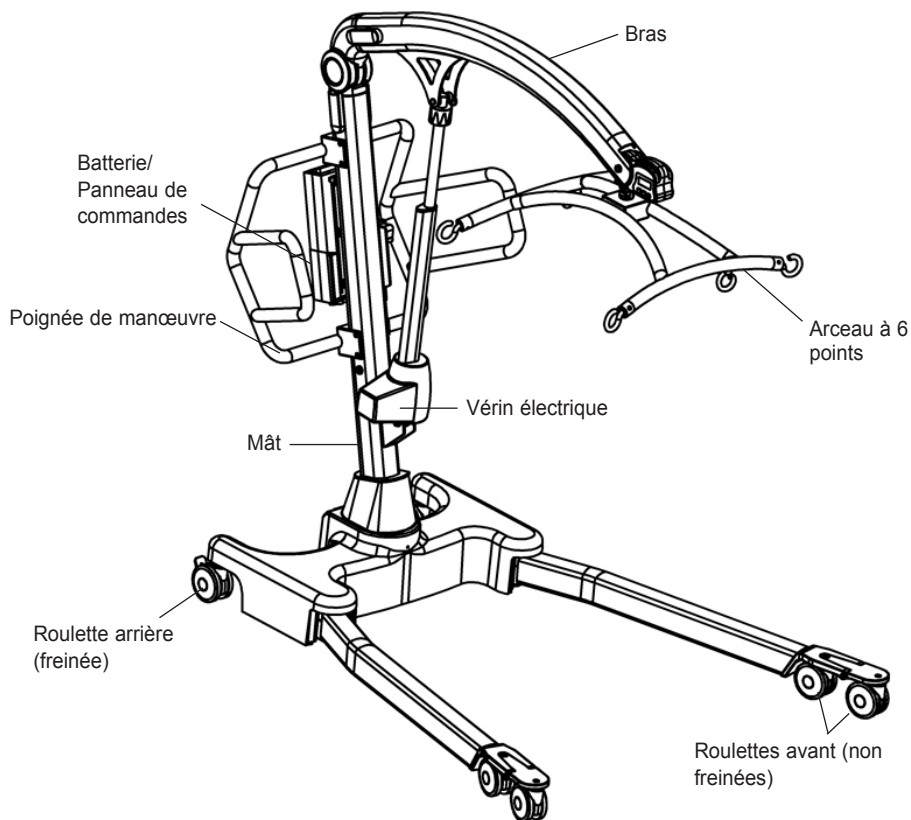
REMEMBER: Contact your authorised distributor or service agent for purchases, repairs, servicing and certified maintenance.

Your distributor:

Sommaire

1. Lève-personne Oxford Calibre	29
2. Introduction : À propos de votre lève-personne	30
3. Instructions de montage et de mise en service	31
4. Consignes de sécurité.....	36
5. Moniteur Smart de commande manuelle	38
6. Fonctionnement.....	42
7. Retrait du système d'arceau à 6 points	45
8. Instructions de charge.....	47
9. Calendrier d'entretien et liste de contrôles quotidiens	49
10. Spécifications techniques.....	51
11. Garantie.....	54

1. Lève-personne Oxford Calibre



2. Introduction: À propos de votre lève-personne

Chaque lève-personne Calibre est soumis à un essai de charge et est entièrement certifié avant d'être emballé/expédié.

L'emballage utilisé est un carton résistant spécialement prévu à cet effet et couramment utilisé pour le transport national et international. Vous trouverez à l'intérieur du carton une pochette contenant différents documents qu'il convient de conserver soigneusement pour référence ultérieure.

- CERTIFICAT D'ESSAI
- MANUEL DE L'UTILISATEUR
- CARTE DE GARANTIE DU DISTRIBUTEUR
- CARTE DE SATISFACTION DU CLIENT
- LISTE DE VÉRIFICATION DU CONTENU

Le CERTIFICAT D'ESSAI est un document important qui doit être conservé dans votre dossier d'assurance. À l'expiration de la durée de validité de six mois de ce certificat, l'inspection et l'entretien du lève-personne devront être effectués selon le calendrier d'entretien.

L'entretien et les tests périodiques peuvent être effectués par votre revendeur. Pensez à prendre rendez-vous auprès de lui. En cas de doute sur les conditions d'entretien applicables pour votre région, renseignez-vous auprès de votre revendeur et/ou agence gouvernementale la plus proche.

Label CE :

Le lève-personne Oxford Calibre porte le label CE et est conforme aux directives européennes suivantes :

- Directive relative aux dispositifs médicaux (93/42/CEE)
- Directive relative à compatibilité électromagnétique (89/336/CEE)
- Directive « Basse tension » (73/23/CEE)



Declaración de uso al que está destinado

Le lève-personne Oxford Calibre est un dispositif passif pour le transfert des patients, prévu pour lever et transférer en toute sécurité des patients dont la charge de service maximale est de 385 kg.

Le lève-personne Oxford Calibre est prévu pour une UTILISATION EN INTÉRIEUR UNIQUEMENT et doit être manipulé par au moins deux personnes/aides-soignants.

L'Oxford Presence est un lève-personne électrique, conçu pour soutenir et promouvoir la sécurité de la manipulation et du transport du patient pour le personnel soignant et le patient lui-même.

Le lève-personne Oxford Calibre est prévu pour les patients en position ASSISE, en position ASSISE/ALLONGÉE et en position ALLONGÉE. Les exemples de sangles compatibles avec ce matériel sont énumérés ci-dessous :

- Oxford Bariatric Hammock pour personnes obèses (charge de service maximale - 385 kg)

Durée de vie prévue

Les lève-personnes Oxford Professional sont conçus et testés pour une durée de vie minimum de dix (10) ans, si les consignes d'utilisation et d'entretien énoncées dans le présent manuel sont respectées. Toute utilisation non conforme aux consignes peut compromettre la durée de vie du matériel.

3. Instructions de montage et de mise en service

Contenu du carton

Posez le carton dans un espace dégagé et ouvrez-le délicatement. Le carton contient:

- LÈVE-PERSONNE OXFORD CALIBRE
- COMMANDE MANUELLE
- CÂBLE DE RECHARGE
- POCLETTE CONTENANT LES DOCUMENTS
- BLOC DE BATTERIE
- CHARGEUR DE BUREAU/SUPPORT

Outils requis

Vous aurez besoin des outils suivants pour le montage de l'appareil :

- DOUILLE DE 13 MM
- CLÉ DYNAMOMÉTRIQUE

⚠ AVERTISSEMENT

Le montage et la mise en service doivent être effectués par un technicien compétent dépêché par un service après-vente/revendeur Oxford agréé.

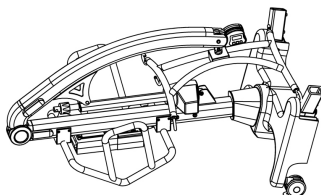
⚠ AVERTISSEMENT

AU MOINS 2 PERSONNES SONT REQUISES. Le lève-personne Oxford Calibre pèse lourd et devra être manipulé délicatement. Vous devrez vous faire aider pour sortir le lève-personne Oxford Calibre du carton.

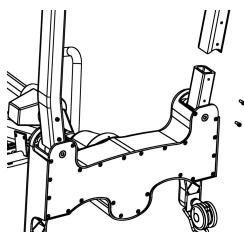
Montage

Sortez tous les composants du carton et posez-les au sol en prenant soin de ne pas abîmer la peinture.

1. Posez l'ensemble mât/base dans un espace dégagé et installez les roulettes arrière et la poignée de manœuvre.



2. Montez les pieds gauche et droit (attention à l'orientation) sur le châssis à l'aide des deux vis M10 prévues pour chaque pied.



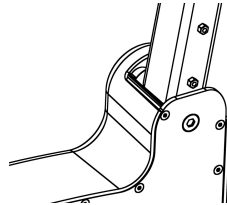
3. Serrez les vis M10 avec la douille et la clé dynamométrique.

⚠ AVERTISSEMENT

Serrez bien les vis. Il est conseillé de les serrer à un couple de 10Nm

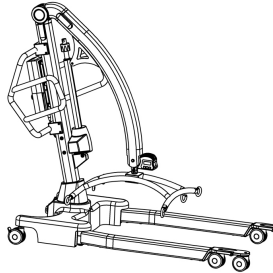
⚠ AVERTISSEMENT

Faites attention de ne pas vous pincer les doigts. Tenez vos doigts éloignés de l'extrémité du pied lorsque vous l'insérez sur son tube de logement. Pendant le montage des pieds, tenez vos doigts éloignés du support des roulettes avant.



4. Redressez le lève-personne sur ses roulettes.

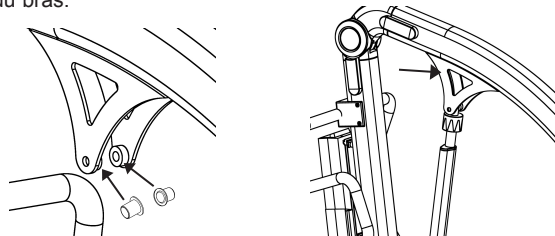
REMARQUE: Sur une surface plane, les 6 roulettes doivent toucher le sol.



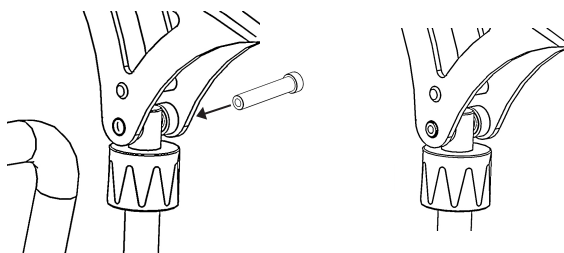
⚠ AVERTISSEMENT

Le lève-personne Calibre est extrêmement lourd. Il faut au minimum 2 personnes pour le soulever.

5. Insérez les deux bagues à l'extérieur du support de fixation des deux côtés du bras. Levez le bras et placez le vérin de sorte que son trou de fixation supérieur soit aligné avec les trous du support de fixation du bras.



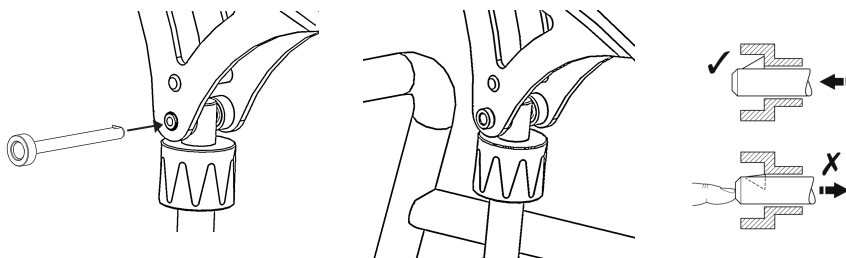
6. Insérez la gaine de la goupille à libération rapide dans le trou du support de fixation/vérin.
Vérifiez que la gaine est bien insérée dans les deux trous du support de fixation.



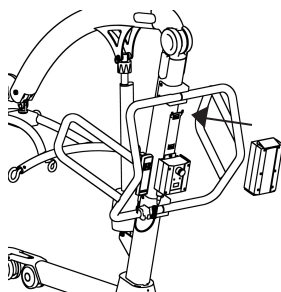
7. Insérez la goupille à l'intérieur de la gaine jusqu'à ce qu'elle soit entièrement enfoncée.

⚠ AVERTISSEMENT

Vérifiez que la goupille à libération rapide est bien en place en essayant de tirer dessus pour la faire ressortir.



8. Installez le bloc d'alimentation sur le lève-personne. Vérifiez que le loquet qui maintient le bloc en place est entièrement inséré. S'il est bien enclenché, il doit émettre un clic. Vérifiez que la batterie est complètement chargée.



9. Insérez la commande manuelle dans le boîtier de commande.

Démontage

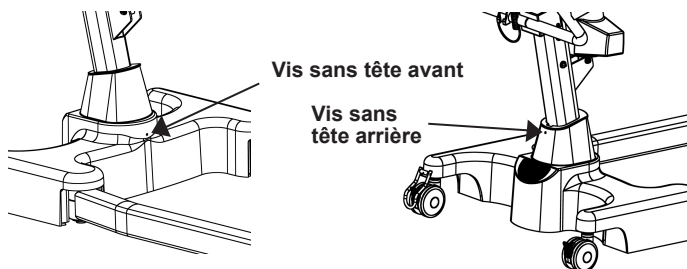
⚠ AVERTISSEMENT

Le démontage doit être effectué par un technicien compétent dépêché par un service après-vente/revendeur Oxford agréé.

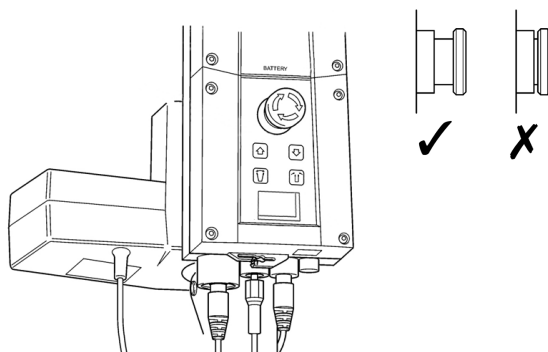
Ne démontez le lève-personne qu'en cas de révision, de réparation ou de transport de l'appareil. Il convient alors d'inverser l'ordre des étapes du montage.

AVANT TOUTE UTILISATION, VÉRIFIEZ TOUJOURS CE QUI SUIT

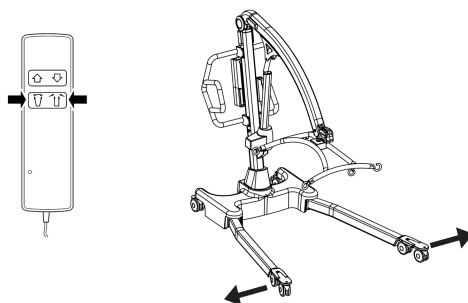
- Le mât est bien en place - vérifiez que les vis sans tête à l'avant et à l'arrière de la base sont bien serrées.



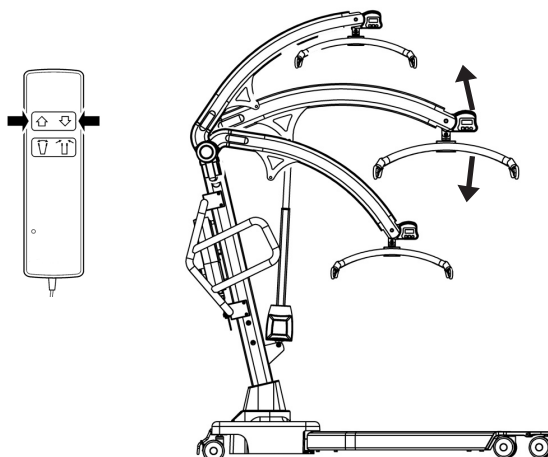
- Le bouton rouge d'arrêt d'urgence, situé au dos du boîtier de commande, est en position sortie (OFF).



- Les pieds du lève-personne s'ouvrent et se ferment librement (opération effectuée avec la commande manuelle).



- Appuyez sur les boutons Haut et Bas de la commande manuelle et vérifiez que le bras s'élève et se baisse.



4. Consignes de sécurité

Veillez lire et respecter les consignes de sécurité suivantes. Le fonctionnement et l'utilisation des lève-personnes Oxford sont simples. Le respect de ces quelques consignes de sécurité élémentaires garantira un fonctionnement simple et efficace.

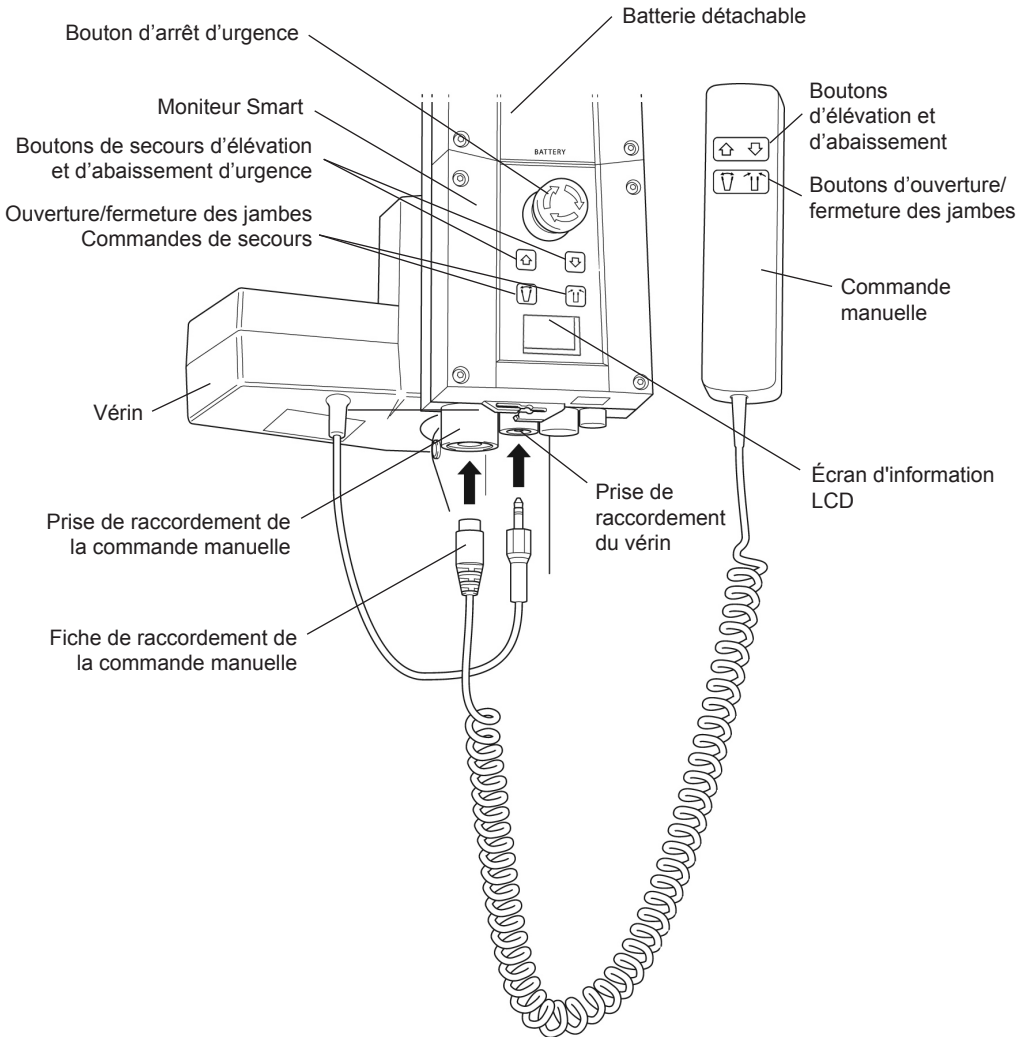
VEUILLEZ LIRE ET VOUS FAMILIARISER AVEC LE MANUEL DE L'UTILISATEUR AVANT D'UTILISER VOTRE APPAREIL CALIBRE

AVERTISSEMENT

- Effectuez **TOUJOURS** vos préparatifs de levage avant de commencer.
- Inspectez **TOUJOURS** le matériel avant de l'utiliser (voir la liste des contrôles quotidiens).
- Familiarisez-vous **TOUJOURS** avec les commandes et les caractéristiques de sécurité d'un lève-personne avant de soulever un patient.
- N'utilisez **PAS** de sangle sans avoir préalablement vérifié sa compatibilité avec le lève-personne.
- Vérifiez **TOUJOURS** que la sangle utilisée convient pour le patient concerné et qu'elle a la taille et la capacité requises.
- N'utilisez **JAMAIS** une sangle effilochée ou endommagée.
- Placez **TOUJOURS** la sangle conformément aux consignes fournies (manuel de l'utilisateur).
- Vérifiez **TOUJOURS** que le poids du patient ne dépasse pas la charge de service maximale du lève-personne.
- Procédez **TOUJOURS** aux opérations de levage conformément aux instructions énoncées dans le manuel d'utilisation.
- Ne débranchez **JAMAIS** une option de commande ou de sécurité du lève-personne qui vous semble superflue.
- **NE** soulevez **PAS** un patient si les freins des roulettes sont serrés. Laissez toujours le lève-personne trouver le centre de gravité correct.
- N'essayez **PAS** de manœuvrer le lève-personne en poussant le mât, le bras ou le patient.
- Manœuvrez **TOUJOURS** le lève-personne par la poignée / pédale prévue à cet effet.
- Amenez **TOUJOURS** le patient à la position la plus confortable et la plus basse avant de le transférer.
- **NE** déplacez **PAS** le lève-personne chargé à une vitesse dépassant une allure de marche lente (3 km/h ou 0,8 m/s).

- **NE déplacez PAS** le lève-personne sur un terrain inégal ou accidenté, surtout si le lève-personne est chargé.
- N'essayez **PAS** de faire franchir au lève-personne chargé un obstacle au sol.
- Actionnez **TOUJOURS** délicatement les touches de commande ou de sécurité. Toutes les commandes sont faciles à actionner et ne nécessitent pas d'utiliser une force excessive.
- Respectez **TOUJOURS** le cycle de service de 22.5 minutes entre deux levages, à défaut de quoi la durée de vie prévue du produit pourrait être considérablement réduite.
- N'immobilisez **PAS** le lève-personne chargé sur une surface inclinée.
- N'utilisez **PAS** un lève-personne électrique dans la douche.
- **NE rechargez PAS** un lève-personne électrique dans une salle de bains ou une salle d'eau.
- **NE soulevez JAMAIS** un patient si vous n'êtes ni qualifié, ni compétent en la matière.
- Votre lève-personne est destiné au levage des patients. **NE l'utilisez JAMAIS** et ne laissez **JAMAIS** personne l'utiliser à d'autres fins.
- **NE faites PAS** descendre le lève-personne marche par marche, qu'il soit chargé ou à vide.
- N'essayez **PAS** de déplacer le lève-personne chargé sur une pente dont l'inclinaison dépasse le rapport 1:12 (environ 5 degrés).
- Ne déplacez le lève-personne sur une pente **QUE SI** au minimum deux personnes sont présentes pour vous assister.
- N'utilisez **PAS** le lève-personne dans un environnement humide ou corrosif, comme les piscines, par exemple.
- N'utilisez le lève-personne, qu'il soit chargé ou à vide, **QUE SI** au minimum deux personnes/aides-soignants sont présents pour vous assister.

5. Moniteur Smart et commande manuelle



Utilisation prévue

Le moniteur Oxford Smart est un système de commande prévu pour les lève-personnes Oxford Mobile. Le moniteur Smart enregistre de précieuses données de service relatives à l'utilisation du lève-personne, lesquelles peuvent être consultées à tout moment, notamment:

- Nombre de cycles de levage des patients
- Charge de travail totale réalisée par le vérin
- Nombre de levages effectués en surcharge (tentatives de levage avec une charge supérieure à la charge maximale autorisée)
- Nombre de jours écoulés depuis le dernier entretien

Le moniteur Oxford Smart contient un microprocesseur qui permet de lire les données de service sur l'écran d'affichage LCD embarqué.

Caractéristiques

- Collecte des données dans la boîte de commande et affichage des données sur l'écran LCD
- Compteur d'opérations
- Compteur de cycles intelligent
- Indicateur d'entretien
- Indicateur d'intervalle entre 2 entretiens
- Informations sur l'utilisation en surcharge
- Indicateur de batterie à 3 témoins


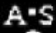


Avantages

- Sécurité renforcée pour le patient et l'assistant
- Données de service précises sur simple activation d'un bouton
- Durée de vie prolongée du produit
- Simplicité d'entretien pour les ingénieurs et les techniciens

Écran d'affichage LCD

Le moniteur Oxford Smart permet l'affichage d'informations sur l'écran LCD. Il peut, par exemple, afficher le nombre total de cycles de levage, la charge de travail totale effectuée, les surcharges et le nombre de jours écoulés depuis le dernier entretien. Ces informations permettent de rapidement évaluer l'état du vérin du lève-personne.

Pour afficher ces informations, appuyez une demi-seconde sur le bouton 'HAUT' de la commande manuelle ou sur le bouton de secours 'HAUT' du moniteur Smart.

	12034	— Total des cycles de levage
	1257000	— Total de la charge de travail effectuée (Ampères * Secondes)
	7	— Nombre de surcharges
	90/180	— Nombre de jours (depuis le dernier entretien) / Nombre de jours (entre deux entretiens)

Information sur l'entretien et l'utilisation



Quand arrive le moment de faire faire l'entretien, le symbole Service s'affiche à l'écran. De plus, lorsque la commande manuelle est activée, le moniteur Smart émet un signal sonore pour attirer l'attention de l'utilisateur sur le fait que l'entretien arrive à échéance.

Le symbole Service s'affichera à l'écran à chaque fois que les touches d'élévation ou d'abaissement sont actionnées sur la commande manuelle. Lorsque le symbole Service s'affiche, contactez immédiatement votre service d'entretien agréé pour prendre rendez-vous.

Vous pouvez continuer à utiliser le lève-personne pendant une brève période en attendant la visite d'entretien.

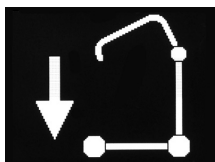


Si le lève-personne s'arrête en raison d'une surcharge (la charge à lever est supérieure à la charge maximale autorisée), le symbole de surcharge s'affiche sur l'écran LCD et le fonctionnement du lève-personne est interrompu jusqu'à ce que l'excès de charge ait été supprimé.

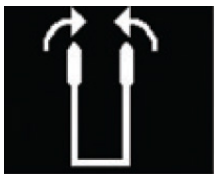
AVERTISSEMENT

Après la détection de surcharge par le lève-personne, Joerns Healthcare recommande d'effectuer TOUTES les vérifications de routine avant de réutiliser l'appareil (vous trouverez la liste des vérifications quotidiennes dans le manuel d'utilisation fourni avec le lève-personne). Joerns Healthcare vous recommande également de contacter votre service d'entretien agréé.

Commandes de secours embarquées



Les commandes de secours embarquées permettent de lever ou d'abaisser le lève-personne en situation d'urgence.



Si votre lève-personne comprend une fonction de positionnement des jambes intégrée, les commandes de fermeture et ouverture des jambes seront inutiles.

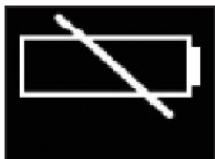
Niveau de batterie



Le symbole de la batterie pleine indique que la batterie est à pleine capacité et le lève-personne est prêt à l'emploi.



Le symbole de la batterie à moitié pleine indique qu'il est nécessaire de recharger la batterie.



Le symbole de la batterie vide indique que la batterie est complètement déchargée et doit être mise en charge immédiatement.

⚠ AVERTISSEMENT

Pour éviter tout endommagement irréversible de la batterie, il convient de mettre celle-ci en charge dès que l'écran affiche le symbole de la batterie à moitié pleine.

6. Fonctionnement

1. Réglage des pieds

La largeur des pieds du lève-personne Oxford Calibre se règle électriquement. Les pieds peuvent être écartés pour faciliter l'accès du lève-personne autour de fauteuils ou de fauteuils roulants. Lors des transferts et pour permettre le passage du lève-personne par des embrasures de porte étroites, les pieds doivent être ramenés en position fermée.

Réglage électrique des pieds - Appuyez sur les boutons correspondants de la commande manuelle. Les pieds s'immobilisent dès que vous relâchez le bouton.

2. Roulettes et freinage

Le lève-personne est doté de deux roulettes freinées qui peuvent servir de frein d'immobilisation. Pendant le levage, les roulettes doivent rester libres de bouger et les freins ne doivent pas être enclenchés. Cela permet au lève-personne de se positionner dans son centre de gravité. Si les freins sont enclenchés, le patient sera balancé vers le centre de gravité, ce qui peut s'avérer déconcertant et désagréable.

3. Élévation et abaissement du bras

Le mouvement du bras se fait par l'intermédiaire d'un puissant vérin électrique actionné par une unité de commande très simple. La commande manuelle possède deux boutons désignés par des flèches HAUT et BAS ↑↓. Le vérin s'arrête automatiquement dès qu'il a atteint sa limite de déplacement dans l'une ou l'autre direction. La commande manuelle se loge dans le réceptacle situé au bas du boîtier de commande.

4. Arrêt d'urgence

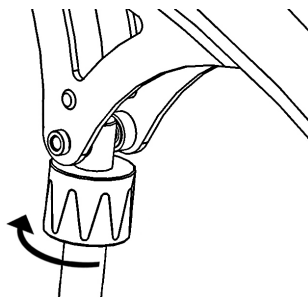
Le bouton rouge d'arrêt d'urgence est situé à l'avant du boîtier de commande. Il suffit de l'enfoncer pour l'actionner. Cela a pour effet de couper l'alimentation du lève-personne. Pour réinitialiser le bouton, tournez-le dans le sens anti-horaire, puis relâchez-le.

5. Commandes de secours

Tous les lève-personnes Oxford sont équipés de boutons d'élévation et d'abaissement sur le boîtier de commande. Ils sont situés sous le bouton d'arrêt d'urgence et peuvent servir à élever / abaisser le patient en cas de panne de la commande manuelle.

6. Abaissement mécanique d'urgence

En cas de panne totale d'alimentation, le vérin électrique est doté d'un dispositif d'abaissement mécanique à ressort (RED BOSS). Celui-ci ne fonctionne que lorsque le lève-personne est chargé. Pour actionner le dispositif, tournez-le à la main et relâchez-le. Le bras se met à descendre lentement. Répétez jusqu'à ce que le patient soit complètement redescendu.



⚠ AVERTISSEMENT

En cas d'utilisation de cette fonctionnalité, il est **IMPÉRATIF** de faire contrôler par la suite le lève-personne par un technicien compétent.

7. Batteries

Le lève-personne est doté d'une ALARME BASSE TENSION pour éviter que les batteries ne se déchargent totalement. L'avertisseur retentit lorsque vous actionnez la commande manuelle alors que les batteries sont faiblement chargées. Il ne sonne que si la commande manuelle est actionnée. **NE PASSEZ PAS OUTRE CETTE ALARME D'AVERTISSEMENT.** Terminez votre manœuvre, puis rechargez les batteries (voir les consignes de recharge).

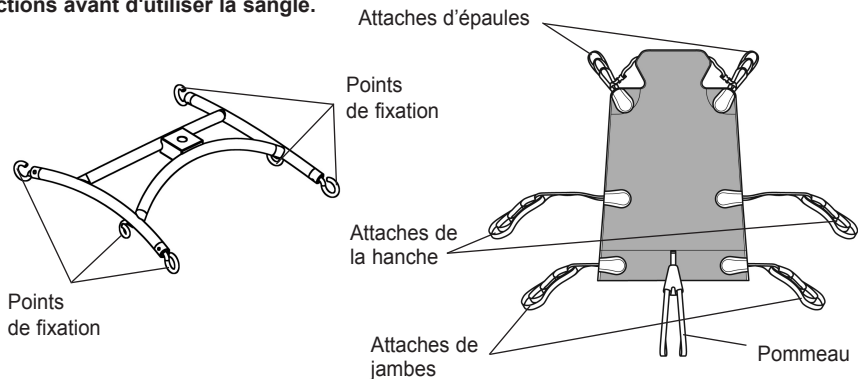
8. Sangles

Le lève-personne Oxford Calibre est doté d'un arceau à 6 points.

Le système à 6 points utilise des sangles dotées de lanières permettant d'ajuster le positionnement par le biais de lanières de différentes couleurs.

Sangles à lanière : Bariatric Hammock (Utilisateurs obèses)

Le système à 6 points se fixe sur les crochets de l'arceau à 6 points par l'intermédiaire de lanières (illustrées ci-dessous). Chaque sangle est fournie avec les consignes de montage. **Lisez les instructions avant d'utiliser la sangle.**



Arceau à 6 points. Exemple d'un arceau à 6 points avec lanières de fixation.

REMARQUE: Pour toute instruction détaillée sur la mise en place, reportez-vous au guide d'utilisation fourni avec chaque courroie.

⚠ AVERTISSEMENT

Joerns Healthcare vous conseille de vérifier, régulièrement et avant toute utilisation, que vos courroies ne sont ni effilochées, ni endommagées. N'utilisez JAMAIS une courroie usagée ou endommagée.

⚠ AVERTISSEMENT

OXFORD RECOMMANDE L'UTILISATION DE PIÈCES OXFORD AUTHENTIQUES. Les produits de sangle et de levage Oxford sont conçus pour être compatibles ensemble. Pour les directives spécifiques à votre pays au sujet de l'utilisation d'élingues et de leur compatibilité, veuillez lire l'étiquette de l'élingue ou contacter votre revendeur local ou Joerns Healthcare.

⚠ AVERTISSEMENT

Respectez la charge maximale du lève-personne. La charge de la courroie est limitée par la charge maximale du lève-personne.

7. Retrait du système d'arceau à 6 points

SUIVEZ CES INSTRUCTIONS À LA LETTRE

Votre lève-personne Calibre utilise un arceau à 6 points. Le retrait de ce système se fait par l'intermédiaire d'une goupille à libération rapide. Cette manipulation est rapide et facile, mais vous devez impérativement lire les consignes de sécurité suivantes pour garantir la mise en place sécurisée de l'arceau à 6 points avant utilisation

Montage

⚠ AVERTISSEMENT

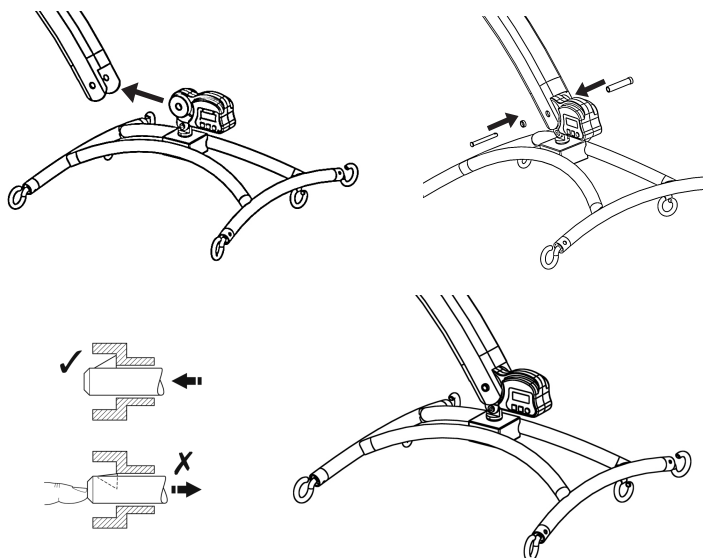
Deux personnes sont nécessaires au montage de l'arceau à 6 points OU alors dotez-vous d'un établi.

Soulevez l'arceau à 6 points vers la fente à l'extrémité du bras.

Insérez la gaine de la goupille à travers l'embout en plastique pour soutenir l'arceau.

Une fois les trous alignés dans la fente du bras, réinsérez complètement la goupille à libération rapide dans la gaine jusqu'à ce qu'elle soit bien enclenchée. **VÉRIFIEZ QUE LA GOUPILLE EST BIEN EN PLACE.**

Pour cela, appuyez avec votre doigt sur l'extrémité biseautée. Si la goupille reste en place, vous pouvez utiliser le lève-personne en toute sécurité.

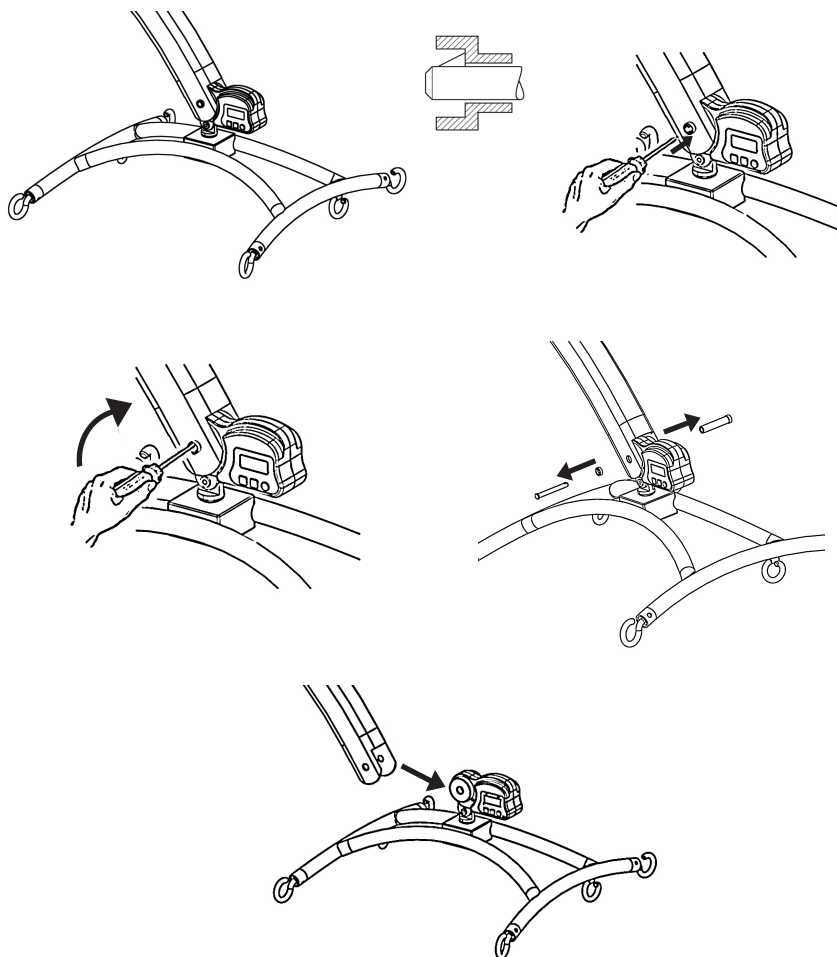


Retrait

ATTENTION: Soyez sûr de pouvoir supporter le poids de l'arceau à 6 points avant de retirer la goupille.

Pour retirer la goupille, enfoncez l'ardillon à ressort (à l'aide de la pointe d'un tournevis plat ou similaire) et tirez la goupille pour la sortir.

Tout en soutenant l'arceau, tirez la gaine dans la direction opposée et sortez-la complètement du bras. L'arceau à 6 points est maintenant entièrement libéré.



8. Instructions de charge

Les batteries sont situées dans le bloc d'alimentation et elles sont rechargées au moyen d'un chargeur autonome.

Lorsque le bloc d'alimentation doit être rechargé, retirez-le du lève-personne et branchez-le sur le chargeur autonome.

Joerns Healthcare Ltd recommande l'achat d'un bloc batterie supplémentaire, afin qu'un bloc soit toujours chargé.

1. Retirez le bloc d'alimentation du lève-personne. Il est retenu par une simple bride située sur le dessus. Soulevez la bride et le bloc est dégagé.
2. Placez le bloc d'alimentation dans le chargeur. L'emplacement et la fixation du bloc d'alimentation sur le chargeur sont assurés par le même système que celui utilisé sur le lève-personne.
3. Branchez le fil / le cordon du chargeur sur une prise de courant appropriée et **ACTIVEZ** l'alimentation principale.
4. Les batteries se chargent complètement et automatiquement sur une période de huit à douze heures.

Remarque : Même si le chargeur reste branché pendant très longtemps, cela n'entraînera pas la « surcharge » des batteries.

- a) Voyant vert - Indique que l'appareil est sous tension.
- b) Voyant jaune - Indique que la batterie est en cours de recharge.
- c) La batterie est complètement rechargée une fois que le voyant jaune s'est éteint.

Remarque : La charge de la batterie prend 4 heures.
Il est conseillé de charger la batterie dès réception.

5. Pour remettre le lève-personne en service, **COUPEZ** l'alimentation principale et retirez le bloc d'alimentation du chargeur. Remplacez le bloc d'alimentation sur le lève-personne et vérifiez que la bride le maintenant est totalement enclenchée. Enclenchez le bloc. Le chargement des lève-personnes électriques Oxford est simple et clair, mais vous devez absolument suivre les instructions à la lettre. Prêtez une attention toute particulière aux points suivants, vous éviterez ainsi de vous retrouver avec des batteries déchargées.

AVERTISSEMENT

- **La batterie, le chargeur, la commande manuelle et la boîte de commande NE doivent PAS être ouverts par du personnel non autorisé. (Contactez votre distributeur pour toute information sur la garantie et les réparations).**
- **NE touchez PAS les bornes de la batterie/du chargeur.**
- **VEILLEZ à ce que les batteries restent en permanence complètement chargées. Pendant les périodes de non-utilisation du lève-personne, mettez la batterie en charge. Vous pouvez également mettre la batterie en charge la nuit. Le chargeur interrompt automatiquement la recharge dès que les batteries sont pleines. Il n'y a pas de risque de surcharge**
- **NE laissez JAMAIS les batteries se décharger complètement. Dès que l'avertisseur sonore retentit, terminez le levage en cours, puis mettez-les batteries en charge.**
- **Pour éviter tout endommagement irréversible de la batterie, il convient de mettre celle-ci en charge dès que l'écran affiche le symbole de la batterie à moitié pleine.**
- **N'entrez JAMAIS la batterie pendant une longue période sans le recharger régulièrement.**

- **Veillez à TOUJOURS mettre le chargeur hors tension avant de brancher ou de débrancher le bloc d'alimentation.**
- **Ne laissez JAMAIS le bloc d'alimentation branché au chargeur si ce dernier est hors tension.**
- **NE LAISSEZ PAS le chargeur sous tension si la batterie est débranchée.**
- **N'UTILISEZ PAS le lève-personne pendant qu'il est en charge.**
- **VÉRIFIEZ que le lève-personne n'est pas en charge avant de le déplacer afin d'éviter tout endommagement électrique.**
- **NE DÉBRANCHEZ JAMAIS le chargeur en tirant sur le câble.**
- **VEILLEZ à ne pas trébucher sur le câble du chargeur.**
- **NE RECHARGEZ PAS un lève-personne électrique dans une salle de bains ou une salle d'eau.**

9. Calendrier d'entretien et liste de contrôles quotidiens

Tous les produits Oxford ont été conçus pour nécessiter un entretien minimum. Cependant, des contrôles et procédures de sécurité sont requis. Une liste des contrôles quotidiens est présentée ci-dessous. Les contrôles quotidiens, un entretien, une inspection et des tests tous les six mois sont la garantie d'un état de fonctionnement optimal du lève-personne. Une liste des pièces détachées est disponible sur demande.

L'ESSAI DE CHARGE et la certification doivent être effectués par un service après-vente/ revendeur agréé.

LISTE DE CONTRÔLES QUOTIDIENS : Joerns Healthcare recommande vivement d'effectuer les inspections suivantes, tous les jours et avant d'utiliser le lève-personne.

- VÉRIFIEZ que le lève-personne se déplace librement sur ses roulettes.
- VÉRIFIEZ que l'arceau à 6 points pivote et se balance sans entrave
- INSPECTEZ ET VÉRIFIEZ que l'arceau à 6 points est fermement arrimé au bras.
- INSPECTEZ les crochets/clips de la sangle sur l'arceau afin de déceler tout signe d'usure excessive.
- VÉRIFIEZ que les pieds s'ouvrent et se ferment correctement.
- ACTIONNEZ la commande manuelle pour vérifier que le bras se lève et se baisse normalement.
- VÉRIFIEZ le bon fonctionnement du bouton d'arrêt d'urgence.
- INSPECTEZ la sangle afin de vous assurer qu'elle n'est pas effilochée ou endommagée. N'utilisez PAS une sangle endommagée ou montrant des signes d'usure.
- VÉRIFIEZ que l'avertisseur de basse tension ne se déclenche pas lorsque vous actionnez la commande manuelle. Si l'avertisseur sonore retentit, N'UTILISEZ PAS le lève-personne et chargez immédiatement les batteries.
- VÉRIFIEZ que les points de connexion du vérin sont correctement fixés.

Entretien, Contrôle Et Test

Joerns Healthcare recommande de procéder régulièrement à un contrôle et un test approfondis du lève-personne Oxford Calibre et de ses accessoires de levage, de la sangle, de la balance, etc. La fréquence des contrôles varie en fonction de la région, il convient donc de vérifier auprès de votre revendeur ou agence gouvernementale à quelle fréquence les contrôles doivent être effectués. Le contrôle et le test doivent être effectués conformément aux recommandations et procédures énoncées dans le présent manuel. Joerns Healthcare recommande de confier l'entretien, le contrôle et le test à un service après-vente/revendeur agréé.

REMARQUE: ces recommandations sont conformes aux prescriptions de la réglementation N° 2307 Hygiène et sécurité : Opérations de levage et équipements de levage de 1998. Il s'agit d'une réglementation britannique. En dehors du Royaume-Uni, veuillez vous renseigner sur les réglementations nationales

CES CONTRÔLES DOIVENT PORTER SUR :

	Initialement	Avant utilisation	Service Inter-valles d'entretien
1. ARCEAU À 6 POINTS: vérifiez que rien n'entrave la rotation et le balancement de l'arceau. Vérifiez que le pivot central ne montre pas des signes d'usure. Vérifiez que le bras est solidement fixé.	✓	✓	✓
2. BRAS: vérifiez que le bras est solidement arrimé au mât. Assurez-vous que le mouvement latéral du bras est minime et que le bras tourne librement sur son roulement. Vérifiez également les fixations supérieures du vérin.	✓	✓	✓
3. MÂT: vérifiez le fonctionnement du dispositif de verrouillage du mât. Assurez-vous que le mât est complètement inséré dans la douille de la base. Vérifiez les fixations inférieures du vérin.	✓	✓	✓
4. VÉRIN: le vérin ne nécessite normalement aucun entretien si ce n'est de vérifier son bon fonctionnement et de s'assurer qu'il n'émet aucun bruit inhabituel.			✓
5. MONITEUR SMART: Vérifiez le bon fonctionnement du bouton d'arrêt d'urgence. Vérifiez le branchement de la prise de la commande manuelle. Vérifiez le fonctionnement de la commande manuelle. Vérifiez que les commandes de secours fonctionnent correctement.	✓	✓	✓
6. BATTERIES: les batteries se logent dans le bloc d'alimentation et ne nécessitent aucun entretien à l'exception des recharges régulières qu'il convient d'effectuer conformément aux consignes énoncées à cet égard. Veillez à ce que les branchements restent propres.			✓
7. RÉGLAGE DES PIEDS: vérifiez que les pieds sortent et se rétractent intégralement.	✓	✓	✓
8. ROULETTES: vérifiez que toutes les roulettes sont solidement fixées aux pieds. Assurez-vous qu'elles tournent librement.	✓	✓	✓
9. NETTOYAGE: nettoyez au savon ordinaire et à l'eau et/ou un désinfectant pour surfaces rigides. Évitez d'utiliser des nettoyeurs chimiques corrosifs ou des abrasifs qui risquent d'abîmer la fini de surface du lève-personne. Évitez de mouiller les composants électriques.		✓	✓
10. ESSAIS DE CHARGE: il convient de réaliser les essais de charge conformément aux procédures d'essai préconisées par le fabricant. Il est vivement conseillé de confier la réalisation de l'essai de charge à un revendeur/agent de service après-vente agréé.			✓
11. BASE ET ROULETTES: vérifiez que la base est plane et de niveau (toutes les roulettes doivent reposer au sol).	✓	✓	✓
12. SANGLE: inspectez la sangle afin de déceler tout signe d'effilochage et d'usure.	✓	✓	✓
13. LUBRIFICATION: huilez les joints pivotants, y compris les connexions du mât et du bras, la pédale et le joint de l'arceau à 6 points (seulement si nécessaire).			✓
14. COMMANDE MANUELLE: vérifiez qu'elle bien insérée dans le boîtier de commande.	✓	✓	
15. GOUPILLE À LIBÉRATION RAPIDE: vérifiez que la goupille est bien enclenchée avant de procéder au levage. Pour cela, essayez d'enfoncer l'extrémité biseautée sur le vérin et l'arceau à 6 points.	✓	✓	
16. FIXATIONS: vérifiez tous les écrous, boulons et vis afin de vous assurer qu'ils ne sont pas excessivement usés et qu'ils sont correctement serrés. Remplacez les éléments qui le nécessitent.			✓

10. Spécifications techniques

Charge de service maximale.....	850 livres	385 kg
Longueur maximale hors tout.....	71 pouces	1805 mm
Longueur minimale hors tout.....	68.5 pouces	1740 mm
Hauteur maximale hors tout.....	87 pouces	2210 mm
Hauteur minimale hors tout.....	62 pouces	1575 mm
Hauteur maximale de l'arceau à 6 points	73 pouces	1855 mm
Hauteur minimale de l'arceau à 6 points.....	25.5 pouces	650 mm
Hauteur à portée maximale.....	68 pouces	1730 mm
Portée à hauteur maximale.....	122.5 pouces	570 mm
Portée à hauteur minimale.....	28.5 pouces	725 mm
Portée maximale*.....	32.5 pouces	825 mm
Rayon de braquage.....	77 pouces	1960 mm
Pieds ouverts - Largeur externe.....	56 pouces	1420 mm
Pieds ouverts - Largeur interne.....	49 pouces	1245 mm
Pieds fermés - Largeur externe	35 pouces	885 mm
Pieds fermés - Largeur interne	27.5 pouces	700 mm
Hauteur des pieds, hors tout.....	5 pouces	130 mm
Garde au sol.....	0.75 pouces	20 mm
Roulettes jumelées avant.....	4 pouces	100 mm
Roulettes freinées arrière.....	4 pouces	100 mm

* Portée = distance entre le centre de l'arceau à 6 points et l'avant du mât

Poids

Ensemble mât/base/bras.....	240 livres	109 kg
(avec l'arceau à 6 points)		
Bloc d'alimentation	6,6 livres	3 kg
Total.....	246,6 livres	112 kg
Arceau à 6 points.....	20 livres	9 kg

Toutes les mesures sont indiquées avec une tolérance de +5 / -5.

Specifications Electriques

BATTERIES.....	24 volts, de type plomb-acide, scellées et rechargeables
CAPACITÉ DES BATTERIES.....	3,2 A/h
VALEUR NOMINALE D'ENTRÉE DU CHARGEUR	230 V CA 50/60 Hz
VALEUR NOMINALE DE SORTIE DU CHARGEUR.....	27,4/29 V CC à 0,8 A

Protection contre l'électrocution

CHARGEUR.....	CLASSE II
LÈVE-PERSONNE.....	SOURCE D'ALIMENTATION INTERNE

Degré de protection contre l'électrocution

CHARGEUR.....	TYPE B
LÈVE-PERSONNE.....	TYPE B

Conditions Environnementales

En dehors de cet environnement, le fonctionnement et la sécurité de l'appareil peuvent être compromis.

Fonctionnement

TEMPÉRATURE	>+5°C <+40°C
HUMIDITÉ RELATIVE.....	20% - 90% à 30° C (sans condensation)

Stockage

TEMPÉRATURE	>-10°C <+50°C
HUMIDITÉ RELATIVE.....	20% - 90% à 30° C (sans condensation)
PRESSION ATMOSPHÉRIQUE	700 - 1060 hpa

Indices de protection IP

BOÎTIER DE COMMANDE.....	IPX4
VÉRIN.....	IPX6
CHARGEUR NON TRANSPORTÉ	IPX5
BATTERIE.....	IPX5
COMMANDE MANUELLE.....	IPX5

Cycles de service

VÉRIN.....	10% (2 min / 18 min)
CHARGEUR.....	4 heures (environ)

Valeurs acoustiques

NIVEAU SONORE PONDÉRÉ A.....	64 dB
------------------------------	-------

Symboles

Les symboles suivants sont utilisés sur le chargeur, l'unité de commande et les batteries:



Équipement de type B, conformément à la norme EN 60601-1



Équipement de classe 2



Le chargeur et l'unité de commande ne doivent pas être éliminés avec les déchets ménagers.



Les batteries ne doivent pas être éliminées avec les déchets ménagers.



Les composants électroniques ne doivent pas être éliminés avec les déchets ménagers.



Pour une utilisation en intérieur



ATTENTION, consultez les documents fournis avec l'appareil.

11. Garantie

Joerns Healthcare possède un réseau d'agents de service et de distributeurs agréés qui se feront un plaisir de répondre à vos questions relatives à l'achat, la garantie, la réparation et l'entretien de votre matériel. Nous vous recommandons de confier la mise en service de nos produits à votre agent de service ou distributeur agréé.

Le programme de garantie est assuré par votre distributeur ou l'agent de service, il est donc important de conserver soigneusement ses coordonnées (nom, adresse et numéro de téléphone) afin de pouvoir le contacter en cas de problème. An cas de doute sur le lieu d'achat de votre lève-personne, Joerns Healthcare est en mesure d'identifier votre fournisseur à partir du numéro de série du lève-personne.

Toutes les réclamations au titre de la garantie sont conditionnées à l'usage et à l'entretien corrects et conformes au manuel d'utilisation livré avec chaque appareil. Tout endommagement résultant d'une utilisation dans des conditions inadaptées ou du non-respect des consignes d'entretien et d'utilisation n'est pas couvert pas la garantie. La garantie ne porte pas atteinte à vos droits légaux.

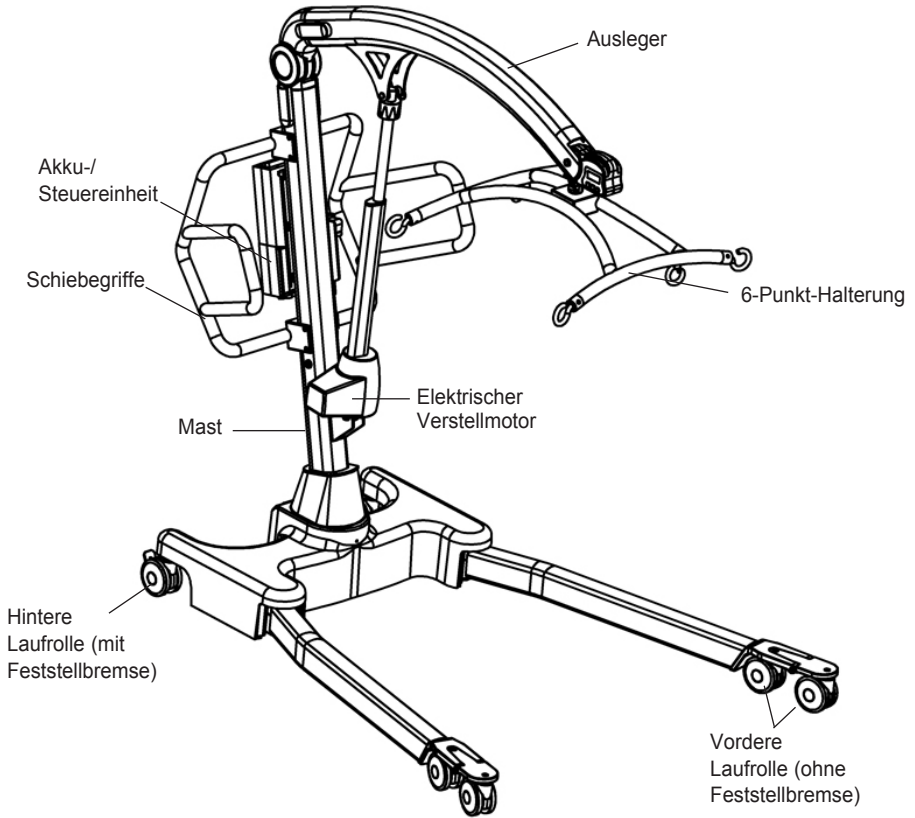
N'OUBLIEZ PAS: Contactez votre agent de service ou distributeur agréé pour vos achats, réparations, entretiens et maintenances certifiées.

Votre distributeur:

Inhalt

1. Der Oxford Calibre Patientenlifter	57
2. Einführung: Über den Patientenlifter	58
3. Montage und Inbetriebnahme	59
4. Sicherheitsvorkehrungen.....	64
5. Smart Monitor und Handbedienung	66
6. Bedienungsanleitung.....	70
7. Ausbau der 6-Punkt-Halterung.....	73
8. Laden der Akkus	75
9. Wartungsplan und tägliche Prüfliste	77
10. Technische Daten	79
11. Garantie.....	82

1. Der Oxford Calibre Patientenlifter



2. Einführung: Über den Patientenlifter

Alle Calibre Patientenlifter werden vor der Auslieferung unter Last getestet und zertifiziert.

Die Verpackung besteht aus einem stabilen, eigens für diesen Zweck hergestellten Karton, der für Lieferungen ins In- und Ausland verwendet wird, um die sichere Anlieferung des Patientenlifters zu gewährleisten. Mit jedem Patientenlifter werden die zugehörigen Unterlagen in einer beiliegenden Tasche mitgeliefert, die zur späteren Verwendung sicher aufbewahrt werden müssen.

- PRÜFZERTIFIKAT
- HÄNDLER-GARANTIEKARTE
- PACKLISTE
- BENUTZERHANDBUCH
- KUNDENZUFRIEDENHEITSKARTE

Das PRÜFZERTIFIKAT ist ein wichtiges Dokument und wird für Ihre Versicherungsunterlagen benötigt. Es ist sechs Monate lang gültig, danach muss am Patientenlifter eine Inspektion und Wartung gemäß Wartungsplan durchgeführt werden.

Das CE-Zeichen: Der Oxford Calibre weist das CE-Zeichen auf und entspricht den folgenden EU-Richtlinien:



- Medizinprodukterichtlinie (93/42/EWG)
- EMV-Richtlinie (89/336/EWG)
- Niederspannungsrichtlinie (73/23/EWG)

Bestimmungsgemäße Verwendung

Der Oxford Calibre Patientenlifter ist ein passives medizinisches Gerät zum sicheren Heben und Umlagern von Patienten bis zur maximalen Tragfähigkeit von 385 kg (850 lbs).

Der Oxford Calibre Patientenlifter ist **NUR FÜR DEN GEBRAUCH IN GEBÄUDEN** bestimmt und muss von mindestens zwei Personen/Pflegepersonen bedient werden.

Der Oxford Calibre ist ein elektrischer Patientenlifter und ist dafür ausgelegt, die sichere Handhabung und das sichere Umlagern von Patienten sowohl für den Patienten als auch für die Pflegeperson zu unterstützen und zu fördern.

Der Oxford Calibre ist für Patienten in SITZENDER, SITZENDER/LIEGENDER und LIEGENDER Position geeignet. Beispiele für Gurte, die für dieses Gerät geeignet sind, werden wie folgt angegeben:

- Oxford Bariatric Hammock (Bariatrisch) (Maximale Tragfähigkeit - 385kg (850lbs))

Erwartete Lebensdauer

Die erwartete Lebensdauer des Oxford Calibre Patientenlifters beträgt fünf Jahre (basiert auf einer durchschnittlichen täglichen Nutzung von fünf Hebevorgängen pro Tag). Die Lebensdauer basiert auf der strengen Einhaltung des Wartungs- und Serviceplans sowie den in diesem Benutzerhandbuch angegebenen täglichen Überprüfungen und dass die Arbeiten von einem Fachmechaniker durchgeführt werden.

3. Montage und Inbetriebnahme

Inhalt des Kartons

Stellen Sie den Versandkarton in einem freien Arbeitsbereich auf und öffnen Sie ihn vorsichtig.

Der Karton enthält folgendes:

- OXFORD CALIBRE PATIENTENLIFTER
- TASCHE MIT UNTERLAGEN
- HANDSTEUERUNG
- AKKUEINHEIT
- LADEKABEL
- TISCHLADEGERÄT/STÄNDER

Benötigtes Werkzeug

Zur Montage wird das folgende Werkzeug benötigt:

- 13MM STECKSCHLÜSSELEINSATZ
- DREHMOMENTSCHLÜSSEL

⚠️ WARNUNG

Die Montage und die Inbetriebnahme müssen von einem Fachmechaniker des autorisierten Oxford Kundendienstes/Fachhändlers durchgeführt werden.

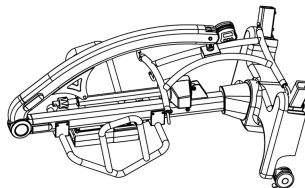
⚠️ WARNUNG

ES WERDEN MINDESTENS 2 PERSONEN BENÖTIGT. Der Oxford Calibre ist schwer und muss vorsichtig angehoben werden. Sie werden beim Herausheben des Oxford Calibre Hilfe benötigen.

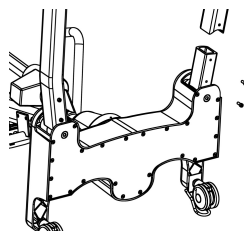
Montage

Nehmen Sie alle Teile aus dem Karton heraus, legen Sie sie auf den Boden und achten Sie darauf, dass dabei die Lackierung des Geräts nicht beschädigt wird.

1. Platzieren Sie die Baugruppe Mast/Fahrgestell in einem freien Arbeitsbereich und legen Sie sie mit den hinteren Laufrollen und dem Schiebegriff auf den Boden ab.



2. Montieren Sie den linken und rechten Fuß (überprüfen Sie die richtige Ausrichtung) jeweils mit zwei der mitgelieferten M10 Schrauben an das Fahrgestell.



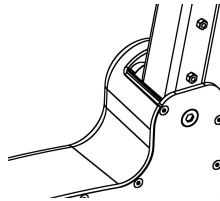
3. Ziehen Sie die M10 Schrauben an beiden Füßen mit einem Steckschlüssel und einem Drehmomentschlüssel fest.

⚠ WARNUNG

Achten Sie darauf, dass die Schrauben gut festgezogen sind. Es wird ein Anzugmoment von 10Nm empfohlen

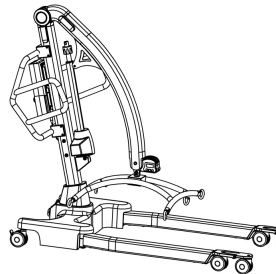
⚠ WARNUNG

Einklemmgefahr für die Finger. Halten Sie beim Einführen des Fußes in die Fußaufnahme die Finger vom Fußende fern. Halten Sie bei der Montage der Füße an das Fahrgestell die Finger von der Halterung der vorderen Laufrolle fern.



4. Heben Sie den Calibre so an, dass er auf den Laufrollen steht.

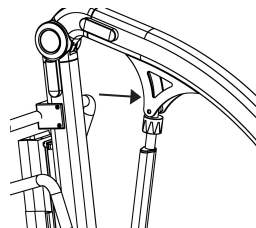
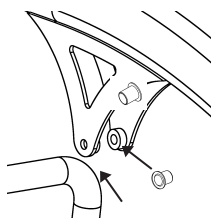
HINWEIS: Auf ebenem Untergrund müssen alle 6 Laufrollen auf dem Boden aufliegen.



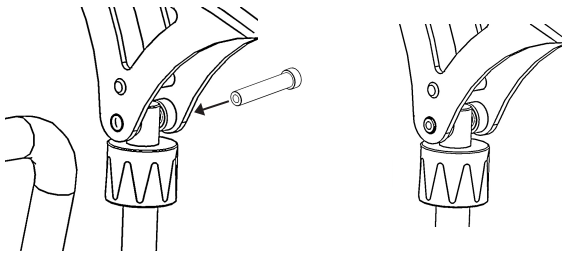
⚠ WARNUNG

Der Calibre ist sehr schwer, zum Anheben des Patientenlifters werden mindestens 2 Personen benötigt.

5. Stecken Sie die zwei Buchsen an der Außenseite der Halteplatten an beiden Seiten des Auslegers ein. Heben Sie den Ausleger an und positionieren Sie den Verstellmotor so, dass die oberen Befestigungslöcher mit den Löchern in der Halteplatte am Ausleger fluchten.



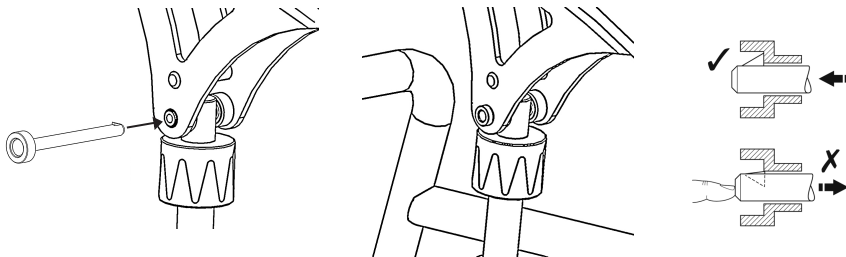
6. Stecken Sie die Hülse des Kugelsperbolzens in das Loch an der Halteplatte/am Verstellmotor ein. Achten Sie darauf, dass die Hülse ganz im Loch an beiden Halteplatten einrastet.



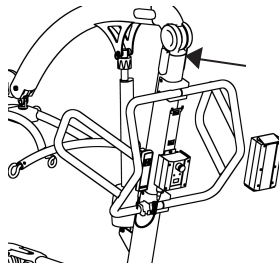
7. Führen Sie den Kugelsperbolzen durch dessen Hülse ein, bis er richtig sitzt.

⚠️ WARNUNG

Überprüfen Sie, ob der Kugelsperbolzen ganz eingeführt wurde, versuchen Sie dazu, den Bolzen herauszuschieben.



8. Setzen Sie die Akkueinheit in den Patientenlifter ein und vergewissern Sie sich, dass der Verschluss, mit dem die Einheit gesichert ist, ganz eingerastet ist. Die Einheit muss mit einem Klickgeräusch einrasten. Überprüfen Sie, dass der Akku ganz aufgeladen ist.



9. Stecken Sie die Handbedienung am Steuerkasten ein.

Demontage

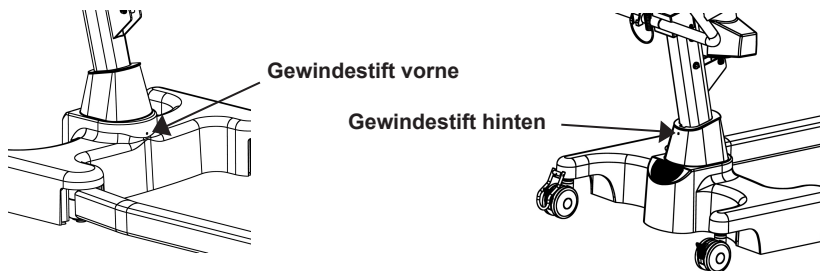
⚠ WARNUNG

Die Demontage muss von einem Fachmechaniker eines autorisierten Oxford Kundendienstes/Fachhändlers durchgeführt werden.

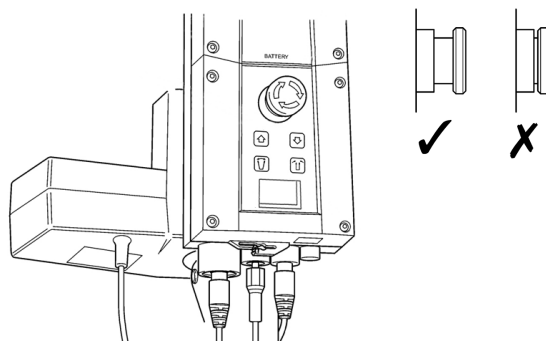
Der Patientenlifter darf nur zur Wartung, für Reparaturen oder, falls erforderlich, für den Transport demontiert werden. Führen Sie dazu die Montageanleitung in umgekehrter Reihenfolge durch.

ÜBERPRÜFEN SIE VOR DEM BETRIEB IMMER FOLGENDE PUNKTE:

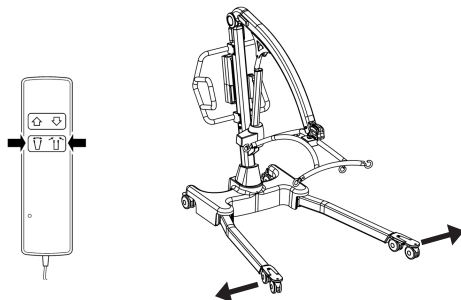
- Der Mast ist in der richtigen Stellung und verriegelt. Überprüfen Sie dazu, dass die Gewindestifte vorne und hinten am Fahrgestell festgezogen sind.



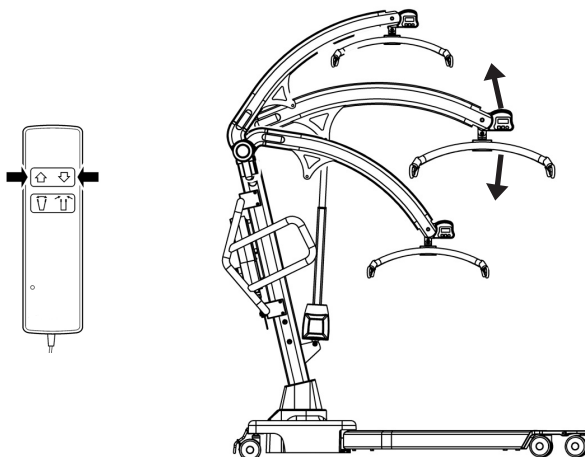
- Der rote Not-Halt-Knopf hinten am Steuerkasten befindet sich in der OFF (heraus) Stellung.



- Das Fahrgestell des Patientenlifters lässt sich ungehindert öffnen und schließen (mit der Handbedienung).



- Drücken Sie die Tasten Aufwärts und Abwärts an der Handbedienung und überprüfen Sie, dass sich der Ausleger nach oben und unten bewegt.



4. Sicherheitshinweise

Bitte lesen und beachten Sie die folgenden Sicherheitshinweise. Der Betrieb und die Benutzung des Oxford Patientenlifters ist einfach und unkompliziert. Wenn Sie diese grundlegenden Sicherheitsvorkehrungen beachten, wird der Hebebetrieb einfach und problemlos ablaufen.

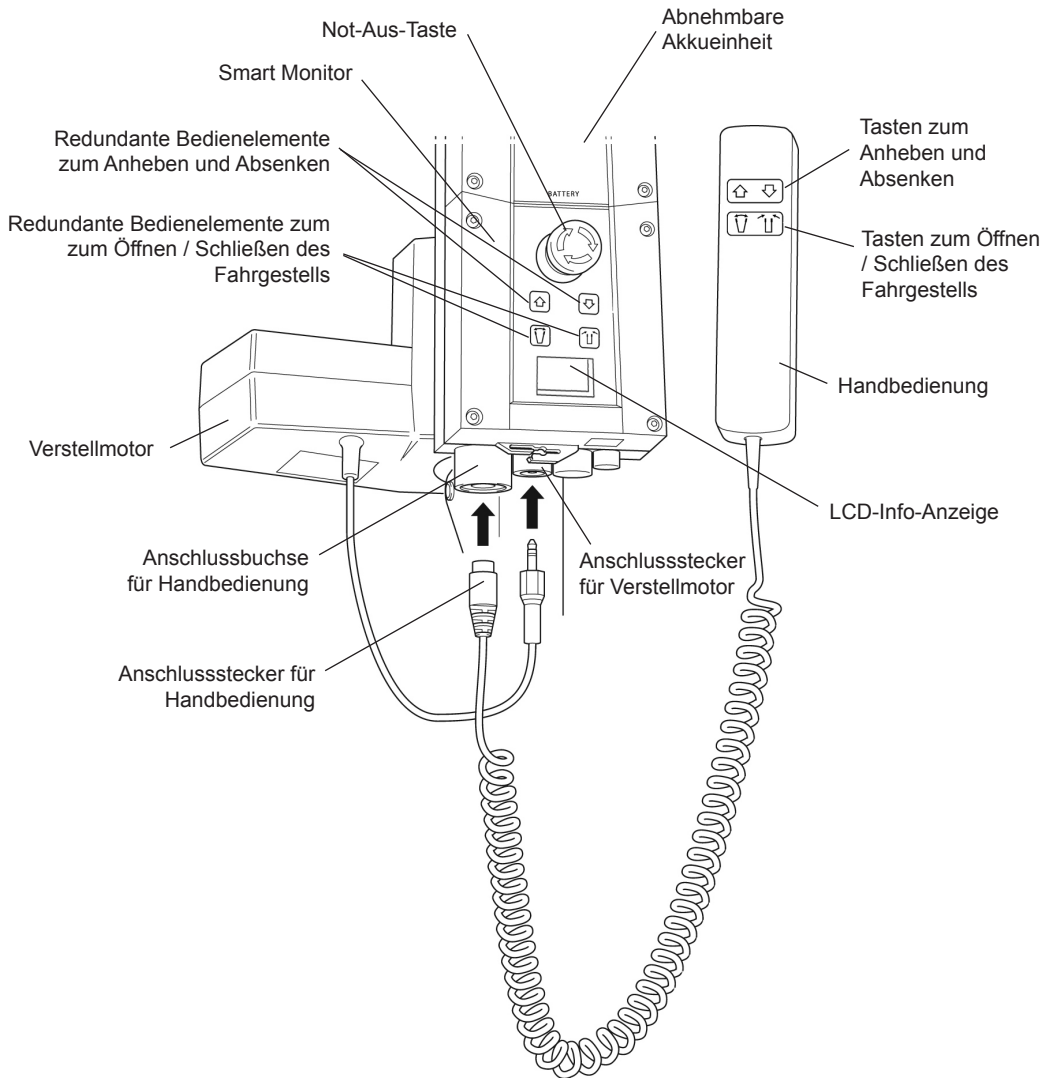
DER „CALIBRE“ PATIENTENLIFTER DARF NUR VON PERSONEN BENUTZT WERDEN, DIE DIESES BENUTZERHANDBUCH GELESEN UND VERSTANDEN HABEN.

WARNUNG

- Planen Sie Ihre Hebevorgänge **IMMER** zuerst, bevor Sie damit beginnen.
- Gehen Sie vor **JEDEM** Einsatz des Patientenlifters die **TÄGLICHE PRÜFLISTE** durch.
- Machen Sie sich vor dem Heben von Patienten **IMMER** mit den Bedienungselementen und Sicherheitseinrichtungen des Patientenlifters vertraut.
- Verwenden Sie **NUR** Gurte, die zur Verwendung mit diesem Patientenlifter empfohlen werden.
- Prüfen Sie **IMMER**, ob der Gurt für den jeweiligen Patienten geeignet ist und die korrekte Größe und Tragfähigkeit aufweist.
- Verwenden Sie **KEINE** ausgefransten oder beschädigten Gurte.
- Bringen Sie den Gurt **IMMER** gemäß der Anleitung (Benutzerhandbuch) an.
- Überprüfen Sie **IMMER**, dass die maximale Tragfähigkeit des Patientenlifters für das Körpergewicht des Patienten geeignet ist.
- Führen Sie die Hebevorgänge **IMMER** nach der Anleitung im Benutzerhandbuch durch.
- Bedien- oder Sicherheitselemente dürfen **AUF KEINEN FALL** entfernt oder umgangen werden, um den Betrieb des Patientenlifters zu vereinfachen.
- Heben Sie Patienten **NIEMALS** mit festgestellten Laufrollen an. Der Patientenlifter muss sich immer auf den richtigen Schwerpunkt positionieren können.
- Manövrieren Sie den Patientenlifter **KEINESFALLS** durch Schieben am Mast, Ausleger oder am Patienten.
- Manövrieren Sie den Patientenlifter **IMMER** mit dem dafür vorgesehenen Handgriff / Fußschiebepedal.
- Senken Sie den Patienten vor Beginn des Umlagerens **IMMER** auf die niedrigste bequeme Position ab.
- Schieben Sie den beladenen Patientenlifter **NICHT** schneller als mit langsamer Schrittgeschwindigkeit (3 km/h, 0,8 m/s).

- Schieben Sie den Patientenlifter NICHT über unebenen oder rauen Untergrund, vor allem nicht, wenn er beladen ist.
- Schieben bzw. ziehen Sie den beladenen Patientenlifter NICHT über Hindernisse am Boden.
- Betätigen Sie die Bedienungs-/Sicherheitselemente NIEMALS mit Gewalt. Alle Elemente sind leichtgängig und ohne größere Kraftanstrengung zu betätigen.
- Beachten Sie IMMER die Einschaltdauer von 22.5 Minuten zwischen Hebevorgängen. Bei Nichtbeachtung der Einschaltdauer kann die Lebensdauer des Produkts wesentlich verkürzt werden.
- Parken Sie den beladenen Patientenlifter NICHT auf schiefen Ebenen.
- Benutzen Sie elektrische Patientenlifter NICHT in der Dusche.
- Laden Sie elektrische Patientenlifter NICHT in Bädern oder Duschräumen auf.
- Bedienen Sie den Patientenlifter NICHT, außer Sie wurden dazu entsprechend geschult.
- IHR Patientenlifter ist zum Heben von Patienten bestimmt. Benutzen Sie ihn NICHT für andere Zwecke oder lassen Sie ihn andere nicht für andere Zwecke benutzen.
- Der Patientenlifter darf in beladenem oder unbeladenem Zustand KEINE Stufen hinunter geschoben werden.
- Führen Sie den beladenen Patientenlifter NICHT über schiefe Ebenen mit einem Gefälle über 1:12 (ca. 5 Grad).
- Führen Sie den Patientenlifter NUR über Gefälle, wenn mindestens zwei Personen/ Pflegepersonen zur Unterstützung anwesend sind.
- Verwenden Sie ihn NICHT in einer feuchten oder korrosiven Umgebung wie z. B. neben einem Schwimmbaden.
- Benutzen Sie den beladenen oder unbeladenen Patientenlifter NUR, wenn mindestens zwei Personen/Pflegepersonen zur Unterstützung anwesend sind.

5. Smart Monitor und Handbedienung



Bestimmungsgemäße Verwendung

Der Oxford Smart Monitor ist ein Steuersystem für mobile Oxford Patientenlifter. Der Smart Monitor speichert nützliche Servicedaten zum Patientenlifter, die bei Bedarf aufgerufen werden können. Zu den Servicedaten gehören:

- Anzahl der mit Patienten durchgeführten Hübe
- Gesamtleistung des Verstellmotors
- Anzahl der Überlasten am Patientenlifter (Hubversuche über der maximalen Tragfähigkeit)
- Anzahl der Tage seit dem letzten Serviceintervall

In den Oxford Smart Monitor ist ein Mikroprozessor eingebaut, mit dem Servicedaten über die eingebaute LCD-Anzeige ausgelesen werden kann.

Funktionen

- Datensammlung im Steuerkasten mit Anzeige der Daten über eine LCD-Anzeige
- Leistungszähler
- Intelligenter Hubzähler
- Serviceanzeige
- Serviceintervallanzeige
- Überlastinformationen
- 3-stufige Akkuanzeige


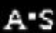


Vorteile

- Mehr Sicherheit für Patienten und Pflegepersonal
- Korrekte Servicedaten auf Knopfdruck verfügbar
- Optimierte Lebensdauer des Produkts
- Einfache Wartung für Mechaniker und Servicemechaniker

LCD Anzeige

Mit dem Oxford Smart Monitor können Daten über die LCD-Anzeige ausgelesen werden. Es können die Gesamtzahl der Hubvorgänge, Gesamtleistung, Überlasten und Anzahl der Tage seit dem letzten Service ausgelesen werden, die zur schnellen und einfachen Beurteilung des Zustands des Hubverstellmotors verwendet werden können.

Der Zugriff auf die Daten erfolgt durch Drücken der Taste 'UP' an der Handbedienung für ½ Sekunde oder der redundanten Taste 'UP' am Smart Monitor.

	12034	— Gesamtzahl der Hübe
	1257000	— Gesamtleistung (Ampere * Sekunden)
	7	— Anzahl der Überlasten
	90/180	— Anzahl der Tage (seit dem letzten Service) / Anzahl der Tage (zwischen einem Service und dem nächsten)

Informationen zu Service und Verwendung



Wenn ein Service fällig ist, erscheint das Service-Symbol auf dem Display. Wenn die Handbedienung aktiviert ist, gibt der Smart Monitor auch ein akustisches Signal ab, das den Benutzer darauf hinweist, dass ein Service erforderlich ist.

Das Service-Symbol wird jedes Mal angezeigt, wenn die Taste zum Anheben oder Absenken an der Handbedienung gedrückt wird. Wenn das Service-Symbol angezeigt wird, wenden Sie sich sofort an Ihren autorisierten Fachhändler, um einen Termin für einen Service zu vereinbaren.

Sie können den Patientenlifter für kurze Zeit weiter benutzen, bis ein Service durchgeführt wurde.

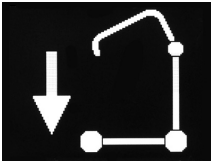


Wenn der Patientenlifter wegen einer Überlast (ein Versuch, mehr als die maximal zulässige Tragkraft anzuheben) stoppt, erscheint das Überlast-Symbol auf der LCD-Anzeige und der Patientenlifter funktioniert erst wieder, wenn die zusätzliche Last (über der maximalen zulässigen Tragkraft) abgenommen wurde.

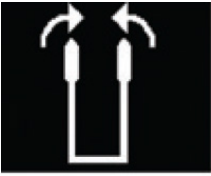
WARNUNG

Wenn die LCD-Anzeige auf Ihrem Smart Monitor eine Überlast erfasst hat, empfiehlt Joerns Healthcare, vor der weiteren Benutzung ALLE täglichen Routineprüfungen am Patientenlifter durchzuführen (eine Liste der täglichen Überprüfungen finden Sie im Benutzerhandbuch des Patientenlifters). Joerns Healthcare empfiehlt auch, dass Sie sich für weitere Informationen an Ihren autorisierten Oxford Fachhändler wenden.

Eingebaute redundante Steuerung



Mit der eingebauten redundanten Steuerung kann der Patientenlifter im Notfall angehoben oder abgesenkt werden.

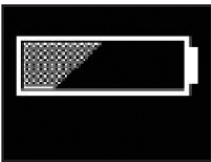


Wenn Ihr Patientenlifter mit einer elektrischen Fahrgestellpositionierung ausgestattet ist, sind redundante Bedienelemente zum Öffnen und Schließen des Fahrgestells vorhanden.

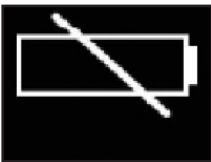
Angaben zum Akku



Wenn auf dem Display ein voller Akku angezeigt wird, heißt das, dass der Akku ganz aufgeladen und der Patientenlifter betriebsbereit ist.



Wenn auf dem Display eine halb leerer Akku angezeigt wird, heißt das, dass der Akku aufgeladen werden muss.



Das Symbol mit dem leeren Akku auf dem Display zeigt an, dass der Akku ganz leer ist und sofort aufgeladen werden sollte.

⚠ WARNUNG

Um eine mögliche Dauerschädigung des Akkus zu vermeiden, sollte der Akku aufgeladen werden, wenn das halb leere Akkusymbol auf dem Display angezeigt wird.

6. Bedienungsanleitung

1. Einstellen der Fahrgestellbreite

Die Fahrgestellbreite des Calibre kann elektrisch verstellt werden. Das Fahrgestell kann gespreizt werden, damit es um Sessel oder Rollstühle passt. Zum Transfer und zum Schieben durch enge Türen und Durchgänge muss das Fahrgestell immer zusammengeführt sein.

Die elektrische Verstellung des Fahrgestells - wird durch Drücken der entsprechenden Tasten an der Handbedienung gesteuert. Das Fahrgestell wird verriegelt, wenn der Schalter an der Handbedienung losgelassen wird.

2. Laufrollen und Feststellbremsen

Der Patientenlifter verfügt über zwei feststellbare Laufrollen, die beim Abstellen benutzt werden. Beim Heben müssen die Laufrollen frei und nicht festgestellt sein. Der Patientenlifter kann sich dann zum Schwerpunkt des Patientenlifters bewegen. Wenn Sie die Bremse betätigen, kann der Patient zum Schwerpunkt geschwenkt werden, das kann beunruhigend oder unangenehm sein.

3. Anheben und Absenken des Auslegers

Die Bewegung des Auslegers erfolgt durch einen leistungsstarken elektrischen Verstellmotor, der durch eine einfache Handbedienung gesteuert wird. An der Handbedienung befinden sich zwei Tasten mit den Richtungspfeilen AUFWÄRTS und ABWÄRTS ↑↓. Der Verstellmotor stoppt automatisch in der oberen bzw. unteren Endlage. Die Handbedienung wird an einer Buchse unten am Steuerkasten eingesteckt.

4. Notbremsung

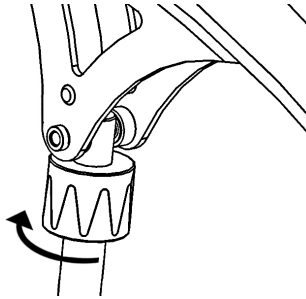
Der rote Not-Aus-Knopf befindet sich an der Vorderseite des Steuerkastens und wird durch Drücken ausgelöst. Damit wird die gesamte Stromzufuhr zum Patientenlifter unterbrochen. Um den Not-Aus-Zustand aufzuheben, den Knopf entgegen dem Uhrzeigersinn drehen und loslassen.

5. Redundante Steuerung

Alle Oxford Patientenlifter sind mit Tasten zum Anheben und Absenken am Steuerkasten ausgestattet. Sie befinden sich unter der Not-Aus-Taste und können beim Ausfall der Handbedienung zum Absenken/Anheben des Patienten verwendet werden.

6. Mechanische Notabsenkung

Für den Fall eines kompletten Stromausfalls ist der elektrische Verstellmotor mit einem federunterstützten mechanischen Senkmechanismus (ROTER KNOPF) ausgestattet. Der Mechanismus funktioniert nur, wenn der Patientenlifter unter Last steht. Um ihn zu aktivieren, muss die Vorrichtung von Hand gedreht und losgelassen werden. Der Patientenlifter wird dann langsam abgesenkt. Wiederholen Sie den Vorgang, bis der Patient sicher unten angekommen ist.



⚠️ WARNUNG

Wenn diese Funktion benutzt wurde, MUSS der Patientenlifter danach von einem Fachmechaniker überprüft werden.

7. Akkus

Die Akkus sind durch ein ALARMSIGNAL BEI NIEDRIGEM LADESTAND vor der Tiefentladung geschützt. Dieser Alarm ertönt bei der Betätigung der Handbedienung, wenn die Akkus aufgeladen werden müssen. Der Alarm ertönt nur, wenn die Handbedienung betätigt wird. **DIESER ALARM IST UNBEDINGT ZU BEACHTEN.** Führen Sie den Hebevorgang zu Ende und laden Sie die Akkus auf (siehe „Aufladen der Akkueinheit“).

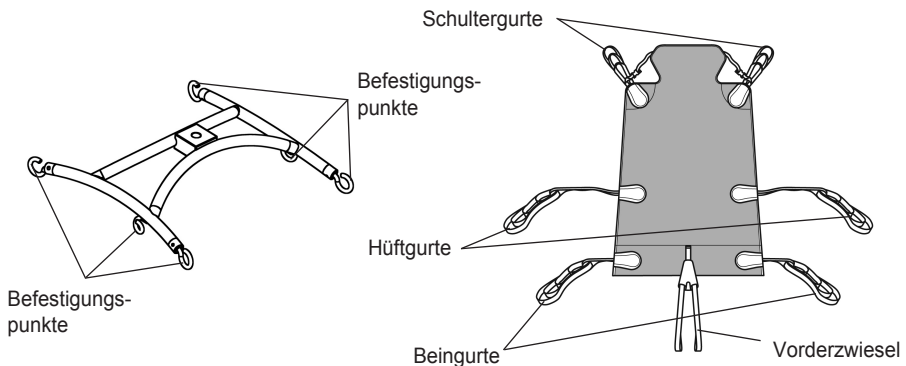
8. Gurte

Der Oxford Calibre ist mit einer 6-Punkt-Halterung ausgestattet.

Das 6-Punkt-System besteht aus Gurtschlaufen in verschiedenen Farben, die jeweils eine Anpassung der Positionierung ermöglichen.

Schlaufen an den Haltegurten: Bariatric Hammock (Bariatrisch)
(max. Tragfähigkeit = 385kg/850lbs)

Das 6-Punkt-System wird mit Gurtschlaufen (siehe unten) an den 6-Punkt-Haken an der Halterung befestigt, alle Gurte werden mit einer Bedienungsanleitung ausgeliefert. **Bitte lesen Sie die Bedienungsanleitung vor der Benutzung durch.**



6-Punkt-Halterung. Beispiel für eine 6-Punkt-Halterung mit Schlaufen.

HINWEIS: Für detaillierte Anleitungen zur Befestigung siehe die Bedienungsanleitung für die Gurte.

⚠️ WARNUNG

Joerns Healthcare empfiehlt, die Gurte regelmäßig und vor dem Gebrauch auf Ausfransen oder andere Schäden zu prüfen. Verwenden Sie KEINE Gurte, die abgenutzt oder beschädigt sind.

⚠️ WARNUNG

OXFORD EMPFIEHLT DIE VERWENDUNG VON ORIGINAL OXFORD-TEILEN. Bespannungen und Lifts von Oxford sind frei miteinander kombinierbar. Länderspezifische Angaben zur Bespannung und Kompatibilität finden Sie im Etikett der Bespannung oder wenden Sie sich an Ihren örtlichen Händler oder an Joerns Healthcare.

⚠️ WARNUNG

Bitte beachten Sie die maximale Tragfähigkeit des Lifters. Die Kapazität der Gurte ist durch die maximale Tragfähigkeit des Lifters begrenzt.

7. Abnehmen des 6-Punkt-Halterungssystems

DIESE ANLEITUNG GANZ GENAU BEACHTEN

Ihr Calibre Patientenlifter ist mit der 6-Punkt-Halterung ausgestattet. Das Abnehmen der Halterung wird mit dem Einsetzen des Kugelsperrbolzens abgeschlossen. Das geht schnell und einfach, Sie müssen dazu aber die folgenden Sicherheitshinweise lesen, um sicherzustellen, dass die 6-Punkt-Halterung vor dem Gebrauch richtig eingerastet ist.

Verbindung

⚠ WARNUNG

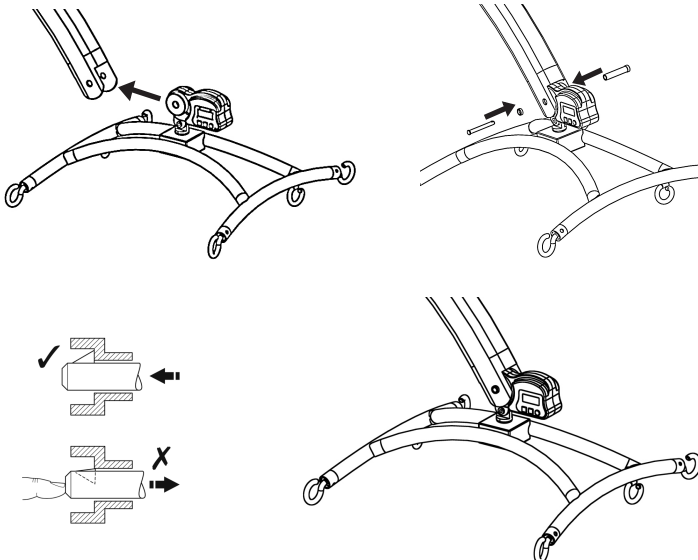
Zum Einbau der 6-Punkt-Halterung werden zwei Personen benötigt ODER es kann ein Auflagetisch verwendet werden.

Zum Einbau die 6-Punkt-Halterung zur Aussparung für den Ausleger anheben.

Stecken Sie die Hülse durch die Endkappe aus Kunststoff ein, um die 6-Punkt-Halterung abzustützen.

Wenn die Halterung in der Aussparung am Anleger ausgerichtet ist, den Kugelsperrbolzen ganz in die Hülse einstecken, bis er einrastet. **SIE MÜSSEN ÜBERPRÜFEN, DASS DER BOLZEN RICHTIG SITZT.**

Drücken Sie dazu mit Ihrem Finger auf das gerippte Ende. Wenn sich der Bolzen nicht bewegt, darf der Patientenlifter benutzt werden.

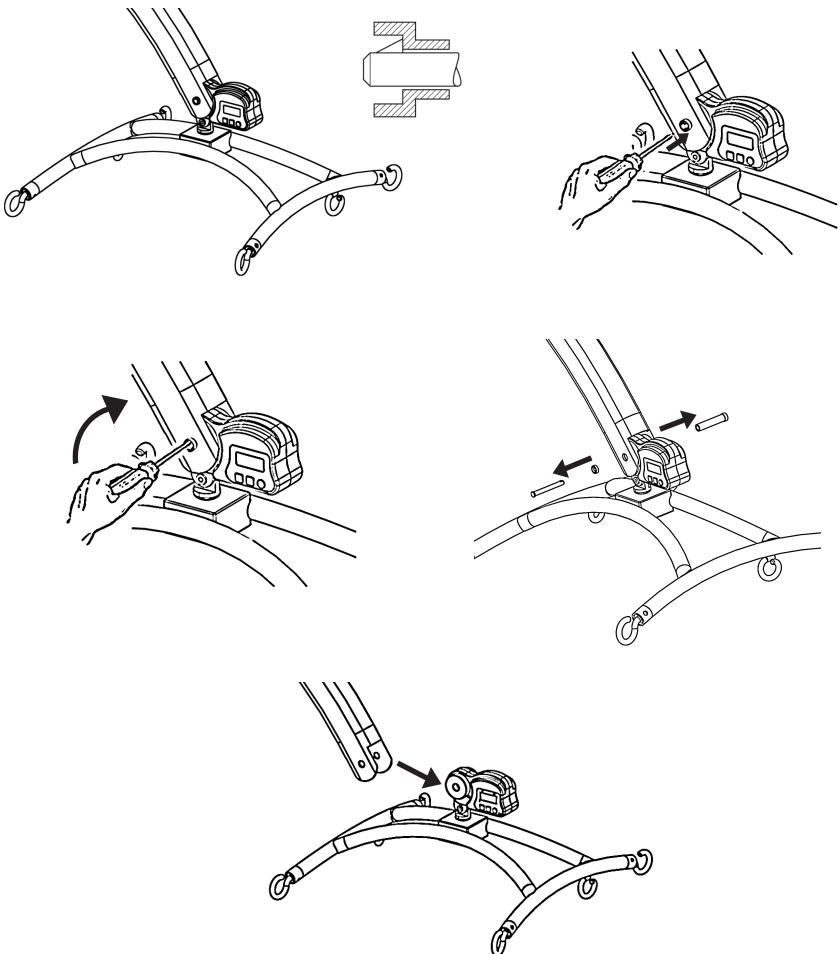


Ausbau

VORSICHT: Vor dem Herausnehmen des Bolzens unbedingt das Gewicht der 6-Punkt-Halterung abstützen.

Zum Lösen des Kugelsperrbolzens auf das gefederte gerippte Ende (mit einem flachen Akkuschauber oder ähnlichem) drücken und den Bolzen herausziehen.

Stützen Sie die 6-Punkt-Halterung ab, ziehen Sie den Kugelsperrbolzen in die entgegengesetzte Richtung und nehmen Sie ihn dann ganz vom Ausleger ab. Dadurch wird die 6-Punkt-Halterung ganz gelöst.



8. Aufladen der Akkueinheit

Die Akkus befinden sich in der Akkueinheit und werden über eine externe Tischladeeinheit aufgeladen.

Wenn die Akkueinheit aufgeladen werden muss, wird sie vom Lifter entfernt und an eine externe Ladeeinheit angeschlossen.

Joerns Healthcare Ltd empfiehlt, eine Ersatz-Akkueinheit zu kaufen, sodass eine Einheit ständig geladen sein kann.

1. Entfernen Sie die Akkueinheit aus dem Lifter. Die Einheit ist mit einem einfachen Verschluss befestigt, der sich oben auf der Akkueinheit befindet. Wenn Sie den Verschluss anheben, wird die Akkueinheit freigegeben.
2. Schließen Sie die Akkueinheit an die Ladeeinheit an. Die Position und Befestigung der Akkueinheit an der Ladeeinheit ist dieselbe wie am Lifter.
3. Stecken Sie den Netzstromstecker des Ladegeräts in eine geeignete Netzsteckdose, und schalten Sie die Stromversorgung EIN.
4. Der Ladevorgang erfolgt automatisch, und die Akkus werden innerhalb acht bis zwölf Stunden vollständig aufgeladen. **Hinweis:** Auch wenn das Ladegerät längere Zeit angeschlossen bleibt, sind die Akkus vor Überladung geschützt.
 - a) Grünes Licht - Zeigt an, dass es eingeschaltet ist.
 - b) Gelbes Licht - Zeigt an, dass die Batterie geladen wird.
 - c) Batterie ist ganz aufgeladen, wenn das gelbe Licht ausgeht.

Hinweis: Der Ladevorgang dauert bis zu 4 Stunden.

Es wird empfohlen, die Batterie sofort nach dem Empfang aufzuladen.

5. Um den Lifter wieder in Betrieb zu nehmen, schalten Sie die Stromversorgung AUS und entfernen Sie die Akkueinheit vom Ladegerät. Setzen Sie die Akkueinheit in den Lifter ein und vergewissern Sie sich, dass der Verschluss, der die Einheit an ihrem Platz hält, vollständig eingerastet ist. Die Einheit muss mit einem klickenden Geräusch einrasten. Das Aufladen elektrischer Oxford Lifter ist einfach und direkt, aber es ist wichtig, die Ladeanweisungen genau zu befolgen. Beachten Sie bitte die folgenden Punkte, die Ihnen dabei helfen, Probleme mit entladenen Akkus zu vermeiden.

WARNUNG

- **Akku, Ladegerät, Handsteuerung und Steuereinheit dürfen NUR von autorisiertem Personal geöffnet werden. (Wenden Sie sich wegen Garantie und Reparaturen an Ihren Fachhändler).**
- **Die Akkupole/Pole des Ladegeräts NICHT berühren.**
- **Die Akkus IMMER ganz aufladen. Lassen Sie die Akkueinheit immer aufladen, wenn sie nicht benutzt wird. Wenn es für Sie einfacher ist, laden Sie sie jede Nacht auf. Das Ladegerät schützt die Akkueinheit vor dem Überladen.**
- **Die Akkus NIE ganz entladen lassen. Sobald das Alarmsignal ertönt, den Hebevorgang zu Ende führen und die Akkus aufladen.**

- Um eine mögliche Dauerschädigung des Akkus zu vermeiden, sollte der Akku aufgeladen werden, wenn das halb leere Akkusymbol auf dem Display angezeigt wird.
- Den Akku **IMMER** in regelmäßigen Abständen nachladen, wenn er für längere Zeit nicht verwendet wird.
- **STETS** darauf achten, dass die Netzspannung zum Ladegerät ausgeschaltet ist, bevor das Akkupaket angeschlossen oder abgenommen wird.
- Das Akkupaket **NIE** am Ladegerät angeschlossen lassen, wenn die Netzspannung zum Ladegerät ausgeschaltet ist.
- **DAS LADEGERÄT NICHT** eingeschaltet lassen, wenn der Akku nicht angeschlossen ist.
- **DEN PATIENTENLIFTER WÄHREND DES LADEVORGANGS NICHT** benutzen.
- **ÜBERPRÜFEN** Sie vor dem Verfahren, dass der Patientenzug nicht aufgeladen wird, da der elektrische Anschluss sonst dadurch beschädigt werden kann.
- **DAS LADEGERÄT KEINESFALLS** durch Ziehen am Kabel ausstecken.
- **ACHTEN SIE DARAUF**, dass Sie nicht über das Ladekabel stolpern.
- **LADEN SIE ELEKTRISCHE PATIENTENZUGS NICHT** in Bädern oder Duschräumen auf.

9. Wartungsplan und tägliche Prüfliste

Alle Oxford Produkte sind so ausgelegt, dass sie nur ein Minimum an Wartung benötigen. Einige Sicherheitsprüfungen und -maßnahmen müssen jedoch durchgeführt werden. Die TÄGLICHEN Überprüfungen sind unten aufgeführt. Durch die täglichen Überprüfungen und die halbjährliche Inspektion und Prüfung wird gewährleistet, dass der Patientenlifter im optimalen sicheren Betriebszustand gehalten wird. Eine Ersatzteilliste ist auf Anfrage erhältlich.

Die BELASTUNGSPRÜFUNG und -zertifizierung darf nur von Fachpersonal oder einem autorisierten Kundendienst / Fachhändler durchgeführt werden.

TÄGLICHE PRÜFLISTE: Joerns Healthcare empfiehlt dringend, den Patientenlifter jeden Tag und vor der Benutzung auf die folgenden Punkte zu überprüfen:

- VERGEWISSERN SIE SICH, dass sich der Patientenlifter frei auf den Laufrollen bewegen kann.
- VERGEWISSERN SIE SICH, dass sich die 6-Punkt-Halterung ungehindert drehen und schwenken lässt.
- VERGEWISSERN SIE SICH, dass die 6-Punkt-Halterung sicher am Ausleger befestigt ist.
- UNTERSUCHEN Sie die Gurthaken/Clips an der 6-Punkt-Halterung auf übermäßige Abnutzung.
- VERGEWISSERN SIE SICH, dass sich das Fahrgestell einwandfrei öffnen und schließen lässt.
- BETÄTIGEN SIE die Handbedienung, um sicherzustellen, dass sich der Ausleger einwandfrei heben und senken lässt.
- ÜBERPRÜFEN SIE, dass die Not-Aus-Taste funktioniert.
- ÜBERPRÜFEN Sie die Gurte auf Ausfransen oder andere Schäden. Beschädigte oder verschlissene Gurte NICHT verwenden.
- ÜBERPRÜFEN SIE, dass am Patientenlifter kein Alarm ertönt, wenn die Handbedienung betätigt wird. Wenn der Alarm ertönt, den Patientenlifter NICHT benutzen und sofort aufladen.
- VERGEWISSERN SIE SICH, dass die Verbindungsstellen zum Verstellmotor gesichert sind.

Wartung, Inspektion und Prüfung

Joerns Healthcare empfiehlt in regelmäßigen Abständen eine gründliche Inspektion und Prüfung des Oxford Calibre Patientenlifters, der Zubehörteile, Gurte, Waagen etc. Die Häufigkeit der Inspektionen ist je nach Einsatzort unterschiedlich, d.h., Sie müssen sich bei Ihrem Fachhändler oder bei der zuständigen Behörde vor Ort erkundigen, wie oft eine Inspektion durchgeführt werden muss.

Die Untersuchung und die Prüfung müssen nach den in diesem Handbuch angegebenen Empfehlungen und Verfahrensweisen durchgeführt werden. Joerns Healthcare empfiehlt, dass Wartung, Inspektion und zertifizierte Prüfungen nur vom autorisierten Kundendienst / Fachhändler durchgeführt werden.

HINWEIS: Diese Empfehlungen entsprechen den Vorgaben der britischen Vorschriften zur Arbeitssicherheit für Hebevorgänge und Hebevorrichtungen, "1998 No2307 Health and Safety: The Lifting Operations and Lifting Equipment Regulations 1998". Diese Vorschriften gelten in Großbritannien. Außerhalb von Großbritannien erkundigen Sie sich bitte nach den anwendbaren Vorschriften

DIE FOLGENDEN PRÜFUNGEN MÜSSEN DURCHGEFÜHRT WERDEN:

	Anfangs	Vor dem Gebrauch	Wartungsintervalle
1. 6-PUNKT-HALTERUNG: Überprüfen Sie, dass sich die 6-Punkt-Halterung ungehindert drehen und schwenken lässt. Überprüfen Sie den mittleren Drehpunkt auf Abnutzung. Überprüfen Sie, dass sie gut am Ausleger befestigt ist.	✓	✓	✓
2. AUSLEGER: Prüfen Sie die Verbindung von Ausleger und Mast. Stellen Sie sicher, dass sich der Ausleger nur geringfügig seitlich bewegen und sich frei auf dem Lager des Auslegers drehen lässt. Überprüfen Sie auch, dass die oberen Befestigungsteile des Verstellmotors gut gesichert sind.	✓	✓	✓
3. MAST: Überprüfen Sie die Funktion der Feststellschrauben. Vergewissern Sie sich, dass der Mast ganz in die Aufnahme am Fuß eingerastet ist. Überprüfen Sie die unteren Befestigungsteile für den Verstellmotor.	✓	✓	✓
4. VERSTELLMOTOR: Beim Verstellmotor ist keine Wartung erforderlich, es muss nur geprüft werden, dass er richtig funktioniert und keine ungewöhnlichen Geräusche feststellbar sind.			✓
5. SMART MONITOR: Überprüfen Sie die Funktion der Not-Aus-Taste. Überprüfen Sie, dass der richtige Anschluss in die Buchse an der Handbedienung eingesteckt ist. Überprüfen Sie die Funktion der Handbedienung. Überprüfen Sie die redundanten Bedienelemente und dass sie ordnungsgemäß funktionieren.	✓	✓	✓
6. AKKUS: Die Akkus sind in der Akkueinheit untergebracht und außer dem regelmäßigen Laden gemäß der Ladeanleitung ist keine Wartung erforderlich. Achten Sie darauf, dass die Anschlüsse sauber bleiben.			✓
7. EINSTELLEN DER FAHRGESTELLBREITE: Prüfen Sie, dass sich das Fahrgestell ganz nach innen und außen fahren lässt.	✓	✓	✓
8. LAUFROLLEN: Überprüfen Sie, dass alle Laufrollen fest mit dem Fahrgestell verbunden sind. Überprüfen Sie, dass sich die Laufrollen und die Räder ungehindert drehen können.	✓	✓	✓
9. REINIGUNG: Reinigen Sie den Patientenlifter mit normaler Seife und Wasser und/oder einem Desinfektionsmittel für harte Oberflächen. Starke chemische einigungsmittel oder Scheuermittel sollten nicht verwendet werden, da sie den Lack des Patientenlifters beschädigen können. Alle elektrischen Teile von Nässe fernhalten.		✓	✓
10. BELASTUNGSPRÜFUNG: Die Belastungsprüfung muss gemäß den Prüfverfahren des Herstellers durchgeführt werden. Es wird dringend empfohlen, die Prüfung von einem autorisierten Fachhändler durchführen zu lassen.			✓
11. FAHRGESTELL UND LENKROLLEN: Vergewissern Sie sich, dass das Fahrgestell ganz gerade steht (alle vier Lenkrollen liegen auf dem Boden auf).	✓	✓	✓
12. GURTE: Auf Abnutzung und Ausfransen überprüfen.	✓	✓	✓
13. SCHMIERUNG: Schmierer Sie Drehgelenke einschließlich Mast- und Auslegerverbindungen, Pedale und Verbindung zur 6-Punkt-Halterung (nur bei Bedarf).			✓
14. HANDBEDIENUNG: Vergewissern Sie sich, dass sie richtig in die Steuerung eingesteckt ist.	✓	✓	
15. KUGELSPERRBOLZEN: Überprüfen Sie vor dem Heben, dass der Bolzen richtig sitzt, drücken Sie dazu auf das gerippte Ende am Verstellmotor und an der 6-Punkt-Halterung	✓	✓	
15. BEFESTIGUNGSTEILE: Überprüfen Sie alle Muttern, Schrauben, Bolzen und Verbindungselemente auf übermäßige Abnutzung und festen Sitz. Bei Bedarf austauschen.			✓

10. Technische Daten

Höchstlast	850 lbs	385 kg
Maximale Gesamtlänge.....	71 Zoll	1805 mm
Mindestgesamtlänge	68.5 Zoll	1740 mm
Maximale Gesamthöhe	87 Zoll	2210 mm
Mindestgesamthöhe	62 Zoll	1575 mm
Maximale Höhe 6-Punkt-Halterung	73 Zoll	1855 mm
Mindesthöhe 6-Punkt-Halterung.....	25.5 Zoll	650 mm
Höhe bei maximaler Tragweite	68 Zoll	1730 mm
Tragweite bei maximaler Höhe	22.5 Zoll	570 mm
Tragweite bei Mindesthöhe	28.5 Zoll	725 mm
Maximale Tragweite*	32.5 Zoll	825 mm
Wenderadius	77 Zoll	1960 mm
Fahrgestell offen- äußere Breite	56 Zoll	1420 mm
Fahrgestell offen- innere Breite.....	49 Zoll	1245 mm
Fahrgestell geschlossen- äußere Breite	35 Zoll	885 mm
Fahrgestell geschlossen- innere Breite	27.5 Zoll	700 mm
Gesamthöhe des Fahrgestells	5 Zoll	130 mm
Bodenabstand	0,75 Zoll	20 mm
Doppelaufrollen vorne	4 Zoll	100 mm
Laufrollen mit Feststellbremse hinten	4 Zoll	100 mm

* Tragweite = Mitte der 6-Punkt-Halterung bis Vorderseite des Auslegers

Gewichte

Mast, Fahrgestell und Ausleger	240 lbs	109 kg
(einschließlich 6-Punkt-Halterung)		
Akkueinheit	6,6 lbs	3 kg
Gesamt.....	246,6 lbs	112 kg
6-Punkt-Halterung	20 lbs	9 kg

Alle Maßangaben mit +5/-5 Grad Toleranz.

Angaben Zur Elektrik

AKKUS	24 V, aufladbar, geschlossene Blei/Säure-Akkus
AKKUKAPAZITÄT	3,2 Ah
EINGANGSSPANNUNG DES LADEGERÄTS (NENNWERT)	230VAC 50/60Hz
AUSGANGSSPANNUNG DES LADEGERÄTS (NENNWERT).....	27,4/29,0 VDC@0,8A

Schutz gegen Stromschlag

LADEGERÄT	KLASSE II
PATIENTENLIFTER	INTERNE STROMQUELLE

Stoßfestigkeit

LADEGERÄT	TYP B
PATIENTENLIFTER	TYP B

Umgebungsbedingungen

Außerhalb dieser Umgebungsbedingungen können Funktionsfähigkeit und Sicherheit unter Umständen beeinträchtigt werden.

Betrieb

TEMPERATUR.....	>+5°C <+40°C
LUFTFEUCHTIGKEIT	20% - 90% @ 30°C (nicht kondensierend)

Lagerung

TEMPERATUR.....	>-10°C <+50°C
LUFTFEUCHTIGKEIT	20% - 90% @ 30°C (nicht kondensierend)
LUFTDRUCK.....	700 - 1060 hpa

IP Schutzklassen

STUERKASTEN.....	IPX4
VERSTELLMOTOR.....	IPX6
EXTERNER LADEGERÄT	IPX5
BATTERIE	IPX5
HANDBEDIENUNG	IPX5

Einschaltdauer

VERSTELLMOTOR.....	10% (2 Min. / 18 Min.)
LADEGERÄT	4 Stunden (ca.)

Akustik

A-BEWERTETER SCHALLDRUCKPEGEL	64dB
------------------------------------	------

WICHTIGE SYMBOLE:

Die folgenden Symbole werden am Ladegerät, am Steuerkasten und am Akku verwendet:



Medizinisches elektrisches Gerät, Typ B, gemäß EN 60601-1



Geräte der Klasse 2



Das Ladegerät und der Steuerkasten dürfen nicht als Hausmüll entsorgt werden



Die Akkus dürfen nicht als Hausmüll entsorgt werden.



Die elektronischen Bauteile dürfen nicht als Hausmüll entsorgt werden.



Für den Gebrauch im Haus



ACHTUNG, siehe die beigelegten Unterlagen

WEEE-Registriernummer der Herstellers: WEE/GG0464RZ

11. Garantie

Joerns Healthcare verfügt über ein Netz von autorisierten Fachhändlern und Kundendienstvertretungen, die Ihre Anfragen in Bezug auf Kauf, Garantie, Reparaturen und Wartung gerne beantworten. Wir empfehlen, die Inbetriebnahme unserer Produkte von Ihrem autorisierten Fachhändler oder Ihrer Kundendienstvertretung durchführen zu lassen.

Der Fachhändler oder die Kundendienstvertretung sind für das Garantieprogramm zuständig, deshalb ist es wichtig, dass Sie Namen, Adresse und Telefonnummer notieren, damit Sie sich an diesen bzw. diese wenden können, falls ein Problem auftritt. Wenn Sie sich nicht sicher sind, wo Ihr Patientenlifter gekauft wurde, teilen Sie Joerns Healthcare die Seriennummer des Patientenlifters mit und wir finden den Lieferanten für Sie.

Alle Garantieansprüche sind von der ordnungsgemäßen Benutzung und Wartung gemäß dem Benutzerhandbuch abhängig, das mit allen Patientenliftern mitgeliefert wird. Die Garantie gilt nicht für Schäden, die durch die Benutzung in ungeeigneten Umgebungsbedingungen oder dadurch verursacht wurden, dass die Wartung nicht gemäß dem Benutzer- und Wartungshandbuch durchgeführt wurde. Die Ihnen zustehenden gesetzlichen Rechte bleiben davon unberührt.

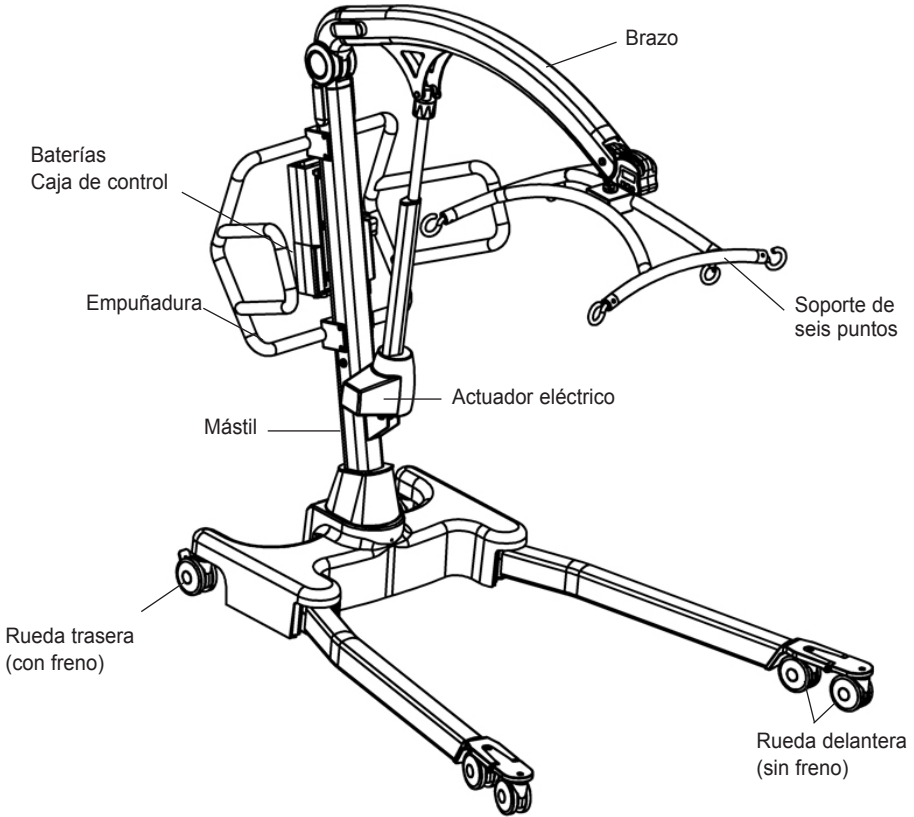
DENKEN SIE DARAN: Wenden Sie sich für Käufe, Reparaturen, Wartung und zertifizierte Wartung immer an Ihren autorisierten Fachhändler oder an Ihre Kundendienstvertretung.

Ihr Vertriebspartner:

Índice

1. El sistema de elevación de pacientes Oxford Calibre	85
2. Introducción: Acerca del sistema de elevación	86
3. Instrucciones de ensamble y encargo	87
4. Precauciones de seguridad.....	92
5. Monitor Smart y control de mano.....	94
6. Instrucciones de uso	98
7. Extracción del sistema de soporte de seis puntos	101
8. Instrucciones de carga	103
9. Programa de mantenimiento y Lista de verificaciones diarias	105
10. Especificaciones técnicas	107
11. Garantía	110

1. El sistema de elevación de pacientes Oxford Calibre



2. Introducción: Acerca del sistema de elevación

Antes de embalar y despachar cada elevador Calibre se lo somete a pruebas de resistencia de carga y recibe los certificados correspondientes.

El embalaje consiste en una robusta caja de cartón de construcción fuerte que se utiliza tanto para mercados de exportación como local a fin de garantizar el arribo seguro del elevador. Junto con cada sistema de elevación, se provee una serie de documentos dentro en una carpeta, la que tendrá que guardar en un sitio seguro para referencia en el futuro.

- CERTIFICADO DE PRUEBAS
- MANUAL DEL USUARIO
- TARJETA DE GARANTÍA DEL DISTRIBUIDOR
- TARJETA DE SATISFACCIÓN DEL CLIENTE
- LISTA DE VERIFICACIÓN DEL EMBALAJE

El CERTIFICADO DE PRUEBAS constituye un documento importante y su registro del seguro lo solicitará. Tiene una validez de seis meses y, tras su fecha de caducidad, deberá llevar el elevador a una verificación, según lo estipulado en el programa de mantenimiento.

Su distribuidor autorizado puede llevar a cabo las tareas de control, mantenimiento y las pruebas periódicas. Compruebe que su sistema de elevación esté incluido en el programa de mantenimiento del distribuidor autorizado. Si no está seguro de los requisitos de mantenimiento de su mercado local, verifíquelos con su distribuidor autorizado o agencia local de gobierno.

La marca de la CE: El sistema Oxford Calibre contiene la marca de la CE y cumple con las siguientes directivas de la CE:



- Directiva sobre Dispositivos médicos (93/42/EEC)
- Directiva sobre CEM (89/336/EEC)
- Directiva sobre bajo voltaje (73/23/EEC)

Uso Indicado

El sistema de elevación Oxford Calibre es un dispositivo de traslado de pacientes pasivos destinado a la elevación y transferencia de pacientes que, para un funcionamiento seguro, admite una carga máxima de 385 kg (850 lbs).

El sistema Oxford Calibre es un dispositivo de elevación de pacientes accionado de manera eléctrica, diseñado para apoyar y promover el manejo y transferencia seguros del paciente, tanto para el individuo que está siendo transportado como para la persona a cargo. El sistema de elevación Oxford Calibre está destinado a USO EXCLUSIVO EN SUPERFICIES CUBIERTAS y requiere dos personas o proveedores de cuidado para su funcionamiento.

El sistema de elevación Oxford Calibre se adapta a pacientes en posición SENTADA, SENTADA Y REOSTADA Y REOSTADA. A continuación citamos ejemplos de arneses adecuados para uso con este dispositivo:

- Oxford Hammock Bariatric (Uso bariátrico) (Carga de trabajo segura: 385 kg (850 lbs))

Vida Útil estimada

La vida útil estimada del sistema de elevación Oxford Calibre es de cinco años (calculada a partir de un uso cotidiano de cinco elevaciones por día). Asimismo, este cálculo se basa en un uso estrictamente de conformidad con el programa de mantenimiento y control como también con las verificaciones diarias, según lo estipulado en esta guía del usuario, y siempre que aquellas tareas de mantenimiento y control las lleve a cabo un ingeniero competente.

3. Instrucciones de ensamble y encargo

Contenido de la caja de cartón

Coloque la caja de cartón sobre una superficie de trabajo despejada y ábrala con cuidado. La caja contiene:

- El ELEVADOR OXFORD CALIBRE
- CONTROL DE MANO
- CABLE DE CARGA
- CARPETA CON DOCUMENTOS
- BATERÍAS
- CARGADOR DE ESCRITORIO/BASE

Herramientas necesarias

Para proceder con el montaje, necesitará las siguientes herramientas:

- Llave de tubo de 13 mm
- Llave dinamométrica

⚠ ADVERTENCIA

Tanto el ensamble como el montaje son tareas que solo deben llevarse a cabo por un ingeniero competente de un agente o distribuidor Oxford autorizado.

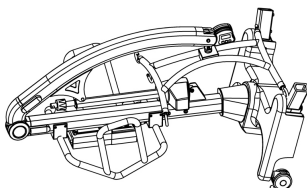
⚠ ADVERTENCIA

PARA DICHAS TAREAS SE NECESITA UN MÍNIMO DE 2 PERSONAS. El sistema de elevación Oxford Calibre es un dispositivo pesado y precisa ser cargado con cuidado. Para extraer el Oxford Calibre del embalaje de cartón necesitará ayuda.

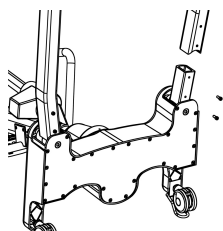
Instrucciones De Montado

Extraiga todas las piezas de la caja y colóquelas sobre el piso; procure proteger el acabado de pintura para que no se dañe.

1. Coloque el ensamble del mástil y la base en una superficie despejada y acomódelo con las ruedas traseras y asa de empuje sobre el piso.



2. Inserte la pata derecha y la izquierda (compruebe colocarlas en la orientación correcta) en el chasis utilizando dos tornillos M10 por pata, según se incluyan.



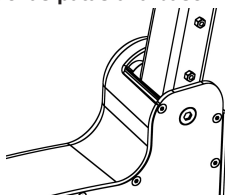
3. Ajuste los tornillos M10 para asegurar cada pata utilizando una llave de tubo y una llave dinamométrica.

⚠ ADVERTENCIA

Compruebe haber ajustado los tornillos de manera firme. Se recomienda aplicar una torsión de 10 Nm

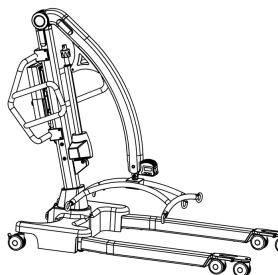
⚠ ADVERTENCIA

Evite atraparse los dedos. Mantenga los dedos alejados del extremo de las patas al insertarlas en el orificio correspondiente. Mantenga los dedos alejados del soporte de la rueda delantera durante el ensamble de las patas a la base.



4. Levante el sistema Calibre sobre las ruedas.

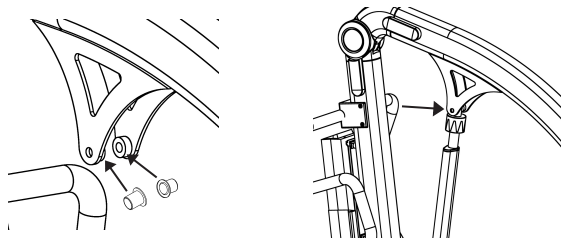
NOTA: Sobre una superficie plana, las 6 ruedas deben estar en contacto con el piso.



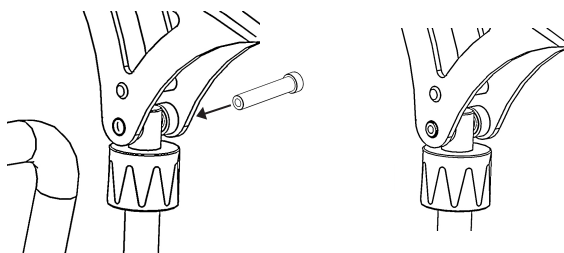
⚠ ADVERTENCIA

El elevador Calibre es un dispositivo extremadamente pesado, que requiere un mínimo de dos personas para levantarlo.

5. Inserte los dos cojinetes en la parte posterior de los soportes de montaje, a cada lado del brazo. Levante el brazo y coloque el actuador de forma tal que el orificio de fijación superior quede alineado con los orificios del soporte de montaje del brazo.



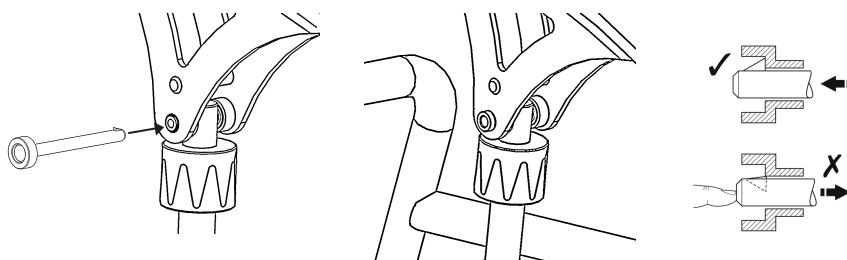
6. Inserte la cubierta del pasador de seguridad en el orificio del actuador y el soporte. Compruebe que dicha cubierta esté totalmente insertada en el orificio de los dos soportes de montaje.



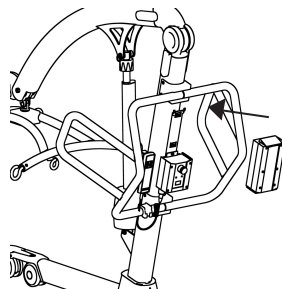
7. Inserte el pasador de seguridad en la cubierta hasta que quede perfectamente insertado.

⚠ ADVERTENCIA

Compruebe que el pasador haya quedado perfectamente insertado empujando para intentar volver a extraerlo.



8. Monte la central eléctrica en el elevador y compruebe que el pestillo que sujeta la caja en su sitio esté perfectamente engranado. Al quedar perfectamente engranado, oirá un "clic". Compruebe que la batería tenga una carga completa.



9. Conecte el dispositivo de mano con la caja de control.

Desmontaje

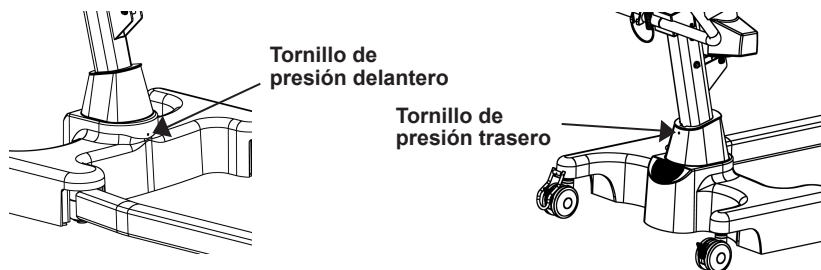
⚠ ADVERTENCIA

El desmontaje es una tarea que solo debe llevarse a cabo por un ingeniero competente de un agente o distribuidor Oxford autorizado.

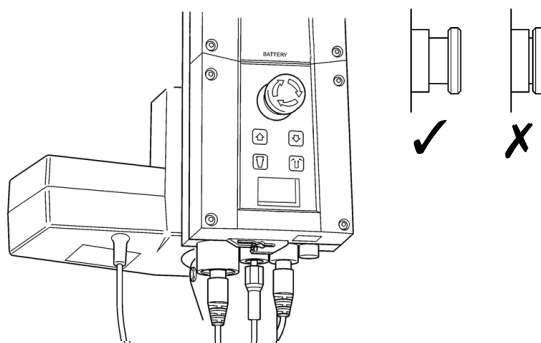
No debe desmontar el elevador a menos que sea por razones de mantenimiento, reparación o transporte, si fuera necesario. Por lo tanto, siga las instrucciones de ensamble y montaje en secuencia inversa.

SIEMPRE VERIFIQUE LOS PASOS SIGUIENTES ANTES DE LA PUESTA EN MARCHA DEL PRODUCTO

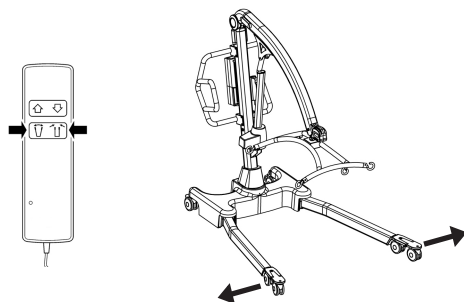
- Que el mástil esté fijo en la posición correcta si los tornillos de presión en la parte anterior y posterior de la base están ajustados firmemente.



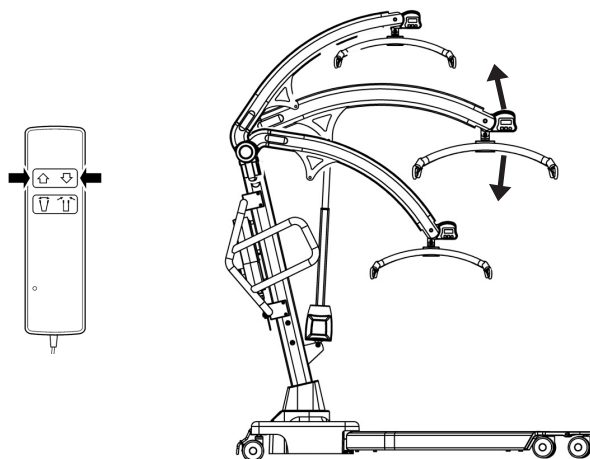
- Que el botón rojo de parada de emergencia, ubicado en la parte posterior de la caja de control, esté en posición APAGADA (hacia fuera).



- Que las patas del elevador abran y cierren de manera correcta (Estas acciones se efectúan desde el control de mano).



- Que al pulsar los botones hacia arriba y hacia abajo del control de mano, confirma que el brazo sube y baja.



4. Precauciones de seguridad

Lea y siga las precauciones de seguridad enumeradas a continuación. El uso y funcionamiento de los sistemas de elevación de pacientes Oxford es simple y sencillo. Si sigue estas precauciones básicas de seguridad, las acciones de elevación y traslado se realizarán de manera sencilla y sin problemas.

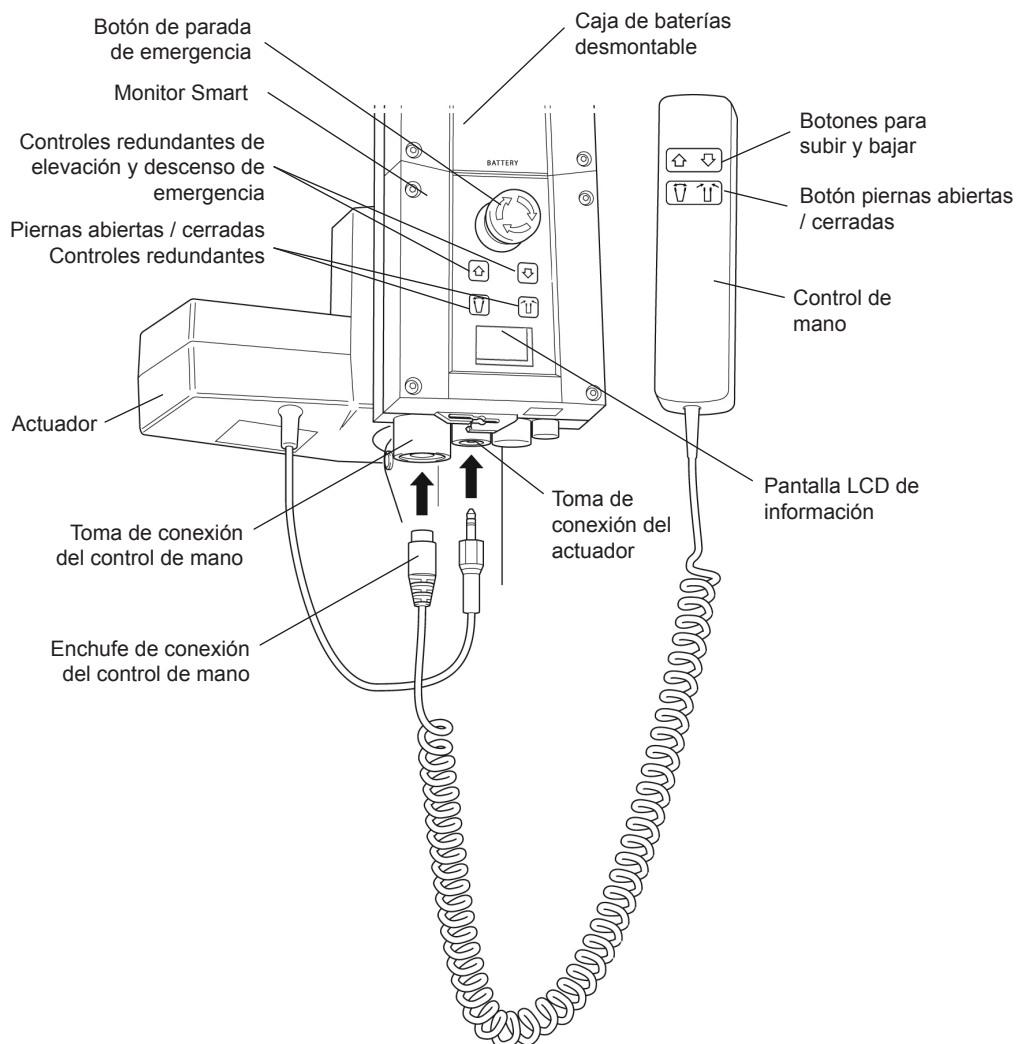
LEA Y COMPRENDA EL MANUAL DE INSTRUCCIONES ANTES DE USAR SU ELEVADOR “CALIBRE”

ADVERTENCIA

- **SIEMPRE** planee las operaciones de elevación antes de comenzar.
- **SIEMPRE** revise la LISTA DE VERIFICACIONES DIARIAS antes de utilizar el elevador.
- Familiarícese **SIEMPRE** con los mandos y los dispositivos de seguridad de su grúa antes de iniciar el proceso de izado del paciente.
- **NO** utilice un arnés, a no ser que esté recomendado para su uso con el elevador.
- Compruebe **SIEMPRE** que el arnés, su tamaño y características son los adecuados para el paciente.
- **No** utilice **NUNCA** un arnés desgastado o deteriorado.
- Ajuste **SIEMPRE** el arnés siguiendo sus instrucciones de uso (instrucciones del usuario).
- Compruebe **SIEMPRE** que la carga útil de seguridad de la grúa se ajusta al peso del paciente.
- Efectúe **SIEMPRE** las operaciones de izado siguiendo las instrucciones detalladas en este manual.
- **No** desconecte **NUNCA** un control o dispositivo de seguridad porque parecen acciones más fáciles para operar el elevador.
- **NO** levante al paciente con los frenos de las ruedas activados. Permita **SIEMPRE** que el elevador encuentre el centro de gravedad correcto.
- **NO** intente desplazar el elevador empujando el mástil, el brazo o al paciente.
- Para moverla, utilice **SIEMPRE** el asa de empuje o del posapiés (almohadilla incluida).
- Antes de proceder al traslado del paciente, se recomienda que éste se encuentre en una posición lo más cercana posible al suelo y cómoda.
- **No** empuje el elevador cargado con el paciente a una velocidad que exceda un paso lento de caminata (no más de 3 Km/h. ó 0,8 m/seg.)

- Utilice SIEMPRE el elevador sobre terreno llano y liso. En especial, si está cargada con el paciente.
- NO intente superar con el elevador un obstáculo del piso.
- No fuerce NUNCA un control o dispositivo de seguridad. Todos los controles son fáciles de utilizar y no requieren de excesiva fuerza física para su accionamiento.
- Procure SIEMPRE un ciclo de trabajo de 22.5 minutos entre una elevación y otra. En caso de no cumplir con el ciclo de trabajo, la vida útil del producto podría verse notablemente reducida.
- NO deje nunca el elevador con el paciente en una superficie inclinada.
- NO utilice el elevador eléctrico en la ducha.
- NO cargue el elevador eléctrico en el cuarto de baño.
- NO utilice la grúa a menos que haya recibido la capacitación correcta y pueda hacerlo de manera efectiva.
- SU elevador es un dispositivo para elevar y trasladar pacientes. NO lo utilice, ni permita que lo utilicen, para otro fin que no sea el de elevación y traslado de pacientes.
- NO golpee el elevador cuando baje escalones, ya sea que estuviese cargado o no.
- NO intente utilizar un elevador cargado en una pendiente que exceda 1:12 (aproximadamente 5 grados).
- NO intente utilizar el elevador en una pendiente a menos que cuente con la asistencia de dos personas o proveedores de cuidado.
- NO utilice el elevador en un ambiente húmedo o corrosivo, como áreas adyacentes a piscinas.
- NO intente utilizar el elevador, ya sea que estuviese cargado o no, a menos que cuente con la asistencia de dos personas o proveedores de cuidado.

5. Monitor Smart y control de mano



Uso destinado

El monitor inteligente, Oxford Smart Monitor, es un sistema de control para los elevadores Oxford Mobile. El monitor inteligente almacena información útil sobre el mantenimiento del elevador disponible para consultar cuando sea necesario. Esta información sobre el mantenimiento incluye:

- Cantidad de ciclos de elevaciones de pacientes
- Total de trabajo ejecutado por el actuador
- Cantidad de sobrecargas de elevación (intentos de elevación por encima de la carga de trabajo máxima permitida)
- Cantidad de días desde el último intervalo de mantenimiento

El monitor Smart Oxford incorpora un microprocesador que permite leer los datos de mantenimiento a través de la pantalla LCD integrada.

Características

- Recopilación de datos en el panel de control con datos visualizados en la pantalla LCD
- Contador de trabajo
- Contador de ciclos inteligente
- Indicador de tareas de mantenimiento
- Indicador de frecuencia de mantenimiento
- Información de sobrecarga
- Indicador de nivel de carga de las baterías de tres pasos


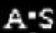
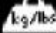

Beneficios

- Mayor seguridad tanto para el paciente como para el proveedor de cuidados
- Datos de mantenimiento precisos con solo tocar un botón
- Vida útil del producto optimizada
- Facilidad para realizar tareas de mantenimiento tanto para ingenieros como para los técnicos

Pantalla LCD

El monitor Smart Oxford incorpora un microprocesador que permite emitir la lectura de los datos de mantenimiento a través de la pantalla LCD integrada. Es posible emitir la lectura de los totales de los ciclos de elevación, los totales de trabajos realizados, de sobrecargas y la cantidad de días desde el último mantenimiento, datos que pueden utilizarse para evaluar el estado de el actuador de elevación de manera fácil y rápida.

Puede acceder a esta información pulsando durante medio segundo el botón "UP" (ARRIBA) del control de mano del usuario o el botón redundante "UP" (ARRIBA) del Monitor inteligente.

	12034	— Total de ciclos de elevación
	1257000	— Total de trabajo ejecutado (Amps * Segundos)
	7	— Cantidad de sobrecargas
	90/180	— Cantidad de días (desde el último mantenimiento) / Cantidad de días (entre mantenimientos)

Información sobre mantenimiento y uso



Cuando es momento de realizar el mantenimiento, aparecerá en la pantalla el símbolo correspondiente al mantenimiento. Además, cuando está activado el control de mano del usuario, el monitor inteligente emitirá una señal sonora para avisar al usuario que se necesita una operación de mantenimiento.

El símbolo de mantenimiento aparecerá cada vez que pulse las teclas hacia arriba o abajo en el control de mano del usuario. Cuando aparezca el símbolo de mantenimiento, póngase en contacto de inmediato con su agente de servicio autorizado para organizar el mantenimiento.

Puede seguir utilizando el elevador durante un breve periodo de tiempo hasta que llevado a cabo el mantenimiento necesario.

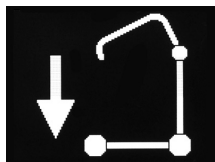


Si el elevador se detiene debido a una sobrecarga (si intenta levantar más peso de la carga máxima segura) aparecerá el símbolo de sobrecarga en la pantalla LCD y el elevador dejará de funcionar hasta que haya eliminado la carga adicional (por encima de la carga máxima segura).

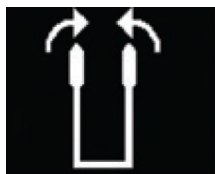
ADVERTENCIA

Si la pantalla LCD del monitor inteligente hubiese registrado una sobrecarga, Joerns Healthcare recomienda que TODAS las tareas diarias de control se lleven a cabo en el elevador antes de su utilización (para obtener una lista de controles diarios, consulte el manual de usuario del elevador). Joerns Healthcare también recomienda que se ponga en contacto con su agente autorizado de servicios Oxford para obtener más orientación.

Controles redundantes integrados

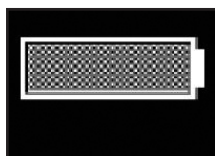


Los controles redundantes integrados permiten que el elevador suba o baje en caso de emergencia.



Si su sistema de elevación incorpora tecnología de posicionamiento de piernas eléctrico, hay controles redundantes tanto para abrir como para cerrar las piernas.

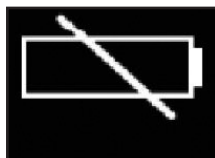
Información sobre la batería



Si aparece el icono de la batería completa, significa que la batería está completamente cargada y lista para usar.



Si aparece el icono de la batería a la mitad, significa que necesita cargar la batería.



Si aparece el icono de la batería vacía, significa que la batería carece de capacidad y debe cargarla de inmediato.

⚠ ADVERTENCIA

A fin de evitar posibles daños permanentes en la batería, debe colocar la batería a cargar en cuanto la pantalla indique el símbolo de la batería a la mitad.

6. Instrucciones de uso

1. Ajuste de las patas

Puede ajustar la anchura de las patas del Oxford Calibre de manera eléctrica. Puede abrir las patas para facilitar el acceso alrededor de un sillón o silla de ruedas. Para transferencias y recorridos por pasillos y aberturas estrechos, las patas del elevador tienen que estar en posición cerrada.

El ajuste eléctrico de las patas se realiza pulsando los botones apropiados del control de mano. Las patas quedarán fijas en su sitio cada vez que suelte el botón del control de mano.

2. Ruedas y frenos

El elevador cuenta con dos ruedas con frenos, los que se pueden aplicar al aparcar. Cada vez que realice una acción de elevación, las ruedas tienen que estar libres, sin los frenos; así el elevador podrá moverse hacia el centro de gravedad de la línea de izado. Si los frenos están activados, entonces será el paciente el que se moverá hacia el centro de gravedad, con la consiguiente incomodidad.

3. Elevación y descenso del brazo

El movimiento del brazo se consigue con un actuador eléctrico controlado por un sencillo control manual. El control manual tiene dos botones con las flechas ARRIBA y ABAJO ↑↓. El actuador se detiene automáticamente al llegar al límite del recorrido de ambas direcciones. El control manual se conecta a su correspondiente enchufe situado bajo la base de la caja de control.

4. Parada de emergencia

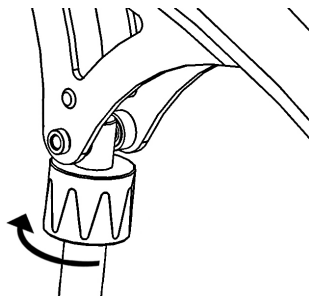
Botón rojo de parada de emergencia está ubicado en la parte frontal de la caja de control y se activa presionándolo. De esta forma, se corta toda la energía suministrada al elevador, que solo se reactivará al girarlo en el sentido contrario a las agujas del reloj y soltándolo.

5. Controles redundantes

Todos los elevadores Oxford están equipados con botones de elevación y descenso en el panel de control. Estos están ubicados debajo del botón de parada de emergencia y se pueden utilizar para bajar o subir al paciente si se produjese un fallo en el control de mano.

6. Descenso mecánico de emergencia

En caso de producirse un fallo eléctrico total, el actuador eléctrico contiene un dispositivo de descenso mecánico activado con muelles (CUBO ROJO). Este dispositivo solo podrá activarse cuando el elevador tenga carga. Para activarlo, tiene que hacerlo girar a mano y soltarlo. Esto producirá un descenso lento. Repita el proceso hasta haber descendido al paciente de manera segura.



⚠ ADVERTENCIA

Si utiliza esta función, tendrá que llevar el elevador con un ingeniero competente, quien debe realizar una verificación general a posteriori.

7. Baterías

Las baterías están protegidas de la descarga completa mediante una ALARMA DE BAJO VOLTAJE. Esta alarma suena cuando las baterías necesitan recarga y se está utilizando el control de mano. No suena independientemente de si se utiliza el control de mano. **NO IGNORE EST ALARMA DE ADVERTENCIA.** Complete la operación de elevación y ponga a recargar la batería (consulte las instrucciones para cargarla).

8. Arnese

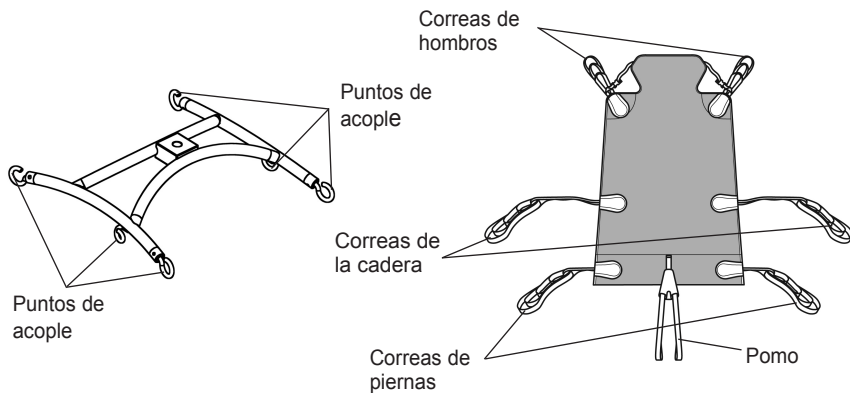
El sistema de elevación Oxford Calibre cuenta con un soporte de seis puntos.

El sistema de seis puntos usa arneses con presillas de cincha, lo que permite el ajuste del posicionamiento seleccionando las presillas de distintos colores.

Arneses de correas con presillas: Bariatric Hammock (de respaldo completo - uso bariátrico)
(Carga segura = 385 kg/ 850 lbs)

El sistema de seis puntos se acopla a los enganches del soporte de seis puntos mediante correas con presillas (tal como se muestra debajo); cada arnés viene con instrucciones incluidas.

Estudie la guía de instrucciones antes de usarlo.



Soporte de seis puntos. Ejemplo de arnés del soporte de seis puntos con presillas de enganche.

NOTA: Para obtener instrucciones de colocación más detalladas, consulte la guía del usuario proporcionada con cada eslinga.

⚠ ADVERTENCIA

Joerns Healthcare recomienda comprobar los arneses regularmente y, en especial, antes del uso por si están deshilachadas o dañadas. **NO** utilice arneses que estén desgastadas o dañadas.

⚠ ADVERTENCIA

OXFORD RECOMIENDA UTILIZAR PRODUCTOS AUTÉNTICOS OXFORD. Los sistemas Oxford de arneses y elevación tienen un diseño que los hace compatibles entre sí. Para obtener información y consejos específicos acerca del uso y compatibilidad de los arneses, consulte la etiqueta del arnés, o bien comuníquese con su distribuidor local de mercado o con Joerns Healthcare.

⚠ ADVERTENCIA

Consulte la capacidad de peso máximo del elevador. La capacidad del arnés está limitada por la capacidad máxima del elevador.

7. Extracción del sistema de soporte de seis puntos

SIGA ESTAS INSTRUCCIONES DE MANERA PUNTUAL

Su elevador Calibre utiliza un soporte de seis puntos. Para extraer este sistema por completo, necesita extraer un pasador de seguridad. Esta acción se realiza de manera rápida y sencilla, pero tiene que leer las siguientes instrucciones de seguridad para asegurarse de que el soporte de seis puntos quede asegurado de manera firme en su sitio.

Conexión

⚠ ADVERTENCIA

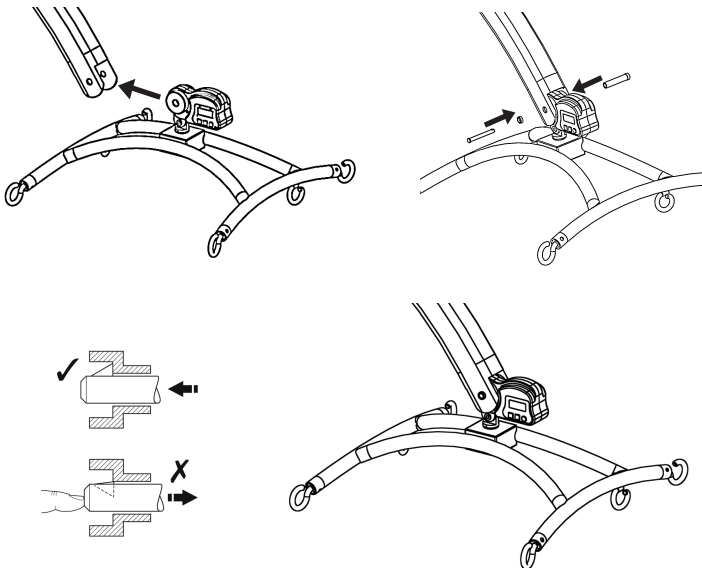
Para la instalación del soporte de seis puntos se requieren dos personas; DE LO CONTRARIO, puede utilizar una mesa de apoyo.

Para conectar, eleve el soporte de seis puntos hacia la ranura del brazo.

Inserte la cubierta del pasador de seguridad por el tapón plástico del extremo a fin de sostener el soporte de seis puntos.

Una vez alineada la ranura del brazo, vuelva a insertar el pasador de seguridad por completo en la cubierta hasta que quede colocado en la posición correcta. **TIENE QUE VERIFICAR QUE EL PASADOR QUEDE FIRMEMENTE ASEGURADO.**

Para ello, ejerza presión con el dedo en el extremo de la lengüeta. Si el pasador permanece inmóvil, es seguro usar el elevador.

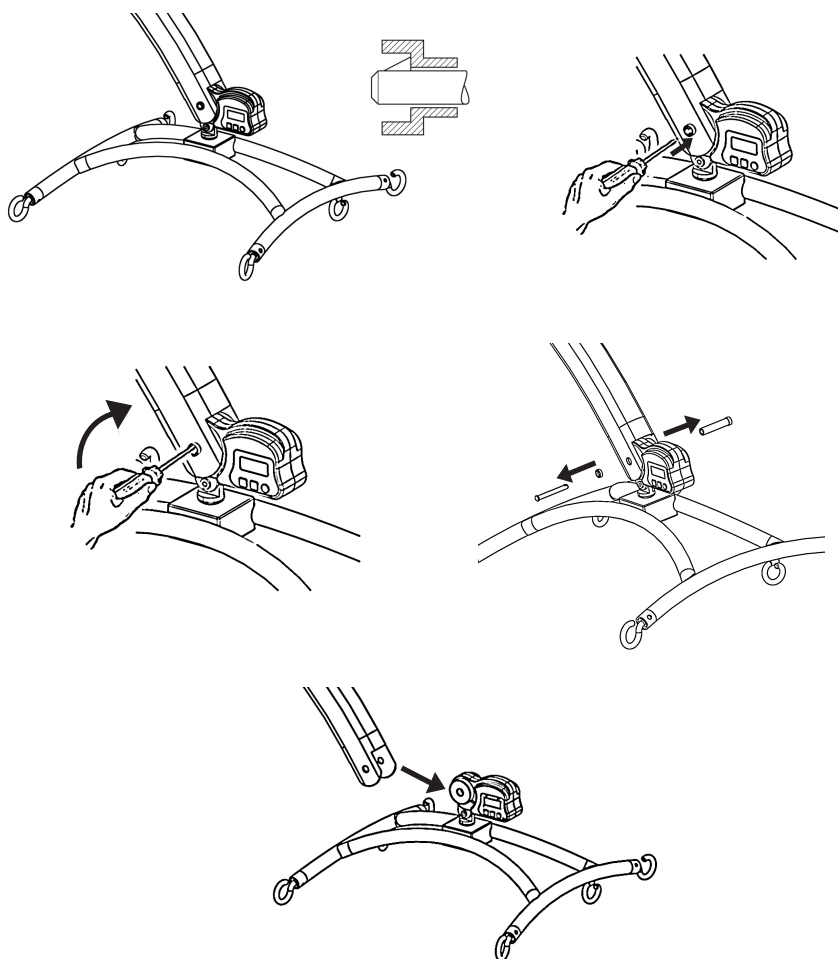


Extracción

PRECAUCIÓN: Asegúrese de sostener el peso del soporte de seis puntos antes de extraer el pasador.

Para extraer el pasador, presione la lengüeta accionada por muelle (utilizando un destornillador eléctrico de punta plana o herramienta similar) y extraiga el pasador.

Sostenga el soporte de seis puntos y, a continuación, tire de la cubierta del pasador en dirección opuesta hasta extraerla totalmente del brazo. Esto permitirá que extraiga el soporte de seis puntos por completo.



8. Instrucciones para la carga

Las baterías están situadas en la unidad de alimentación y se cargan por medio de un cargador de sobremesa.

Cuando haya que cargar la unidad de alimentación, habrá que extraerla del elevador y colocarla en el cargador de sobremesa.

Joerns Healthcare Ltd recomienda comprar una unidad adicional de batería, para tener una de las dos unidades cargada en todo momento.

1. Extraiga la unidad de alimentación del elevador. La unidad de está sujeta con un pestillo simple en la parte superior de la unidad de alimentación. Levante el pestillo y la unidad de alimentación quedará suelta.
2. Coloque la unidad de alimentación en el cargador. La colocación y sujeción de la unidad de alimentación al cargador se realiza por el mismo sistema que el empleado en el elevador.
3. Enchufe el cable del cargador a una fuente de alimentación eléctrica y ponga el conmutador en ON.
4. La carga es automática y las baterías quedarán completamente cargadas en un plazo de ocho a doce horas. **Nota:** Incluso si el cargador se deja enchufado durante mucho tiempo, no permitirá que las baterías se carguen en exceso.
 - a) La luz verde indica el paso de corriente eléctrica.
 - b) La luz amarilla indica que la batería se está cargando.
 - c) Cuando la luz amarilla se apaga, la batería se habrá cargado por completo.

Nota: La carga puede tomar hasta cuatro horas en completarse.
Recomendamos cargar la batería en cuanto la reciba.

5. Para volver a poner en funcionamiento el elevador, desconecte de la red poniendo el conmutador en OFF y retire la unidad de alimentación del cargador. Coloque la unidad de alimentación de nuevo en el elevador y asegúrese de que el pestillo que la sujeta está completamente cerrado. Cuando esté correctamente colocada, oír un "clic". La carga del elevador eléctrico Oxford es sencilla y no tienen por qué surgir complicaciones, pero es importante seguir rigurosamente las instrucciones de carga. Preste especial atención a los siguientes aspectos; le ayudará a evitar los problemas que supone la descarga de las baterías.

ADVERTENCIA

- La batería, el cargador, el control de mano y la caja de control **NO** deben ser abiertos por personal no autorizado. (Comuníquese con el distribuidor por reparaciones y reclamos de la garantía).
- **NO** toque las terminales de la batería ni el cargador.
- **MANTENGA** las baterías completamente cargadas. Ponga la batería a cargar siempre que no esté utilizando el dispositivo. Si le resultase más práctico, póngala a cargar durante la noche. El cargador no permitirá que las baterías se sobrecarguen.
- **NUNCA** permita que las baterías se gasten por completo. No bien suene la alarma de advertencia, complete la operación de elevación y ponga a cargar la batería.
- A fin de evitar posibles daños permanentes en la batería, debe colocar la batería a cargar en cuanto la pantalla indique el símbolo de la batería a la mitad.

- **NUNCA** almacene la batería durante largos períodos de tiempo sin realizar cargas periódicas durante el periodo de desuso.
- **SIEMPRE** compruebe que la toma del cargador a la red de suministro eléctrico esté apagada antes de conectar o desconectar la batería.
- **NUNCA** deje la batería conectada con la toma del cargador a la red de suministro eléctrico apagada.
- **NO** deje el cargador encendido con la batería desconectada.
- **NO** use el elevador mientras carga la batería.
- **COMPRUEBE** que el elevador no se esté cargando antes de desplazarlo, ya que podría dañar la conexión eléctrica.
- **NUNCA** desconecte la toma del cargador tirando del cable.
- **PROCURE** no tropezar con el cable del cargador.
- **NO** cargue el elevador eléctrico en el cuarto de baño.

9. Programa de mantenimiento y Lista de verificaciones diarias

Todos los productos Oxford están diseñados para precisar el menor mantenimiento posible; sin embargo, son necesarios algunos controles y revisiones de seguridad. Recomendamos que se efectúen DIARIAMENTE las siguientes verificaciones. Las verificaciones diarias, junto con una inspección de mantenimiento y prueba semestral, permiten que conserve que el elevador en condiciones óptimas de funcionamiento y seguridad. Si la solicita, le enviaremos una lista de piezas de repuesto disponibles.

La PRUEBA DE CARGA y certificación solo pueden llevarse a cabo por personal calificado, o un agente o distribuidor de mantenimiento autorizado.

LISTA DE VERIFICACIONES DIARIAS: Joerns Healthcare recomienda llevar a cabo las siguientes verificaciones con una frecuencia diaria antes de utilizar el elevador.

- ASEGÚRESE de que las ruedas del elevador se mueven con normalidad.
- ASEGÚRESE de que el soporte de seis puntos gira y se balancea con libertad de movimientos.
- EXAMINE y COMPRUEBE que el soporte de seis puntos está firmemente sujeto al brazo.
- COMPRUEBE que los amarres y ganchos del arnés del soporte de seis puntos no presentan signos de desgaste excesivo.
- ASEGÚRESE de que las patas se abren y cierran con total normalidad.
- ACCIONE el control de mano para comprobar que el brazo sube y baja de manera correcta.
- COMPRUEBE el buen funcionamiento del botón de parada de emergencia.
- EXAMINE los arneses para determinar si se ha producido un desgaste excesivo. NO utilice los arneses si detecta signos de daños o desgaste.
- CONFIRME que no suene la alarma de baja batería del elevador cuando acciona el control de mano. Si sonase la alarma, NO use el dispositivo y ponga a cargar las baterías.
- ASEGÚRESE de que los puntos de conexión del actuador estén seguros.

Mantenimiento, Inspeccion Y Prueba

Joerns Healthcare recomienda llevar a cabo una inspección exhaustiva y pruebas del sistema de elevación, accesorios, arneses, balanza, etc. del Oxford Calibre con una frecuencia regular. La frecuencia de las inspecciones varía dependiendo de la localidad, de manera que debe hacer las averiguaciones pertinentes con su distribuidor o agencia local de gobierno, según corresponda, en lo que respecta a la frecuencia con que se requieren las inspecciones y verificaciones. Las pruebas deben llevarse a cabo según las recomendaciones y procedimientos descritos en este manual. Joerns Healthcare recomienda que solo agentes o distribuidores autorizados efectúen las tareas correspondientes de mantenimiento, inspección y pruebas con certificado.

NOTA: Estas recomendaciones cumplen con los requisitos de la normativa de 1998, N° 2307, sobre Salud y Seguridad: Regulaciones sobre operaciones para levantar pacientes y equipos de elevación. Esta es una normativa que rige en el Reino Unido. Fuera del Reino Unido, compruebe cuáles son los requisitos de su ente oficial.

ESTAS VERIFICACIONES DEBEN INCLUIR:

	Inicialmente	Antes del uso	Intervalos de servicio
1. SOPORTE DE SEIS PUNTOS: Compruebe que el soporte de seis puntos gira y se balancea con libertad de movimientos. Compruebe que el punto de giro central no presente signos de desgaste. Compruebe que el soporte esté acoplado de manera segura al brazo.	✓	✓	✓
2. BRAZO: Verifique el acople del brazo al mástil. Asegúrese de que el movimiento hacia los lados del brazo principal sea mínimo y de que el brazo rote libremente en el rodamiento. Compruebe también que las piezas superiores de fijación del actuador estén seguras.	✓	✓	✓
3. MÁSTIL: Verifique el funcionamiento del dispositivo de fijación del mástil. Asegúrese de que el mástil se inserta correctamente en el encaje. Verifique las piezas inferiores de fijación del actuador.	✓	✓	✓
4. ACTUADOR: Esta pieza no requiere mantenimiento, excepto la verificación del funcionamiento correcto y la atención ante ruidos inusuales.			✓
5. MONITOR SMART: Compruebe el buen funcionamiento del botón de parada de emergencia. Compruebe que la toma del control de mano esté en perfecto estado. Verifique que el control de mano funciona correctamente. Verifique los controles redundantes y confirme que funcionan correctamente.	✓	✓	✓
6. BATERÍAS: Las baterías están alojadas en la caja porta baterías y no requiere mantenimiento, excepto la carga frecuente tal como se detalla en las instrucciones de carga. Compruebe que las conexiones se conservan limpias.			✓
7. CIERRE Y APERTURA DE PATAS: Compruebe que las patas funcionan hasta los límites máximos de extensión (hacia dentro y fuera).	✓	✓	✓
8. RUEDAS: Compruebe que todas las ruedas encajan firmemente en las patas. Verifique la rotación sin impedimento de todas las ruedas.	✓	✓	✓
9. LIMPIEZA: Lave el producto con jabón común y agua, y/o desinfectante para superficies sólidas. Evite el uso de limpiadores químicos o abrasivos, ya que pueden afectar el acabado de la superficie del elevador. Evite el contacto de las piezas eléctricas con el agua.		✓	✓
10. PRUEBA DE CARGA: La prueba de carga debe llevarse a cabo de conformidad con los procedimientos de prueba del fabricante. Se recomienda enfáticamente que la prueba sea realizada por un agente de servicio autorizado.			✓
11. BASE Y RUEDAS: Asegúrese de que la base esté pareja y nivelada (las cuatro ruedas deben estar en contacto con el piso).	✓	✓	✓
12. ARNESES: Compruebe que no existe desgaste o daño.	✓	✓	✓
13. LUBRICACIÓN: Lubrique las bisagras de pivote, incluyendo las conexiones entre el mástil y el brazo principal, las piezas del pedal, la bisagra del soporte de seis puntos (solo si es necesario).			✓
14. CONTROL DE MANO: Compruebe que esté correctamente conectado al control.	✓	✓	
15. PASADOR DE SEGURIDAD: Compruebe que el pasador esté completamente insertado antes de proceder con la elevación, presionando el extremo con la lengüeta sobre el actuador y el soporte de seis puntos	✓	✓	
16. PIEZAS DE FIJACIÓN: Compruebe que las tuercas, pernos, tornillos y anclajes no presenten signos de desgaste excesivo y estén firmemente asegurados. Sustituya cuando sea necesario.			✓

10. Especificaciones Técnicas

Carga de trabajo segura estipulada	850 lbs	385 kg
Largo total máximo.....	71 pulg	1805 mm
Largo total mínimo.....	68.5 pulg	1740 mm
Altura total máxima.....	87 pulg	2210 mm
Altura total mínima	62 pulg	1575 mm
Altura máxima del soporte de seis puntos	73 pulg	1855 mm
Altura mínima del soporte de seis puntos.....	25.5 pulg	650 mm
Altura máxima al punto de acople.....	68 pulg	1730 mm
Altura mínima al punto de acople	22.5 pulg	570 mm
Acople a altura mínima	28.5 pulg	725 mm
Acople máximo*	32.5 pulg	825 mm
Radio de giro	77 pulg	1960 mm
Patas abiertas - Anchura externa	56 pulg	1420 mm
Patas abiertas - Anchura interna.....	49 pulg	1245 mm
Patas cerradas - Anchura externa	35 pulg	885 mm
Patas cerradas - Anchura interna	27.5 pulg	700 mm
Altura total de las patas.....	5 pulg	130 mm
Distancia del reposapiés al suelo.....	0,75 pulg	20 mm
Par de ruedas delanteras.....	4 pulg	100 mm
Par de ruedas traseras con freno	4 pulg	100 mm

* Acople = centro del soporte de seis puntos al frente del mástil

Pesos

Mástil, base y brazo principal.....	240 lbs	109 kg
(incl. soporte de seis puntos)		
Central eléctrica	6,6 lbs	3 kg
Total.....	246,6 lbs	112 kg
Soporte de seis puntos	20 lbs	9 kg

Todas las medidas tienen un grado de tolerancia de +5/-5 grados.

Especificaciones Eléctricas

BATERÍAS.....Selladas y recargables de plomo-ácido de 24 voltios

CAPACIDAD DE BATERÍAS:.....3,2 Ah

ENTRADA MEDIDA DEL CARGADOR230 V CA 50/60 Hz

SALIDA MEDIDA DEL CARGADOR.....27,4/ 29,0 V CC a 0,8 A

Protección contra descarga eléctrica

CARGADOR.....CLASE II

ELEVADOR.....FUENTE DE ENERGÍA INTERNA

Grado de protección contra descarga eléctrica

CARGADOR.....TIPO B

ELEVADOR.....TIPO B

Condiciones Ambientales

Al aire libre, la funcionalidad y seguridad especificadas pueden verse comprometidas.

Rango de temperatura y humedad

TEMPERATURA>+5°C a <+40°C

HUMEDAD RELATIVA.....20% a 90% a 30°C (no condensada)

Almacenamiento

TEMPERATURA>-10°C a <+50°C

HUMEDAD RELATIVA.....20% a 90% a 30°C (no condensada)

PRESIÓN ATMOSFÉRICA700 - 1060 Hpa

CLASIFICACIONES IP

Caja de controlIPX4

ACTUADORIPX6

CARGADOR EXTERNOIPX5

BATERÍAIPX5

CONTROL DE MANOIPX5

Ciclos de trabajo

ACTUADOR10% (2 min. / 18 min.)

CARGADOR.....4 horas (aprox.)

Acústica

NIVEL DE POTENCIA DE SONIDO (ESCALA PONDERACIÓN A) 64 dB

EXPLICACIÓN DE LOS SÍMBOLOS:

Los signos enunciados a continuación se utilizan en el cargador, la unidad de control y la batería:



Equipo de tipo B, según EN 60601-1



Equipo de clase



El cargador y la unidad de control no deben desecharse junto con los residuos domésticos



La batería no debe desecharse junto con los residuos domésticos.



Las piezas de electrónica no deben desecharse junto con los residuos domésticos



Para uso en interiores solamente



ATENCIÓN: consulte los documentos adjuntos

11. Garantía

Joerns Healthcare cuenta con una red establecida de distribuidores autorizados y agentes técnicos que estarán gustosos de responder a todas sus inquietudes respecto a la adquisición, garantía, reparación y mantenimiento de los productos. Se recomienda que un distribuidor autorizado o agente técnico encarguen nuestros productos.

El distribuidor o representante opera el Programa de la garantía; de manera que es importante conservar el nombre, dirección y teléfono para poder establecer contacto en caso de que surja algún problema. Si tiene dudas acerca del lugar de compra del elevador, Joerns Healthcare puede ubicar al proveedor si usted cita el número de serie del producto.

Todas las reclamaciones respecto de la garantía están sujetas a la correcta utilización y mantenimiento del producto, de acuerdo con el manual de instrucciones suministrado con cada elevador. La garantía pierde validez ante cualquier daño causado por el uso en condiciones ambientales inadecuadas o por falta de mantenimiento del producto según las instrucciones de mantenimiento para el usuario. Sus derechos legales no se verán afectados.

RECUERDE: Póngase en contacto con su distribuidor autorizado o agente técnico por adquisiciones, reparaciones, servicio y mantenimiento certificados.

Su distribuidor:

